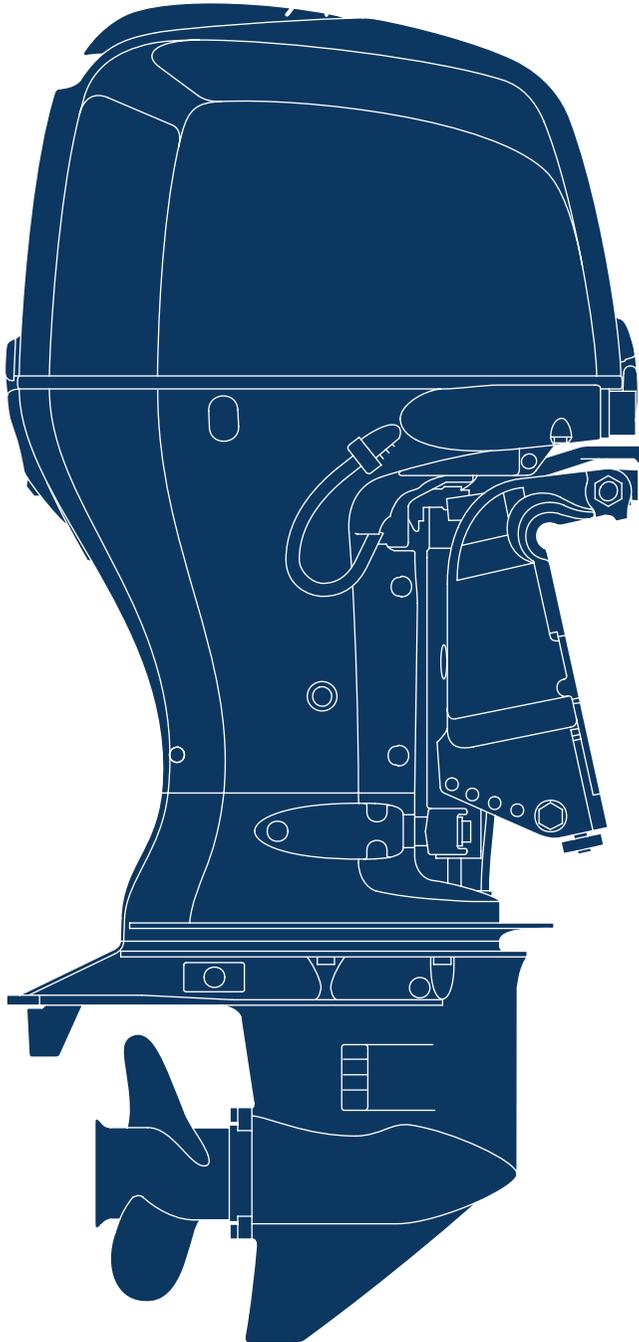


# 2017 PARTS CATALOG



**TOHATSU**



**BFT 75A**  
**BFT 90A**

**OB NO.002-14ZY9-0AG**  
**1610US**



# Instruction for use of parts catalogue

- **This parts catalogue was prepared based on the latest information available as of October 1, 2016.**
- See the Service Bulletin for any revision that is made after October 1, 2016.
- **Always specify the part number when ordering a part.**
  - Check the model, type, serial numbers, color, maker, and the size as needed before ordering a part.
  - Note that the illustrations (part drawings) can differ from the actual parts in shape.  
Illustrations are given just to help you to refer to the parts.
- **When modifications or additions to this parts catalogue are made, a revised edition will be issued at an appropriate time, with successively progressing revision numbers on the cover. We recommend obtaining such revisions in order to keep your parts catalogue up-to-date at all times.**

**Initial version issue date October 1, 2016**

## CONTENTS

E-1	CYLINDER HEAD COVER .....	1
E-2	CYLINDER HEAD .....	3
E-3	CYLINDER BLOCK .....	7
E-5	OIL PUMP .....	11
E-6	OIL CASE .....	13
E-7	CRANKSHAFT/PISTON/FLYWHEEL .....	15
E-9	CAMSHAFT/VALVE/BELT .....	19
E-9-10	CHAIN CASE/THARMOSTAT .....	23
E-14	INLET MANIFOLD/INJECTOR .....	25
E-15	SILENCER CASE/THROTTLE BODY .....	27
E-18	FUEL PUMP .....	29
E-18-10	WATER SEPARATOR .....	31
E-18-20	VAPOR SEPARATOR .....	33
E-19	A.C. GENERATOR .....	37
E-20	PLUG TOP COIL .....	39
E-20-10	ELECTRONIC CONTROL UNIT .....	41
E-21	STARTER MOTOR .....	43
F-2	SHIFT SHAFT .....	45
F-3	EXTENSION CASE .....	49
F-3-10	GEAR CASE .....	53
F-3-20	GEAR CASE ASSY. ....	57
F-3-30	MOUNT CASE .....	59
F-4	WATER PUMP/VERTICAL SHAFT .....	61
F-5	PROPELLER SHAFT .....	65
F-6	FUEL TUBE .....	69
F-7	MAIN WIRE HARNESS .....	71
F-7-10	STARTER CABLE .....	73
F-7-20	ELECTRONIC PARTS CASE .....	75
F-7-30	A.C. GENERATOR COVER .....	77
F-8	ENGINE COVER/UNDER COVER .....	79
F-10	STERN BRACKET/SWIVEL CASE .....	83
F-11	POWER TRIM-TILT .....	89
F-12	LABEL .....	93
F-13	TOOL .....	95
F-15	REMOTE CONTROL(HI-LEX) (HANDLE CAP = GRAY) .....	97
F-15-1	REMOTE CONTROL(PANEL MOUNT) .....	103
F-15-2	REMOTE CONTROL(NHK MEC) (HANDLE CAP = CHROME) .....	107
FOP-3	IMPELLER PUMP KIT .....	113
FOP-4	REMOTE CONTROL(TOP MOUNT SINGLE TYPE) (RIGHT) .....	115
FOP-4-2	REMOTE CONTROL(TOP MOUNT DUAL TYPE) (RIGHT) .....	119
FOP-4-4	REMOTE CONTROL(FLUSH MOUNT TYPE) (RIGHT) .....	123
FOP-6	SWITCH PANEL KIT(1) .....	125
FOP-6-1	SWITCH PANEL KIT(2) .....	129
FOP-7	METER .....	131
FOP-8	PROPELLER .....	133
FOP-9	BOLT KIT .....	135
FOP-10	STEERING HANDLE KIT .....	137
FOP-11	INTERFACE CABLE KIT .....	145
FOP-12	TROLLING CONTROL SWITCH .....	147
INDEX .....		149
INDEX (Parts Number) .....		155

# How to refer to the part information

## A. Reference with "Illustrated index"

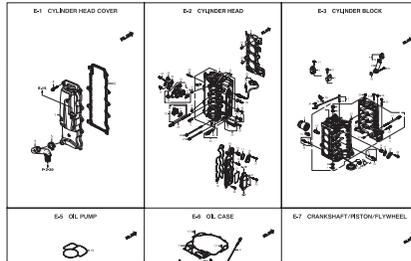


Fig. Number

Ref. Number/Part Number/Parts Name

**E-2 CYLINDER HEAD**

Ref.No.	Part No.	Description	Q'ty	REMARKS
E-2	H2V-1115-000	METAL ANODE	2	2
E-2	HPV-1100-300	GUIDE IN VALVE(G)	8	8
E-2	HPV-1220-300	GUIDE EX VALVE(G)	8	8
E-2	HPV-1221-004	SEAL A. VALVE STEM(IN)	8	8
E-2	HPV-1221-003A	HEAD COMP. CYLINDER	1	1 *HHS DARK GRAY
E-2	HPV-1221-004	SEAL B. VALVE STEM(IN)	8	8
E-2	H0V-1221-010	BOLT SEALING EMM	2	2
E-2	H2V-1221-010	GASKET COMP. CYLINDER HEAD	1	1
E-2	HPV-1402-010	MOTION COMP. LOST	4	4
E-2	H2Z-1810-002A	VALVE ASSY. SPOOL	1	1 *HHS DARK GRAY
E-2	HRA-1810-002	FILTER ASSY. SPOOL VALVE	1	1
E-2	H2V-1810-000	COVER ASSY. OIL PATH	1	1
E-2	H2V-1811-000	LIFTER FUEL PUMP	1	1
E-2	H2V-1890-000	CLAMP B. FUEL TUBE	1	1
E-2	H2V-1800-000	THERMOSTAT ASSY.	1	1
E-2	H0V-1910-000	COVER THERMOSTAT	1	1
E-2	H0V-1921-000	CHENG. THERMOSTAT COVER	1	1
E-2	H2V-1931-010	COVER WATER JACKET	1	1
E-2	H2V-1931-000	PACKING EX. WATER JACKET	1	1
E-2	H2V-1931-000	PACKING, REGULATOR	1	1
E-2	H2V-1931-000	RECTIFIER ASSY. REGULATOR	1	1
E-2	H2V-2010-000	BRACKET D. HARNESS CLIP	1	1
E-2	H2V-2005-001	SENSOR OXYGEN	1	1
E-2	H2V-2417-000	SENSOR ASSY. WATER	1	1 TEMPERATURE
E-2	H2V-2405-000	SENSOR ASSY. TDO	1	1
E-2	HPV-3000-000	BOLT *MAGNET 3010	10	10
E-2	H2V-3001-000	BOLT FLANGE. EX10	1	1
E-2	H2V-3001-000	BOLT FLANGE. EX110	1	1
E-2	H2V-3001-000	BOLT FLANGE. EX16	1	1

## B. Reference with "Parts number index"

INDEX (Parts Number)			
102415540	1515	10448850	116295
104811140	47	10448850	116296
104809750	50	10441174	11821
104809750	91	10441174	11822
104809750	917	10442114	11813
104809750	918	10441174	11814
104809750	940	10441174	11815
104809750	940	10441174	11816
104809750	940	10441174	11817
104809750	940	10441174	11818
104809750	940	10441174	11819
104809750	940	10441174	11820
104809750	940	10441174	11821
104809750	940	10441174	11822
104809750	940	10441174	11823
104809750	940	10441174	11824
104809750	940	10441174	11825
104809750	940	10441174	11826
104809750	940	10441174	11827
104809750	940	10441174	11828
104809750	940	10441174	11829
104809750	940	10441174	11830
104809750	940	10441174	11831
104809750	940	10441174	11832
104809750	940	10441174	11833
104809750	940	10441174	11834
104809750	940	10441174	11835
104809750	940	10441174	11836
104809750	940	10441174	11837
104809750	940	10441174	11838
104809750	940	10441174	11839
104809750	940	10441174	11840
104809750	940	10441174	11841
104809750	940	10441174	11842
104809750	940	10441174	11843
104809750	940	10441174	11844
104809750	940	10441174	11845
104809750	940	10441174	11846
104809750	940	10441174	11847
104809750	940	10441174	11848
104809750	940	10441174	11849
104809750	940	10441174	11850
104809750	940	10441174	11851
104809750	940	10441174	11852
104809750	940	10441174	11853
104809750	940	10441174	11854
104809750	940	10441174	11855
104809750	940	10441174	11856
104809750	940	10441174	11857
104809750	940	10441174	11858
104809750	940	10441174	11859
104809750	940	10441174	11860
104809750	940	10441174	11861
104809750	940	10441174	11862
104809750	940	10441174	11863
104809750	940	10441174	11864
104809750	940	10441174	11865
104809750	940	10441174	11866
104809750	940	10441174	11867
104809750	940	10441174	11868
104809750	940	10441174	11869
104809750	940	10441174	11870
104809750	940	10441174	11871
104809750	940	10441174	11872
104809750	940	10441174	11873
104809750	940	10441174	11874
104809750	940	10441174	11875
104809750	940	10441174	11876
104809750	940	10441174	11877
104809750	940	10441174	11878
104809750	940	10441174	11879
104809750	940	10441174	11880
104809750	940	10441174	11881
104809750	940	10441174	11882
104809750	940	10441174	11883
104809750	940	10441174	11884
104809750	940	10441174	11885
104809750	940	10441174	11886
104809750	940	10441174	11887
104809750	940	10441174	11888
104809750	940	10441174	11889
104809750	940	10441174	11890
104809750	940	10441174	11891
104809750	940	10441174	11892
104809750	940	10441174	11893
104809750	940	10441174	11894
104809750	940	10441174	11895
104809750	940	10441174	11896
104809750	940	10441174	11897
104809750	940	10441174	11898
104809750	940	10441174	11899
104809750	940	10441174	11900

## C. Reference with "Parts name index"

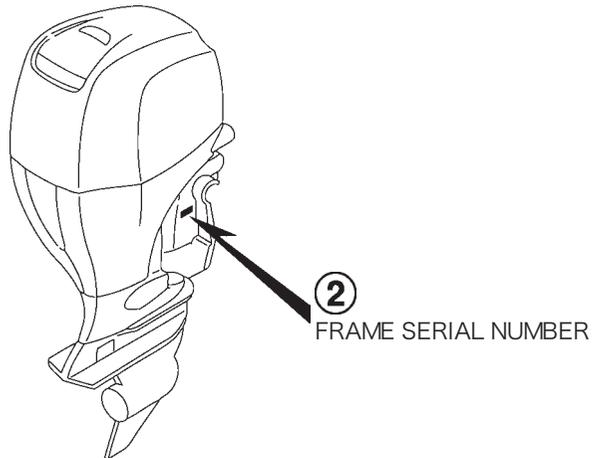
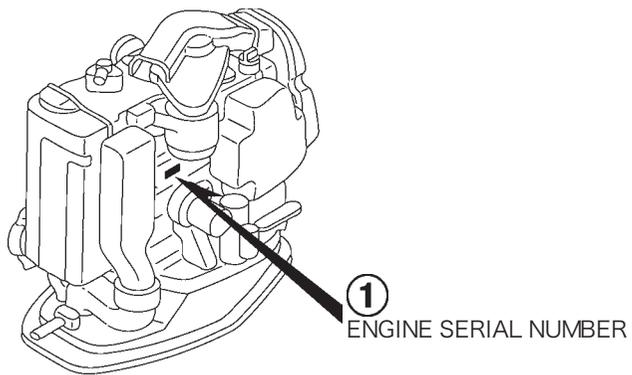
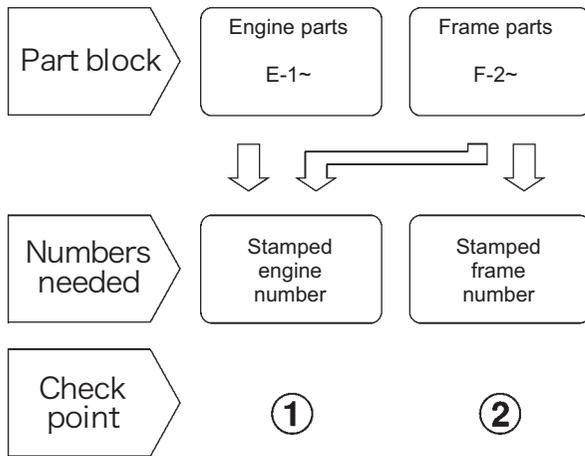
INDEX			
ANODE	1515	BOLT	1000
ADJUSTING NUT	2148	BOLT	1001
ADJUSTING SCREW	26	BOLT	1002
ADJUSTING SCREW	1512	BOLT	1003
BEARING	540	BOLT	1004
BEARING ASSY	547	BOLT	1005
ALTERNATOR ASSY	62	BOLT	1006
ANODE	1514	BOLT	1007
ANODE	1514	BOLT	1008
ANODE FLANGE	155	BOLT	1009
ARMOR	1046	BOLT	1010
ARMOR CORE(BLU-200)	2149	BOLT	1011
ARMOR CORE(BLU-100)	2149	BOLT	1012
ARMOR CORE(BLU-100)	2149	BOLT	1013
ARMOR CORE(BLU-100)	2149	BOLT	1014
ARMOR CORE(BLU-100)	2149	BOLT	1015
ARMOR CORE(BLU-100)	2149	BOLT	1016
ARMOR CORE(BLU-100)	2149	BOLT	1017
ARMOR CORE(BLU-100)	2149	BOLT	1018
ARMOR CORE(BLU-100)	2149	BOLT	1019
ARMOR CORE(BLU-100)	2149	BOLT	1020
ARMOR CORE(BLU-100)	2149	BOLT	1021
ARMOR CORE(BLU-100)	2149	BOLT	1022
ARMOR CORE(BLU-100)	2149	BOLT	1023
ARMOR CORE(BLU-100)	2149	BOLT	1024
ARMOR CORE(BLU-100)	2149	BOLT	1025
ARMOR CORE(BLU-100)	2149	BOLT	1026
ARMOR CORE(BLU-100)	2149	BOLT	1027
ARMOR CORE(BLU-100)	2149	BOLT	1028
ARMOR CORE(BLU-100)	2149	BOLT	1029
ARMOR CORE(BLU-100)	2149	BOLT	1030
ARMOR CORE(BLU-100)	2149	BOLT	1031
ARMOR CORE(BLU-100)	2149	BOLT	1032
ARMOR CORE(BLU-100)	2149	BOLT	1033
ARMOR CORE(BLU-100)	2149	BOLT	1034
ARMOR CORE(BLU-100)	2149	BOLT	1035
ARMOR CORE(BLU-100)	2149	BOLT	1036
ARMOR CORE(BLU-100)	2149	BOLT	1037
ARMOR CORE(BLU-100)	2149	BOLT	1038
ARMOR CORE(BLU-100)	2149	BOLT	1039
ARMOR CORE(BLU-100)	2149	BOLT	1040
ARMOR CORE(BLU-100)	2149	BOLT	1041
ARMOR CORE(BLU-100)	2149	BOLT	1042
ARMOR CORE(BLU-100)	2149	BOLT	1043
ARMOR CORE(BLU-100)	2149	BOLT	1044
ARMOR CORE(BLU-100)	2149	BOLT	1045
ARMOR CORE(BLU-100)	2149	BOLT	1046
ARMOR CORE(BLU-100)	2149	BOLT	1047
ARMOR CORE(BLU-100)	2149	BOLT	1048
ARMOR CORE(BLU-100)	2149	BOLT	1049
ARMOR CORE(BLU-100)	2149	BOLT	1050
ARMOR CORE(BLU-100)	2149	BOLT	1051
ARMOR CORE(BLU-100)	2149	BOLT	1052
ARMOR CORE(BLU-100)	2149	BOLT	1053
ARMOR CORE(BLU-100)	2149	BOLT	1054
ARMOR CORE(BLU-100)	2149	BOLT	1055
ARMOR CORE(BLU-100)	2149	BOLT	1056
ARMOR CORE(BLU-100)	2149	BOLT	1057
ARMOR CORE(BLU-100)	2149	BOLT	1058
ARMOR CORE(BLU-100)	2149	BOLT	1059
ARMOR CORE(BLU-100)	2149	BOLT	1060
ARMOR CORE(BLU-100)	2149	BOLT	1061
ARMOR CORE(BLU-100)	2149	BOLT	1062
ARMOR CORE(BLU-100)	2149	BOLT	1063
ARMOR CORE(BLU-100)	2149	BOLT	1064
ARMOR CORE(BLU-100)	2149	BOLT	1065
ARMOR CORE(BLU-100)	2149	BOLT	1066
ARMOR CORE(BLU-100)	2149	BOLT	1067
ARMOR CORE(BLU-100)	2149	BOLT	1068
ARMOR CORE(BLU-100)	2149	BOLT	1069
ARMOR CORE(BLU-100)	2149	BOLT	1070
ARMOR CORE(BLU-100)	2149	BOLT	1071
ARMOR CORE(BLU-100)	2149	BOLT	1072
ARMOR CORE(BLU-100)	2149	BOLT	1073
ARMOR CORE(BLU-100)	2149	BOLT	1074
ARMOR CORE(BLU-100)	2149	BOLT	1075
ARMOR CORE(BLU-100)	2149	BOLT	1076
ARMOR CORE(BLU-100)	2149	BOLT	1077
ARMOR CORE(BLU-100)	2149	BOLT	1078
ARMOR CORE(BLU-100)	2149	BOLT	1079
ARMOR CORE(BLU-100)	2149	BOLT	1080
ARMOR CORE(BLU-100)	2149	BOLT	1081
ARMOR CORE(BLU-100)	2149	BOLT	1082
ARMOR CORE(BLU-100)	2149	BOLT	1083
ARMOR CORE(BLU-100)	2149	BOLT	1084
ARMOR CORE(BLU-100)	2149	BOLT	1085
ARMOR CORE(BLU-100)	2149	BOLT	1086
ARMOR CORE(BLU-100)	2149	BOLT	1087
ARMOR CORE(BLU-100)	2149	BOLT	1088
ARMOR CORE(BLU-100)	2149	BOLT	1089
ARMOR CORE(BLU-100)	2149	BOLT	1090
ARMOR CORE(BLU-100)	2149	BOLT	1091
ARMOR CORE(BLU-100)	2149	BOLT	1092
ARMOR CORE(BLU-100)	2149	BOLT	1093
ARMOR CORE(BLU-100)	2149	BOLT	1094
ARMOR CORE(BLU-100)	2149	BOLT	1095
ARMOR CORE(BLU-100)	2149	BOLT	1096
ARMOR CORE(BLU-100)	2149	BOLT	1097
ARMOR CORE(BLU-100)	2149	BOLT	1098
ARMOR CORE(BLU-100)	2149	BOLT	1099
ARMOR CORE(BLU-100)	2149	BOLT	1100

# Part catalogue structure

Ref.No.	Part No.	Description	Q. ty	REMARKS
E-2	HDVH1211E-000	METAL ANGLE	2	2
E-2	HFUJ1220P-005	GUIDE IN VALVE(S)	8	8
E-2	HFUJ1220E-005	GUIDE EX VALVE(S)	8	8
E-2	HFJ112210-004	SEAL A VALVE STEM(NK)	8	8
E-2	HDYH1221H-002A	HEAD COMP, CYLINDER	1	1 H#KH DARK GRAY
E-2	HFJ212211-004	SEAL B VALVE STEM(NK)	8	8
E-2	HQWH1221H-010	BOLT SEALING 20MM	2	2
E-2	HDYH1221H-010	GASKET COMP, CYLINDER HEAD	1	1
E-2	HFZM1440-013	MOTION COMP, LOST	1	4
E-2	HZZP1310-002A	VALVE ASSY, SPOOL	1	1 H#KH DARK GRAY
E-2	HRM-1315-002	FILTER ASSY, SPOOL VALVE	1	1
E-2	HDYH1315-000	COVER ASSY, OIL PATH	1	1
E-2	HDYH1317-000	LFTER FUEL PUMP	1	1
E-2	HDYH1319-002	CLAMP B. FUEL TUBE	1	1
E-2	HDYH1330-002	THERMOSTAT ASSY	1	1
E-2	HQWH1331-000	COVER THERMOSTAT	1	1
E-2	HQWH1331-000	O-RING THERMOSTAT COVER	1	1
E-2	HDYH1331-010	COVER WATER JACKET	1	1
E-2	HDYH1331-000	PACKING EX WATER JACKET	1	1 COVER
E-2	HDYH1335-002	RECTIFIER ASSY, REGULATOR	1	1
E-2	HDYH1335-000	PACKING REGULATOR	1	1
E-2	HDYH1331-000	BRACKET B. HARNESS CLIP	1	1
E-2	HDYH1335-000	SENSOR OXYGEN	1	1
E-2	HDYH1337-002	SENSOR ASSY, WATER	1	1 TEMPERATURE
E-2	HDYH1339-002	SENSOR ASSY, TDC	1	1
E-2	HPWA1333-002	BOLT WASHER 8X155	10	10
E-2	HDYH1335-000	BOLT FLANGE 8X95	1	1
E-2	HDYH1335-000	BOLT FLANGE 8X110	1	1
E-2	HDYH1335-000	BOLT FLANGE 8X11	1	1

- ① Fig. Number
- ② Fig. Title
- ③ Ref. Number
- ④ Parts Number
- ⑤ Parts Name
- ⑥ Q.ty
- ⑦ Remarks
- ⑧ Defferent specification
- ⑨ Direction Arrow
- ⑩ Parts enclosed within a dotted line are sub assembly parts.
- ⑪ A solid arrow indicates the block No. the part in question is connected to.

# How to check the part block and serial numbers



## Models, parts catalogue codes and applicable serial numbers

- Models, parts catalogue codes and applicable serial Nos. given in this parts catalogue can be identified as follows.

Model	Type	Parts catalogue type	Engine		Applicable engine serial No.	Applicable frame serial No.
			Model	Type		
BFT 75A	LRTA	LRTA	BF 75DK3	SE	BEBAJ-1200001~	BBAJ-6000066~
BFT 90A	LRTA	LRTA	BF 90DK4		BEBCJ-1200001~	BBCJ-6000168~
	XRTA	XRTA				

### Features of each type

- See the following table for the features of each type. (Items in brackets are optional)

Specifications		Model	BFT 75DK3	
		Type	LRTA	
Transom height	537 mm		●	
Remote control			(●)	
Fuel tank			(●)	

Specifications		Model	BFT 90DK4	
		Type	LRTA	XRTA
Transom height	537 mm		●	
	664 mm			●
Remote control			(●)	(●)
Fuel tank			(●)	(●)

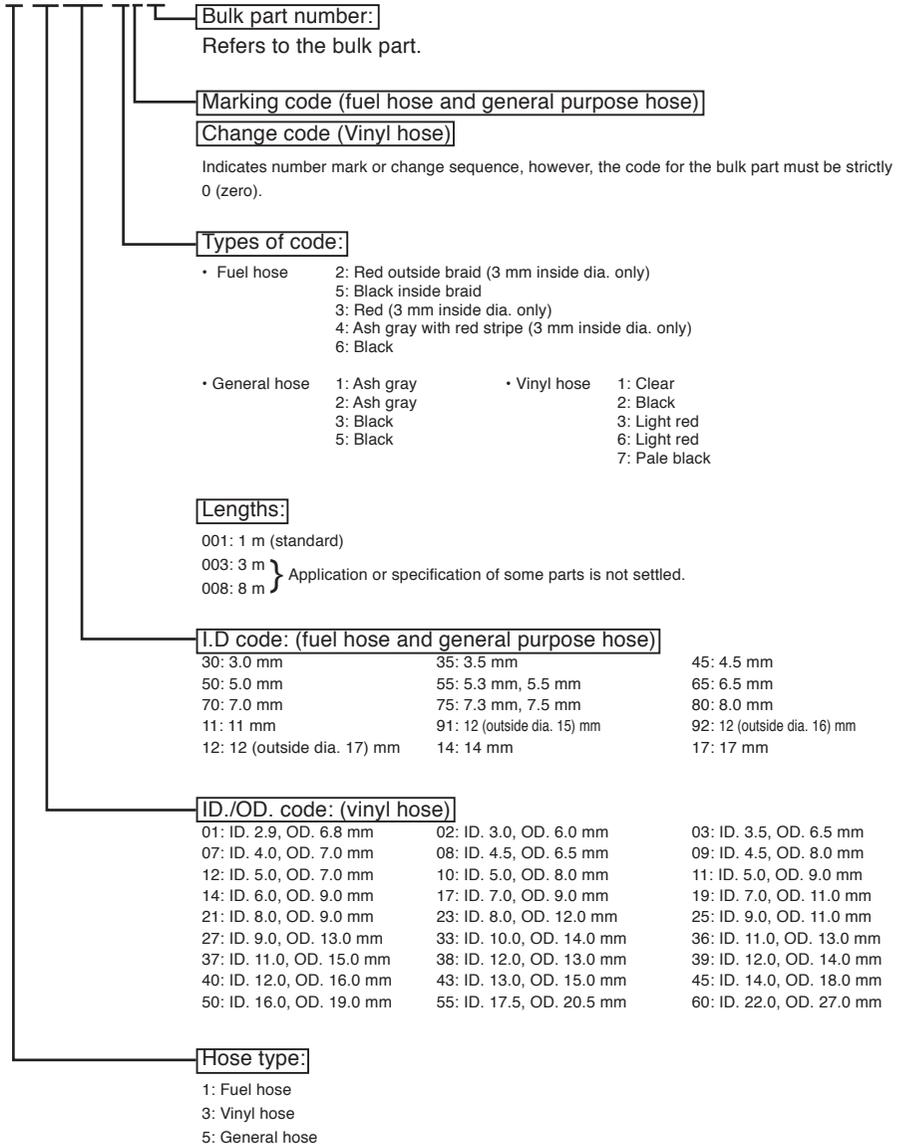


# Fuel hose, general purpose hoses and vinyl hose

- The standard part fuel hose, general purpose hose and vinyl hose may be substituted by the coiled bulk part.
- When ordering the standard part fuel hose, general purpose hose and vinyl hose use the bulk part number written in the parts catalog in brackets ( ) underneath the part name.
- When exchanging the hose, cut and use at the specified length as mentioned in the part name. (For the method of cutting the bulk part, and method of filling out orders etc., please refer to the instructions issued with the bulk part.)

## Bulk part number of fuel hose, general purpose hose and vinyl hose.

Example: 95001-75001-50M

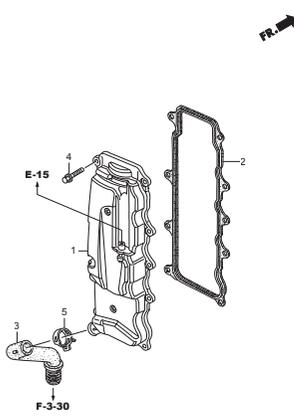


## CAUTION: It is DANGEROUS to confuse the fuel hose with the general purpose hose or vinyl hose.

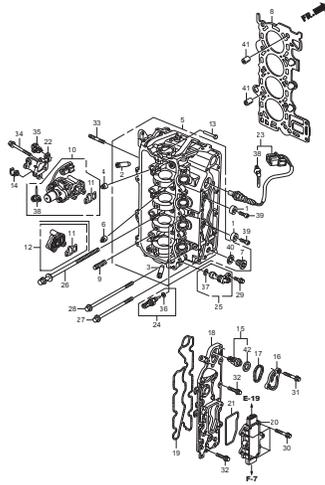
Never use a general purpose hose or vinyl hose in place of a fuel hose or vice versa.

Always use the correct bulk part in the parts catalogue, according to the service manual or the instructions issued with the bulk part.

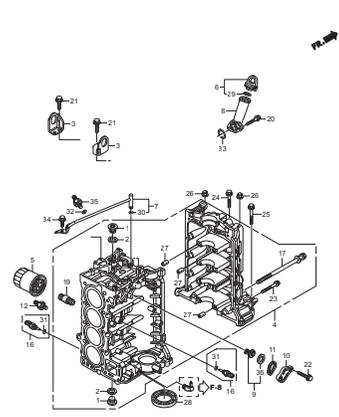
E-1 CYLINDER HEAD COVER



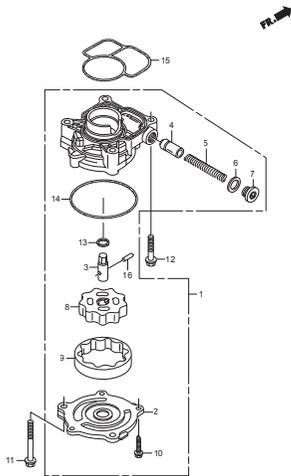
E-2 CYLINDER HEAD



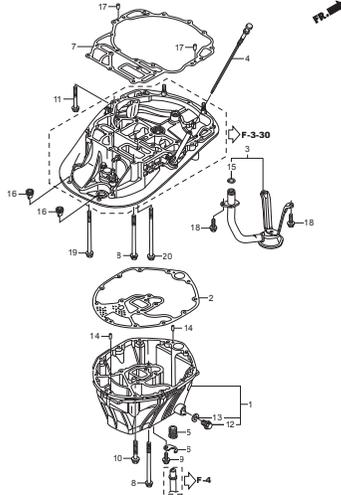
E-3 CYLINDER BLOCK



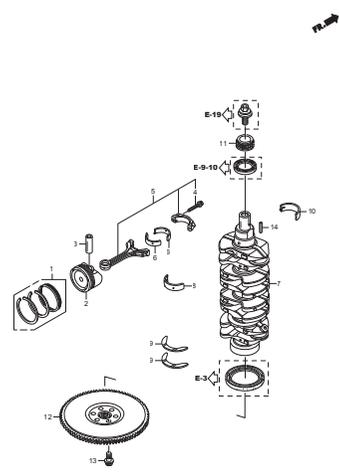
E-5 OIL PUMP



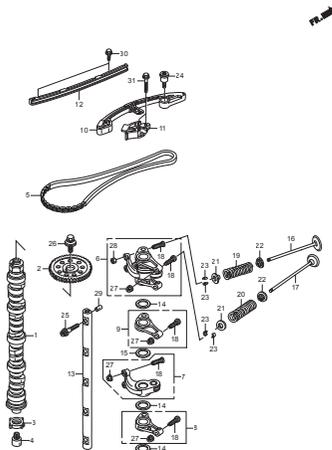
E-6 OIL CASE



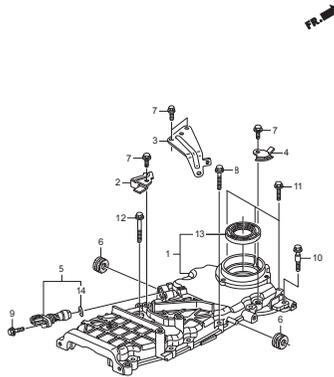
E-7 CRANKSHAFT/PISTON/FLYWHEEL



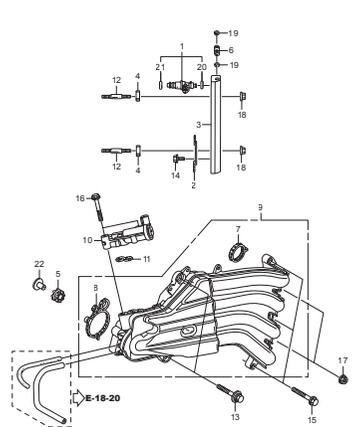
E-9 CAMSHAFT/VALVE/BELT



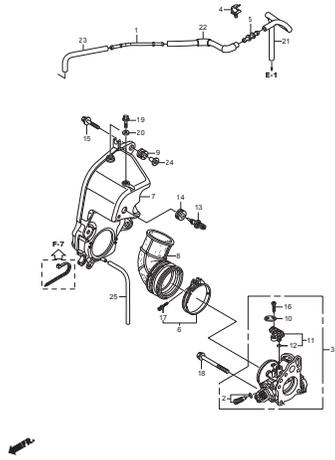
E-9-10 CHAIN CASE



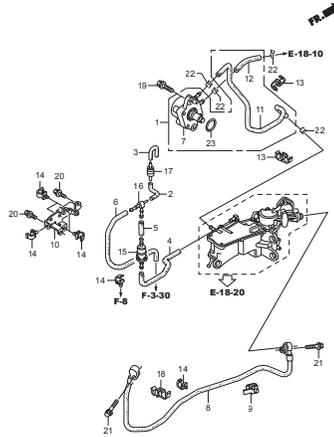
E-14 INLET MANIFOLD/INJECTOR



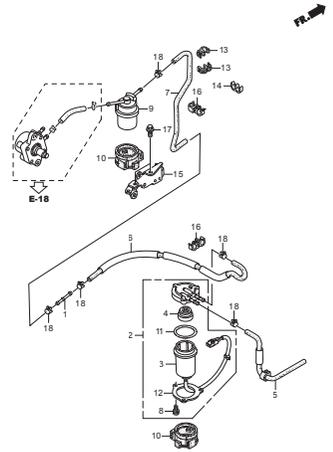
E-15 SILENCER CASE/THROTTLE BODY



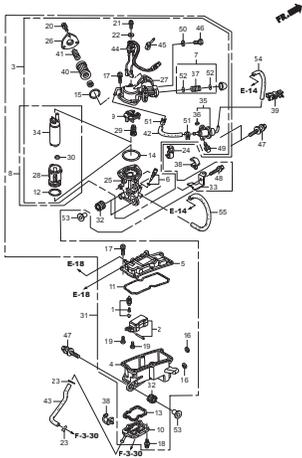
E-18 FUEL PUMP



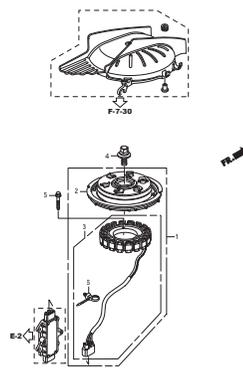
E-18-10 WATER SEPARATOR



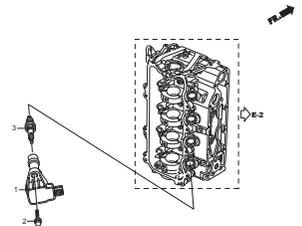
E-18-20 VAPOR SEPARATOR



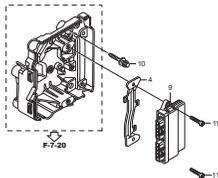
E-19 A.C. GENERATOR



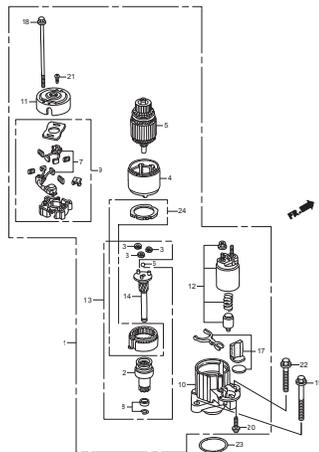
E-20 PLUG TOP COIL



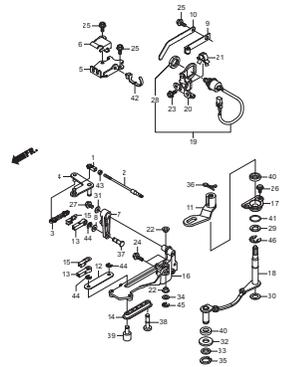
E-20-10 ELECTRONIC CONTROL UNIT



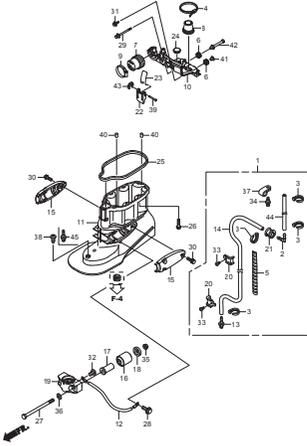
E-21 STARTER MOTOR



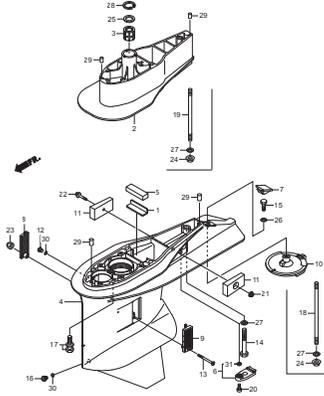
F-2 SHIFT SHAFT



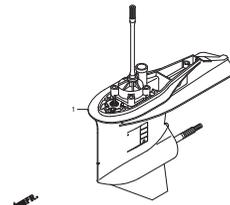
F-3 EXTENSION CASE



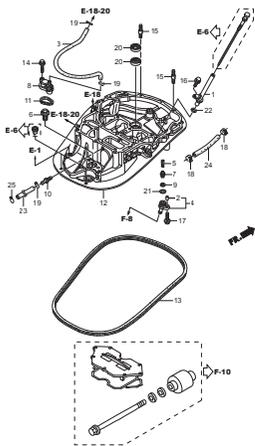
F-3-10 GEAR CASE



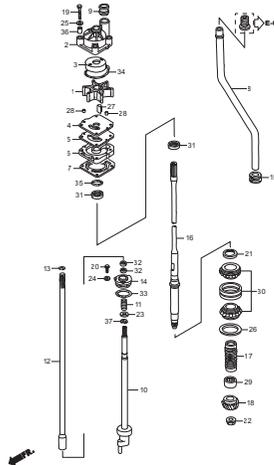
F-3-20 GEAR CASE ASSY.



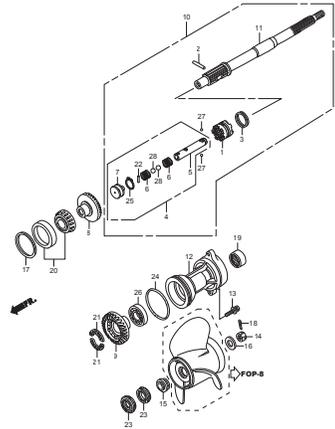
F-3-30 MOUNT CASE



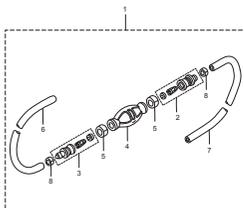
F-4 WATER PUMP/VERTICAL SHAFT



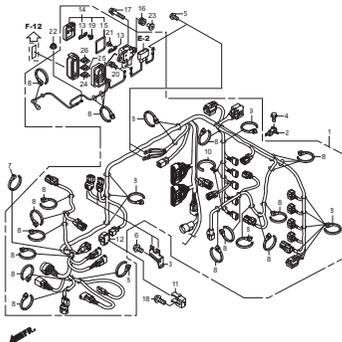
F-5 PROPELLER SHAFT



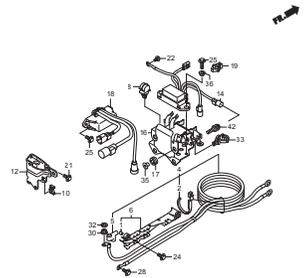
F-6 FUEL TUBE



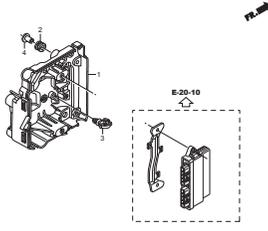
F-7 MAIN WIRE HARNESS



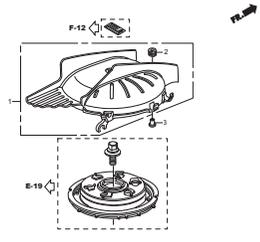
F-7-10 STARTER CABLE



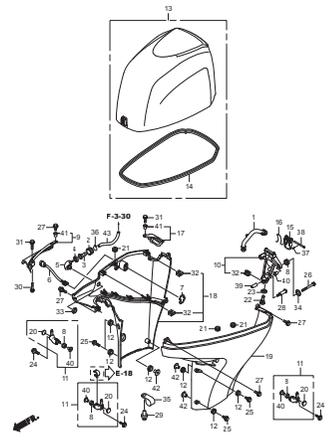
F-7-20 ELECTRONIC PARTS CASE



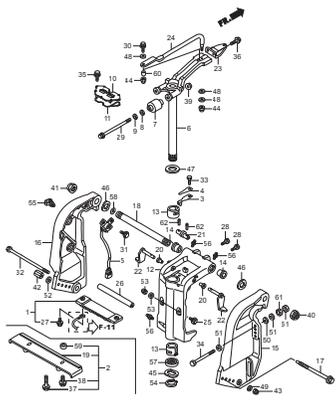
F-7-30 A.C. GENERATOR COVER



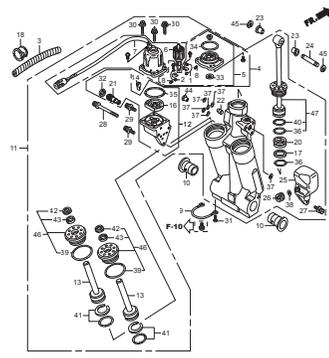
F-8 ENGINE COVER/UNDER COVER



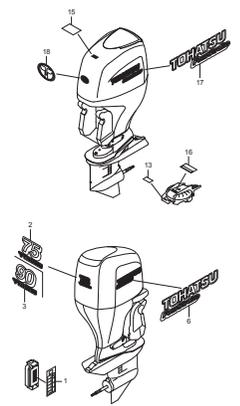
F-10 STERN BRACKET/SWIVEL CASE



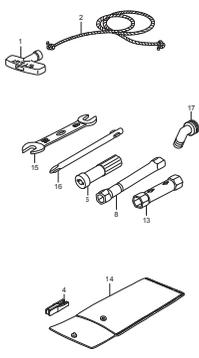
F-11 POWER TRIM-TILT



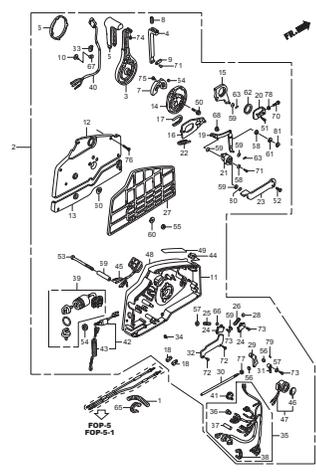
F-12 LABEL



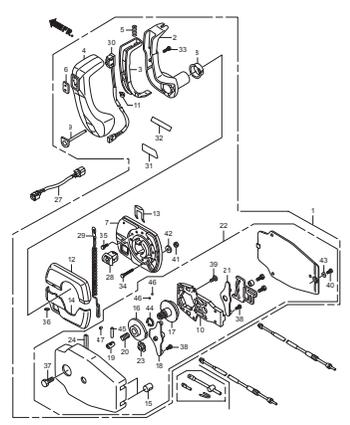
F-13 TOOL



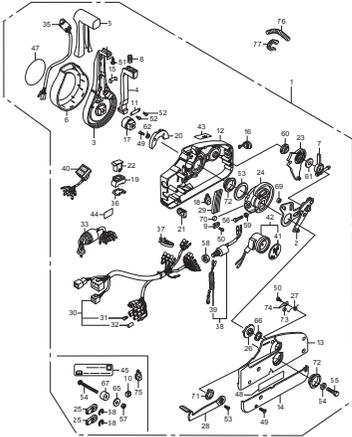
F-15 REMOTE CONTROL(HI-LEX)  
(HANDLE CAP = GRAY)



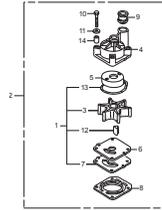
F-15-1 REMOTE CONTROL  
(PANEL MOUNT)



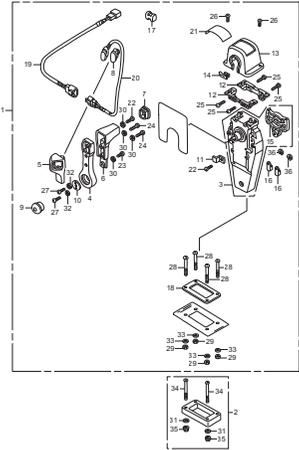
**F-15-2 REMOTE CONTROL(NHK MEC)  
(HANDLE CAP = CHROME)**



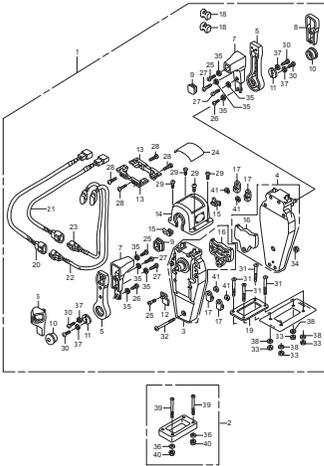
**FOP-3 IMPELLER PUMP KIT**



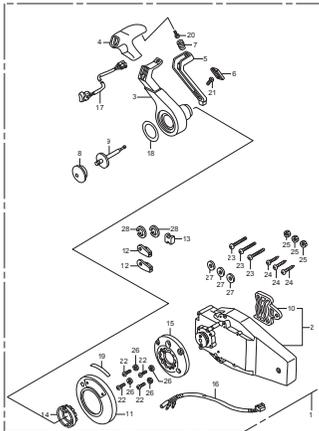
**FOP-4 REMOTE CONTROL(TOP MOUNT  
SINGLE TYPE)(RIGHT)**



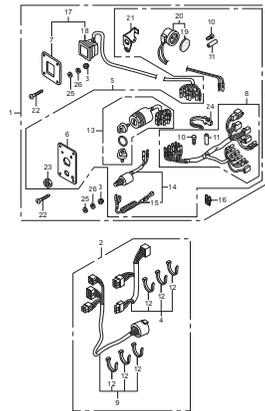
**FOP-4-2 REMOTE CONTROL(TOP MOUNT  
DUAL TYPE)(RIGHT)**



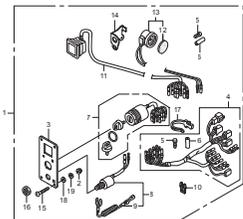
**FOP-4-4 REMOTE CONTROL(FLUSH MOUNT  
TYPE)(RIGHT)**



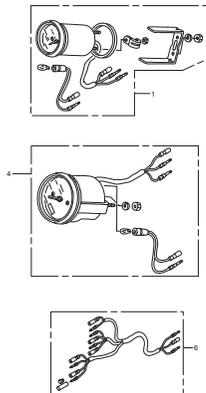
**FOP-6 SWITCH PANEL KIT(1)**



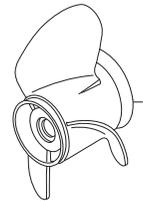
**FOP-6-1 SWITCH PANEL KIT(2)**



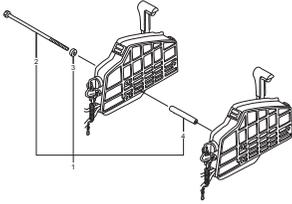
**FOP-7 METER**



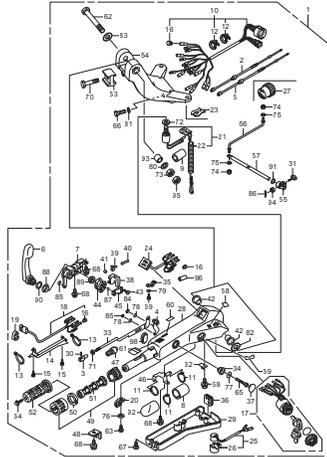
**FOP-8 PROPELLER**



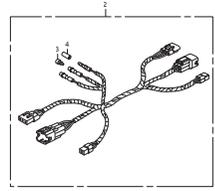
FOP-9 BOLT KIT



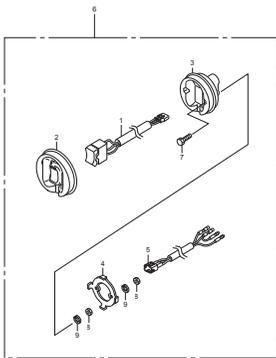
FOP-10 STEERING HANDLE KIT

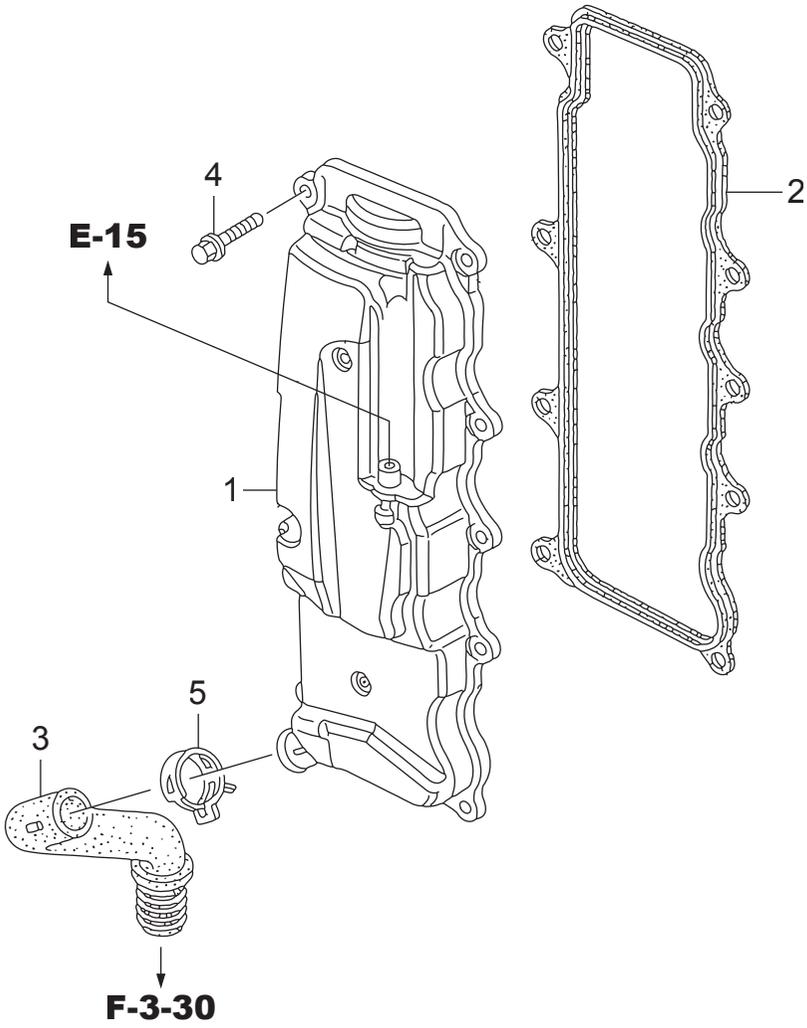


FOP-11 INTERFACE CABLE KIT



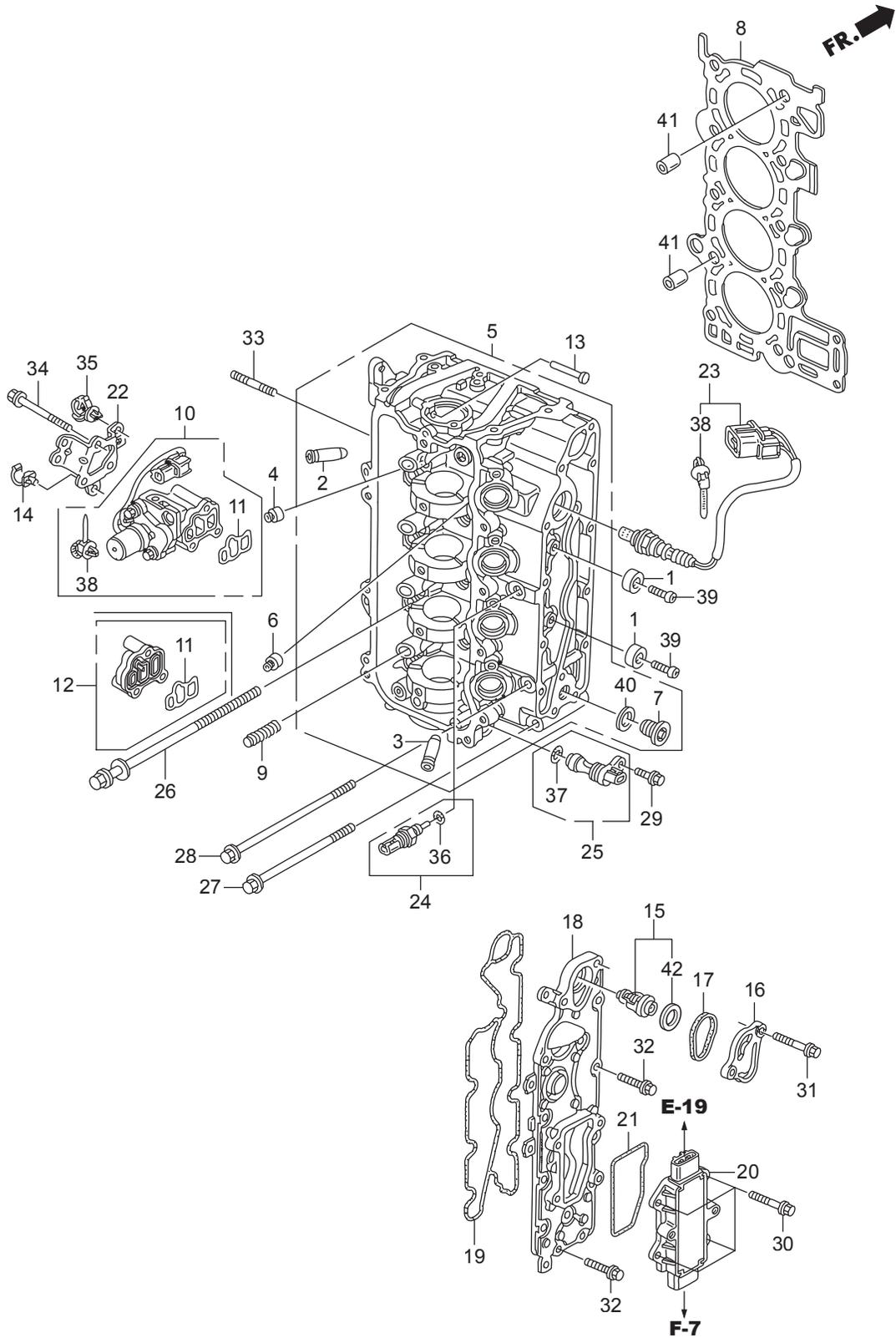
FOP-12 TROLLING CONTROL SWITCH



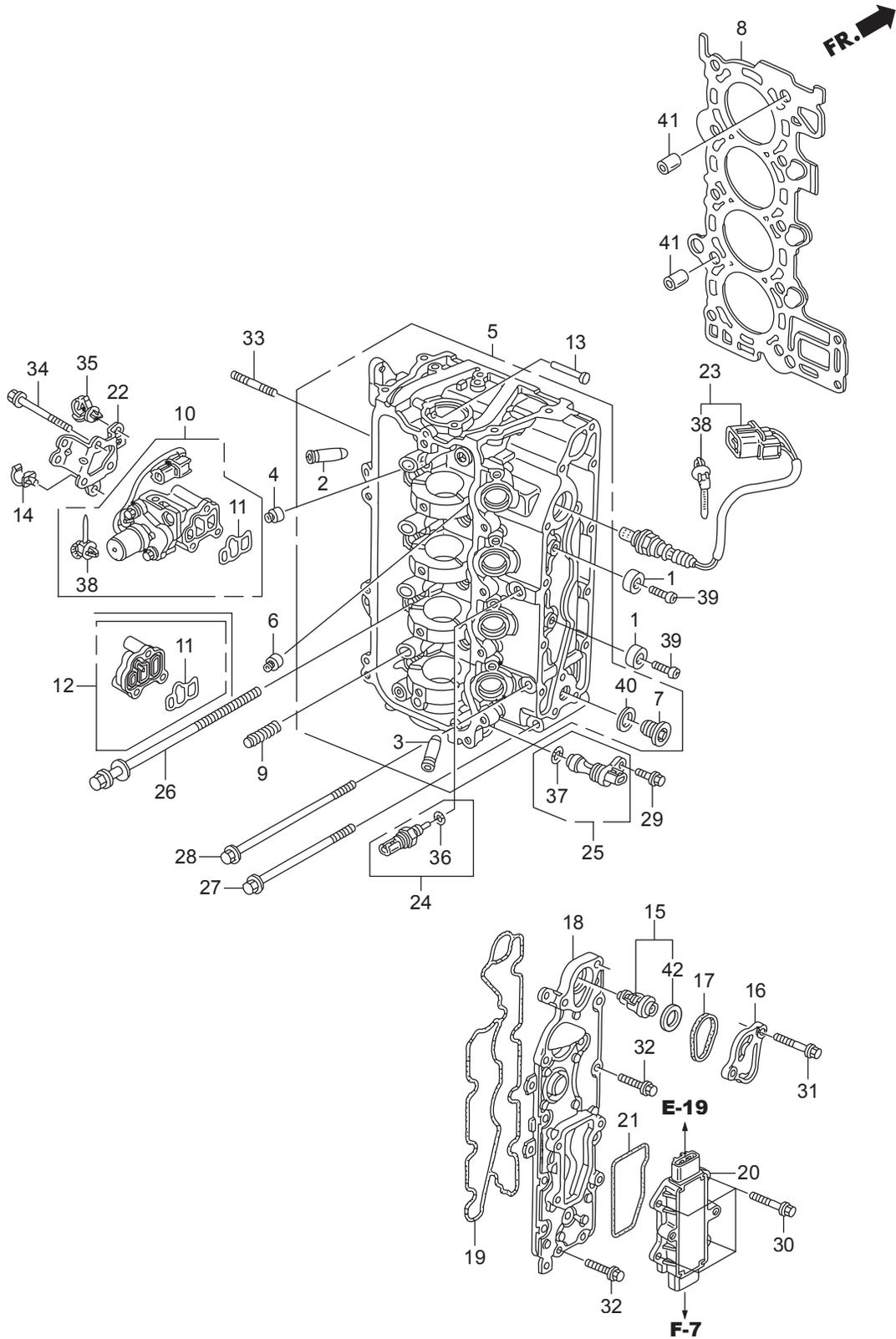






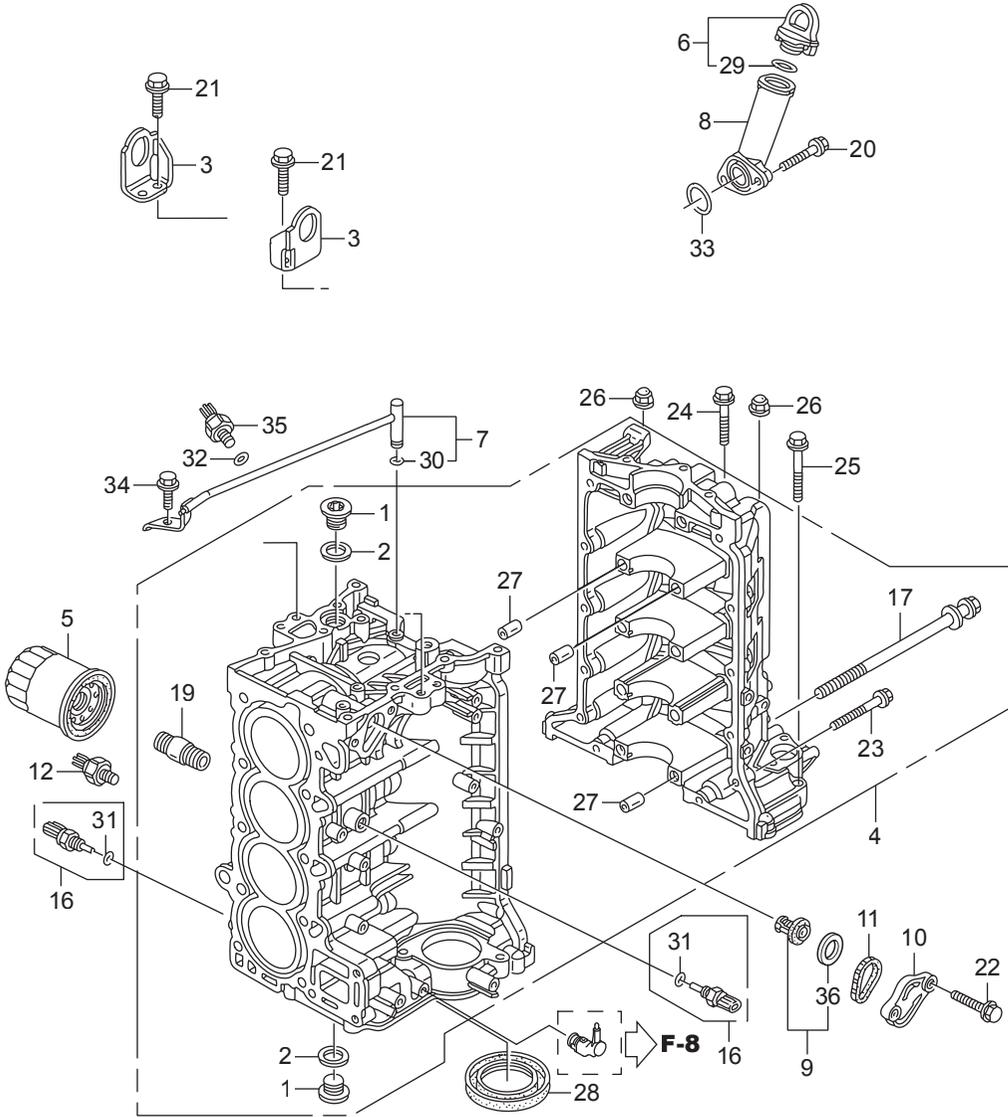


Ref.No.	Part No.	Description	Q' ty		Remarks	
			BET75A	BET90A		
E-2	1	HZV5-12155-000	METAL, ANODE	2	2	
E-2	2	HPJ7-12204-305	GUIDE, IN. VALVE(OS)	8	8	
E-2	3	HPJ7-12205-305	GUIDE, EX. VALVE(OS)	8	8	
E-2	4	HPZ1-12210-004	SEAL A, VALVE STEM(NOK)	8	8	
E-2	5	HZY9-12210-H00ZA	HEAD COMP., CYLINDER	1	1	*NH8* DARK GRAY
E-2	6	HPZ1-12211-004	SEAL B, VALVE STEM(NOK)	8	8	
E-2	7	HZW1-12217-010	BOLT, SEALING, 20MM	2	2	
E-2	8	HZY9-12251-013	GASKET COMP., CYLINDER HEAD	1	1	
E-2	9	HPZA-14820-013	MOTION COMP., LOST		4	
E-2	10	HZZ0-15810-003ZA	VALVE ASSY., SPOOL		1	*NH8* DARK GRAY
E-2	11	HRAA-15815-A02	FILTER ASSY., SPOOL VALVE	1	1	
E-2	12	HZY9-15815-000	COVER ASSY., OIL PATH	1		
E-2	13	HZY9-16717-000	LIFTER, FUEL PUMP	1	1	
E-2	14	HZY9-16896-003	CLAMP B, FUEL TUBE	1	1	
E-2	15	HZY6-19300-003	THERMOSTAT ASSY.	1	1	
E-2	16	HZW9-19315-000	COVER, THERMOSTAT	1	1	
E-2	17	HZW9-19317-000	O-RING, THERMOSTAT COVER	1	1	
E-2	18	HZY9-19361-010	COVER, WATER JACKET	1	1	
E-2	19	HZY9-19371-000	PACKING, EX. WATER JACKET	1	1	COVER
E-2	20	HZY9-31750-003	RECTIFIER ASSY., REGULATOR	1	1	
E-2	21	HZY9-31754-000	PACKING, REGULATOR	1	1	
E-2	22	HZY9-32114-000	BRACKET D, HARNESS CLIP	1	1	
E-2	23	HZY9-35655-H01	SENSOR, OXYGEN	1	1	
E-2	24	HZY3-35673-003	SENSOR ASSY., WATER	1	1	TEMPERATURE
E-2	25	HZY9-35695-003	SENSOR ASSY., TDC	1	1	
E-2	26	HPWA-90008-003	BOLT-WASHER, 9X155	10	10	
E-2	27	HZY9-90011-000	BOLT, FLANGE, 8X95	1	1	
E-2	28	HZY9-90016-000	BOLT, FLANGE, 8X110	1	1	
E-2	29	HZY3-90017-000	BOLT, FLANGE, 6X16	1	1	



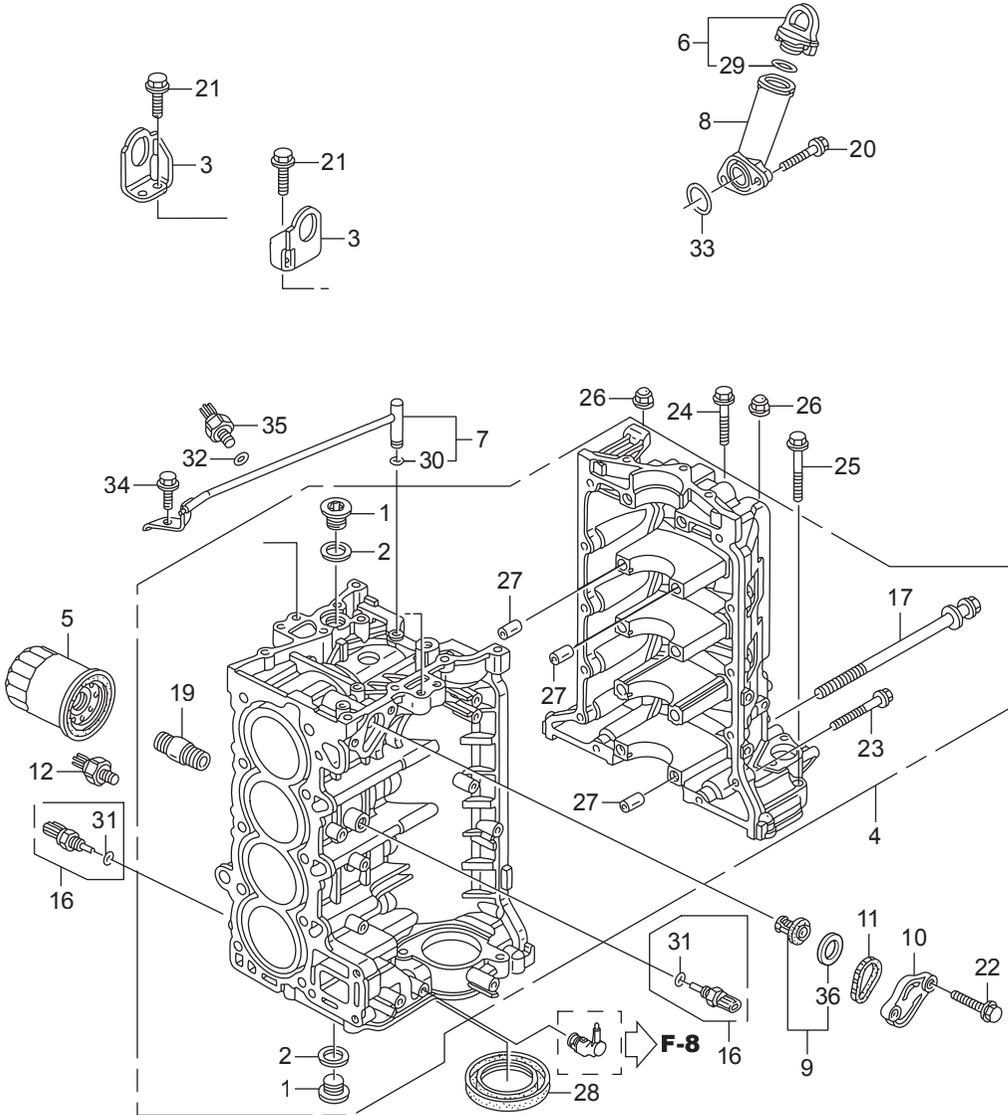


FR. 



Ref.No.	Part No.	Description	Q' ty		Remarks	
			BET75A	BET90A		
E-3	1	HPWA-11106-300	BOLT, SEALING, 24MM	2	2	
E-3	2	HPWA-11107-300	WASHER, SEALING, 24MM	2	2	
E-3	3	HZY9-11911-000	HANGER, ENGINE	2	2	
E-3	4	HZY9-12000-406ZA	BLOCK ASSY., CYLINDER	1	1	*NH8* DARK GRAY
E-3	5	HRTA-15400-004	CARTRIDGE, OIL FILTER	1	1	(TOYO ROKI)
E-3	6	HZY9-15600-000	CAP ASSY., OIL FILLER	1	1	
E-3	7	HZY9-15612-000	PIPE, OIL	1	1	
E-3	8	HZY9-15631-000	EXTENSION, OIL FILLER	1	1	
E-3	9	HZW9-19300-003	THERMOSTAT ASSY.	1	1	
E-3	10	HZY9-19315-H00	COVER, THERMOSTAT	1	1	
E-3	11	HZW9-19317-000	O-RING, THERMOSTAT COVER	1	1	
E-3	12	HRGA-30530-004	SENSOR COMP., KNOCK		1	
E-3	16	HZY3-35673-003	SENSOR ASSY., WATER	2	2	TEMPERATURE
E-3	17	HZY9-90008-003	BOLT-WASHER, 10X105	10	10	
E-3	19	HPH1-90015-013	HOLDER, OIL FILTER	1	1	
E-3	20	HZW9-90016-000	BOLT, FLANGE, 6X25	2	2	
E-3	21	HZY3-90026-000	BOLT, FLANGE, 8X20	4	4	
E-3	22	HZY3-90030-000	BOLT, FLANGE, 6X22	2	2	
E-3	23	HZY3-90031-000	BOLT, FLANGE, 6X32	12	12	
E-3	24	HZY3-90054-000	BOLT, FLANGE, 8X35	1	1	
E-3	25	HHW1-90120-671	BOLT, FLANGE, 8X45	2	2	
E-3	26	HZY9-90201-000	NUT, FLANGE CAP, 8MM	2	2	
E-3	27	HPD2-90701-000	DOWEL PIN, 12X14	10	10	
E-3	28	HPNA-91214-014	OIL SEAL, 80X98X10(ARAI)	1	1	
E-3	29	HMAL-91302-601	O-RING, 18.1X3.6	1	1	
E-3	30	HZY6-91305-003	O-RING, 6.5X1.5	1	1	
E-3	31	HPNA-91307-003	O-RING, 9.5X1.9	2	2	
E-3	32	HPR3-91319-003	O-RING, 13X1.5(ARAI)	1	1	
E-3	33	HPF4-91324-004	O-RING, 28.3X2.4(NOK)	1	1	

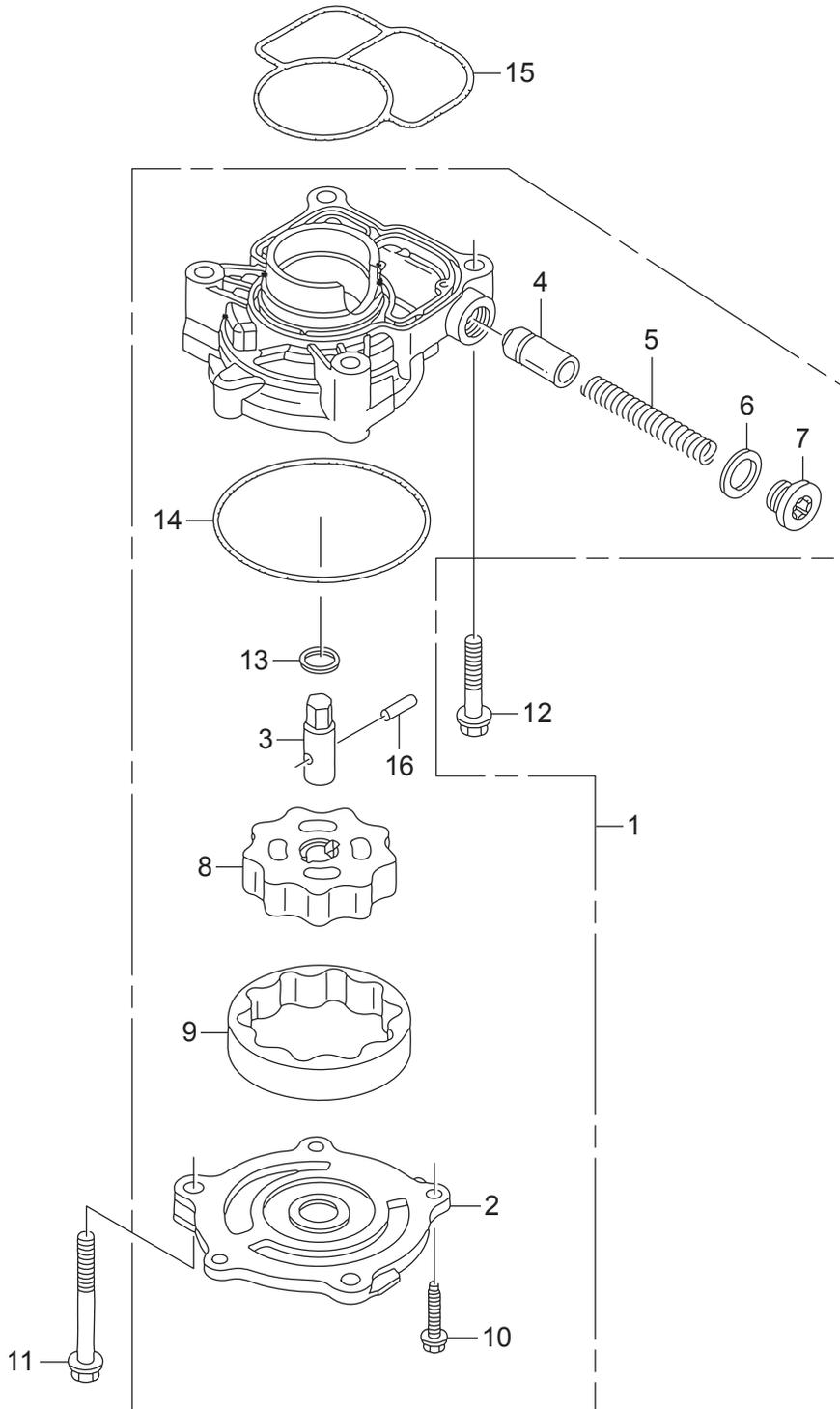
FR. 







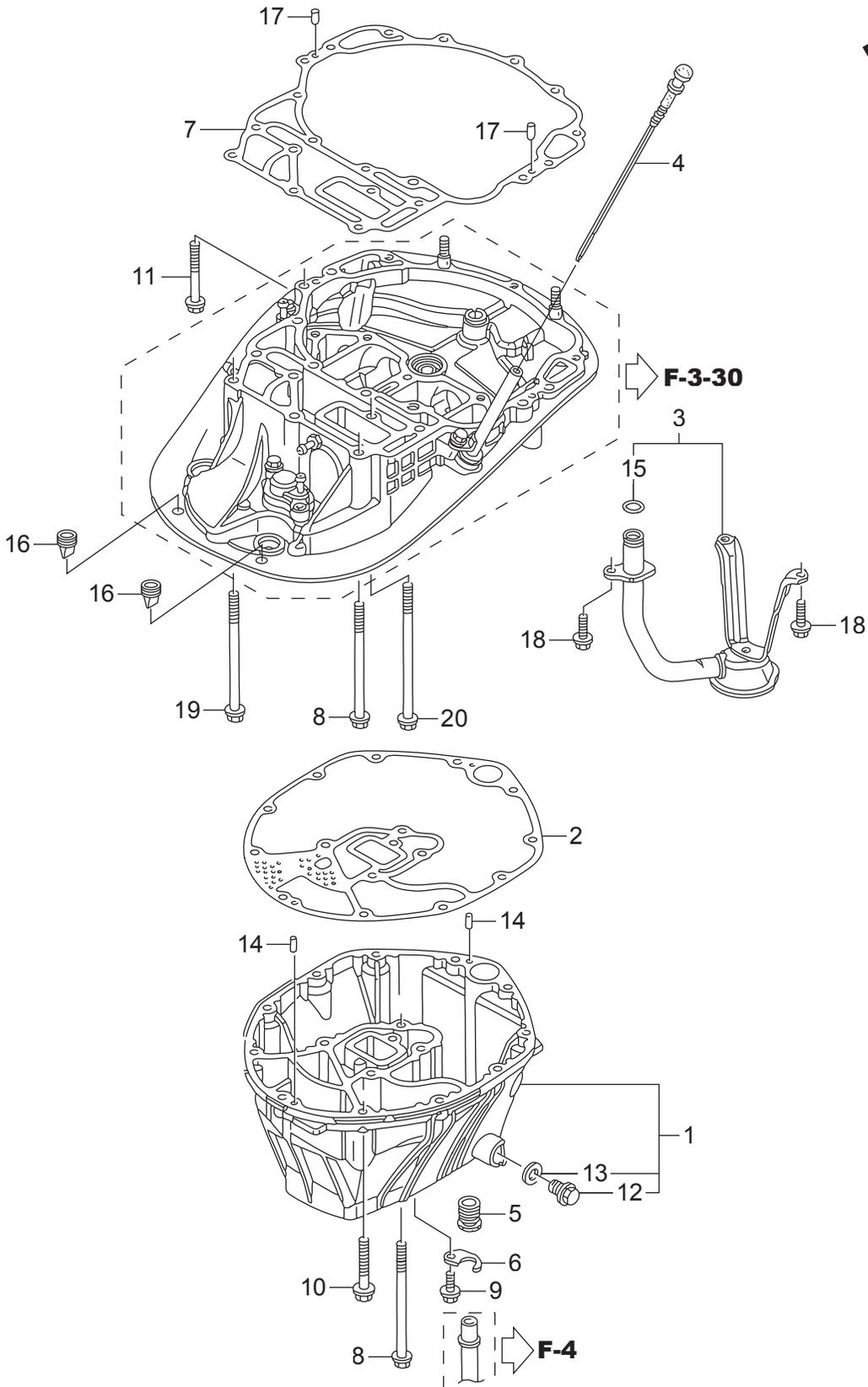
FR. 





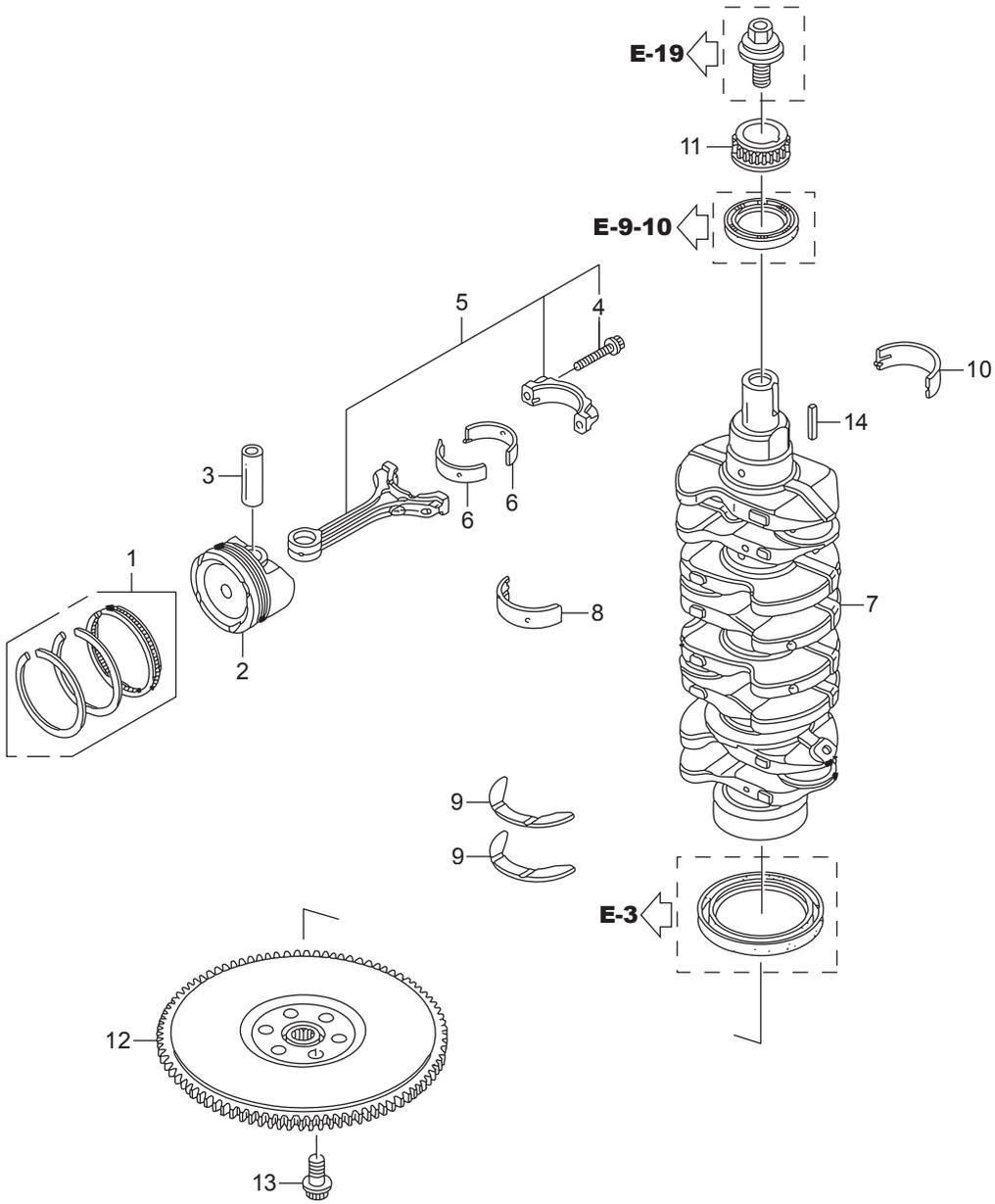
# E-6 OIL CASE

FR. 



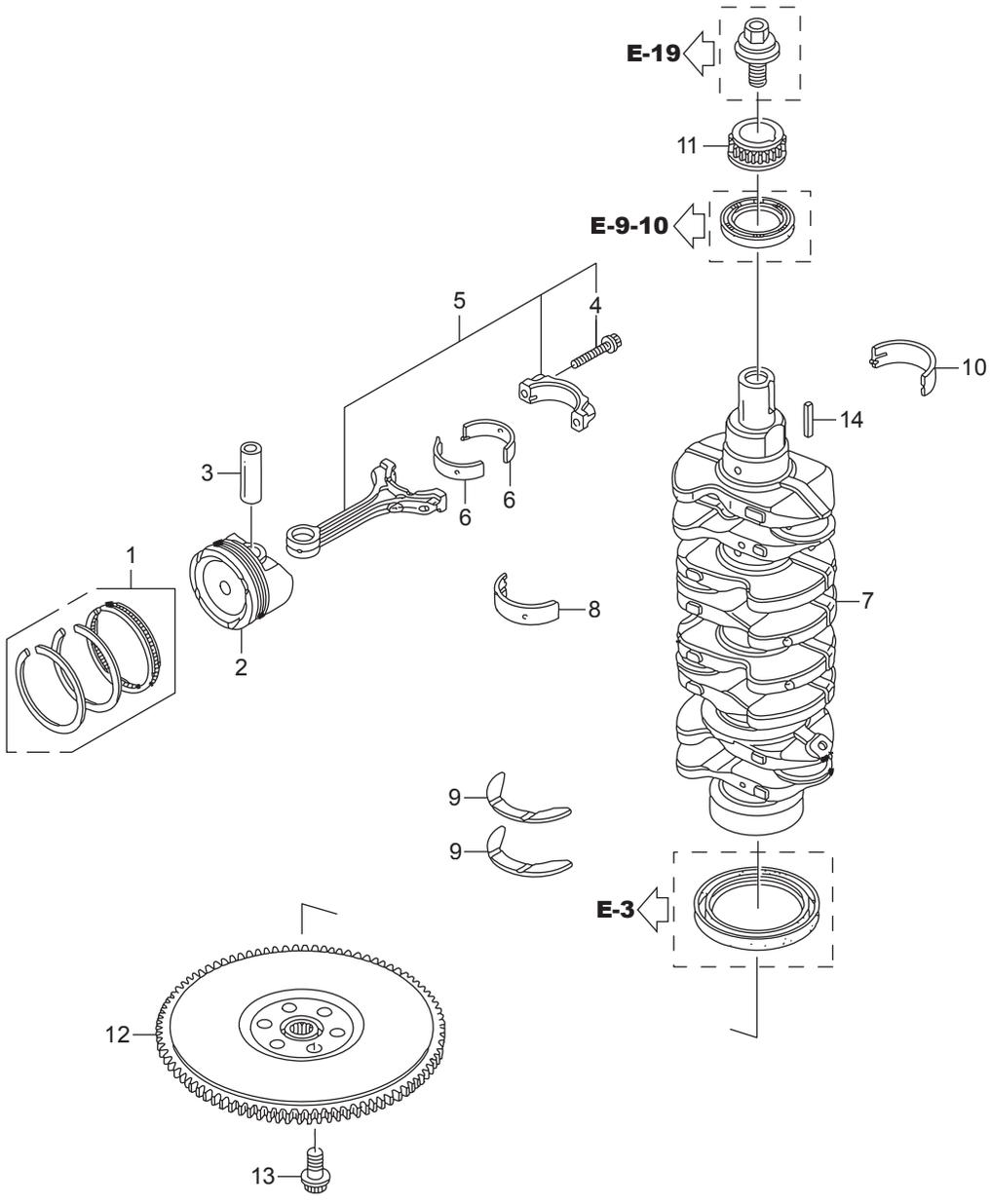


FR. →



Ref.No.	Part No.	Description	Q' ty		Remarks	
			BET75A	BET90A		
E-7	1	HZY9-13010-H00	RING SET, PISTON(STD.)	4	4	
E-7	1	HZY9-13011-010	RING SET, PISTON(0.25)	4	4	
E-7	2	HZY9-13101-H00	PISTON(STD.)	4	4	
E-7	2	HZZ0-13102-000	PISTON(0.25)	4	4	
E-7	3	HPWA-13111-000	PIN, PISTON	4	4	
E-7	4	HPWA-13204-003	BOLT, CONNECTING ROD	8	8	
E-7	5	HZY9-13210-010	ROD COMP., CONNECTING	4	4	
E-7	6	HPWA-13211-003	BEARING A, CONNECTING ROD	8	8	(BLUE)(DAIDO)
E-7	6	HPWA-13212-003	BEARING B, CONNECTING ROD	8	8	(BLACK)(DAIDO)
E-7	6	HPWA-13213-003	BEARING C, CONNECTING ROD	8	8	(BROWN)(DAIDO)
E-7	6	HPWA-13214-003	BEARING D, CONNECTING ROD	8	8	(GREEN)(DAIDO)
E-7	6	HPWA-13215-003	BEARING E, CONNECTING ROD	8	8	(YELLOW)(DAIDO)
E-7	6	HPWA-13216-003	BEARING F, CONNECTING ROD	8	8	(PINK)(DAIDO)
E-7	6	HPWA-13217-003	BEARING G, CONNECTING ROD(REDF)	8	8	(DAIDO)
E-7	7	HZY9-13310-010	CRANKSHAFT COMP.	1	1	
E-7	8	HPWA-13322-003	BEARING B, MAIN UPPER(BLACK)	5	5	(DAIDO)
E-7	8	HPWA-13323-003	BEARING C, MAIN UPPER(BROWN)	5	5	(DAIDO)
E-7	8	HPWA-13324-003	BEARING D, MAIN UPPER(GREEN)	5	5	(DAIDO)
E-7	8	HPWA-13325-003	BEARING E, MAIN UPPER(YELLOW)	5	5	(DAIDO)
E-7	8	HPWA-13326-003	BEARING F, MAIN UPPER(PINK)	5	5	(DAIDO)
E-7	8	HPWA-13327-003	BEARING G, MAIN UPPER(REDF)	5	5	(DAIDO)
E-7	8	HPWA-13328-003	BEARING H, MAIN UPPER(WHITE)	5	5	(DAIDO)
E-7	9	HZY9-13331-003	WASHER, THRUST	2	2	
E-7	10	HPWA-13342-003	BEARING B, MAIN LOWER(BLACK)	5	5	(DAIDO)
E-7	10	HPWA-13343-003	BEARING C, MAIN LOWER(BROWN)	5	5	(DAIDO)
E-7	10	HPWA-13344-003	BEARING D, MAIN LOWER(GREEN)	5	5	(DAIDO)
E-7	10	HPWA-13345-003	BEARING E, MAIN LOWER(YELLOW)	5	5	(DAIDO)
E-7	10	HPWA-13346-003	BEARING F, MAIN LOWER(PINK)	5	5	(DAIDO)
E-7	10	HPWA-13347-003	BEARING G, MAIN LOWER(REDF)	5	5	(DAIDO)

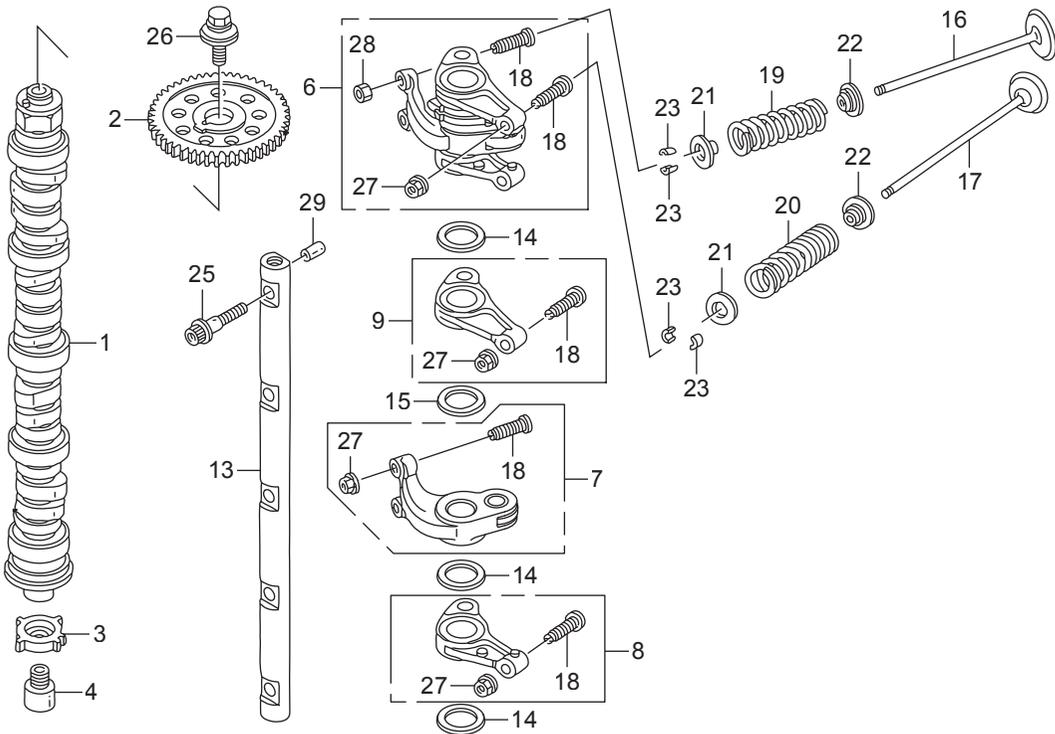
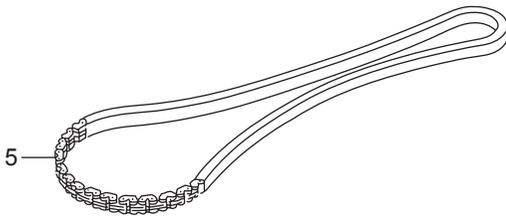
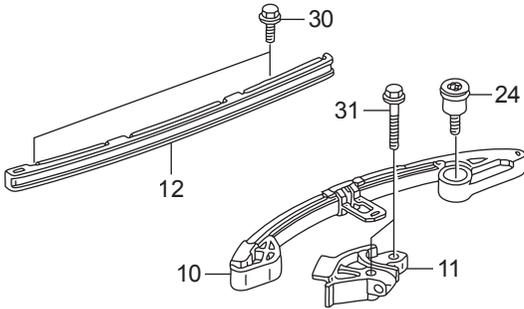
FR. →



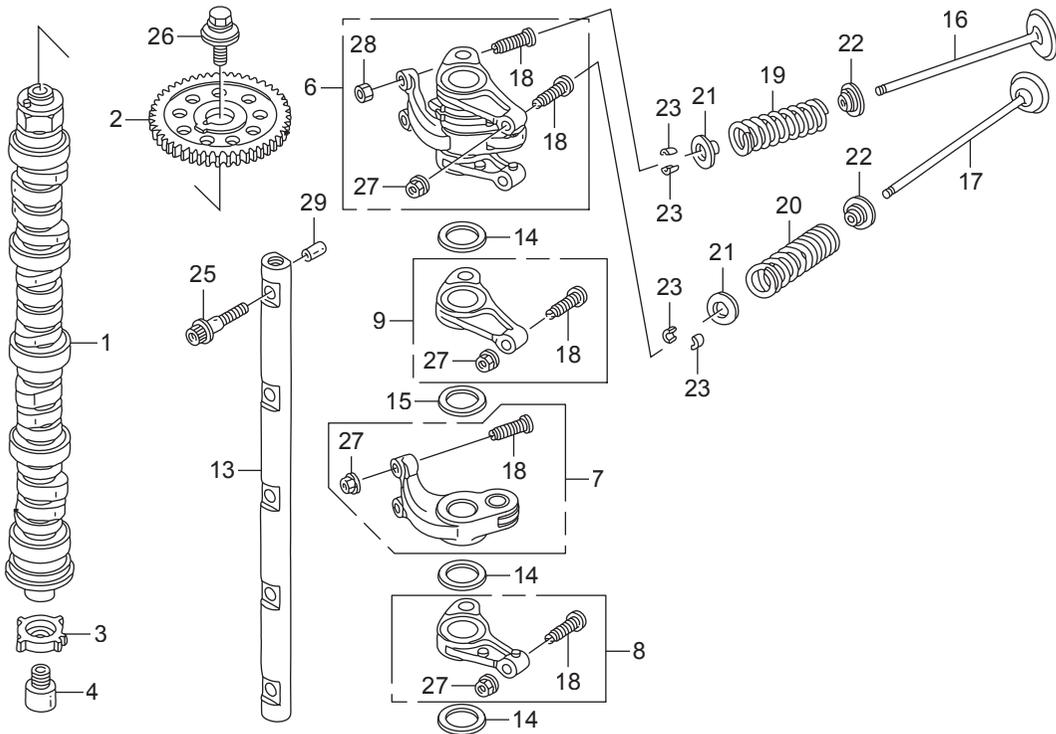
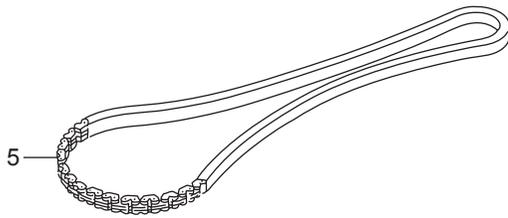
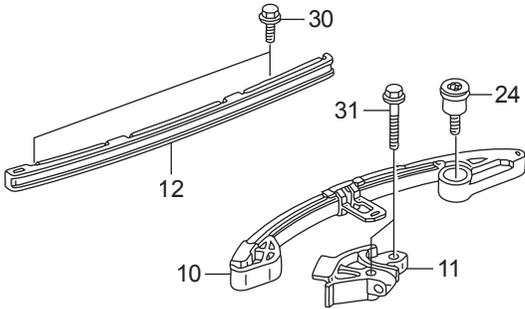




FR. 

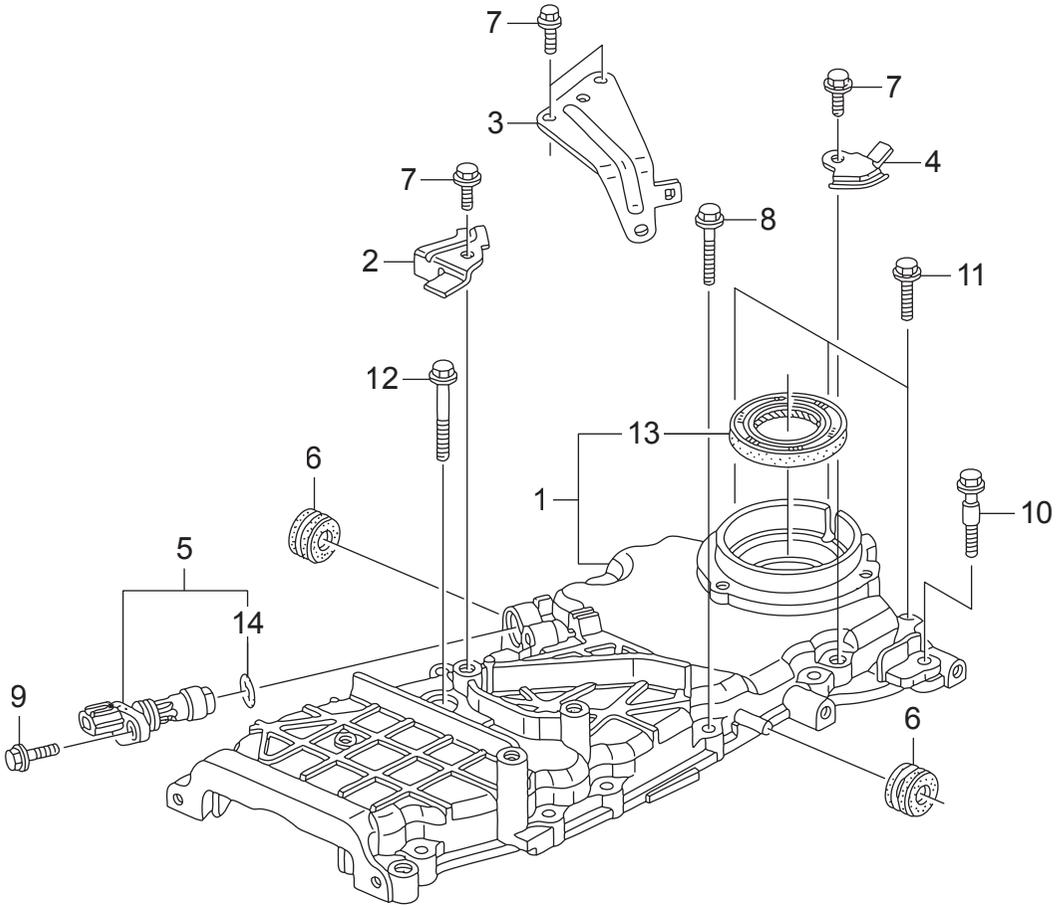


Ref.No.	Part No.	Description	Q' ty		Remarks
			BET75A	BET90A	
E-9	1	HZY9-14110-000	CAMSHAFT COMP.	1	
E-9	1	HZZ0-14110-000	CAMSHAFT COMP.		1
E-9	2	HRB0-14211-003	SPROCKET, CAM CHAIN DRIVEN	1	1 (46T)
E-9	3	HPWA-14221-003	PLATE, TDC PULSER	1	1
E-9	4	HZY9-14222-000	BOLT, TDC PULSER PLATE	1	1
E-9	5	HRB1-14401-003	CHAIN(132L)	1	1
E-9	6	HZZ0-14420-000	ARM ASSY., ROCKER		4
E-9	7	HZY9-14430-000	ARM COMP., IN. VALVE ROCKER	4	
E-9	8	HZY9-14441-000	ARM COMP., EX. ROCKER(A)	4	
E-9	9	HZY9-14442-000	ARM COMP., EX. ROCKER(B)	4	
E-9	10	HZY9-14510-003	TENSIONER COMP., CAM CHAIN	1	1
E-9	11	HZY9-14512-000	SLIDER COMP., CAM CHAIN	1	1 TENSIONER
E-9	12	HRB1-14530-004	GUIDE COMP., CAM CHAIN	1	1
E-9	13	HPWC-14631-010	SHAFT COMP., ROCKER ARM	1	1
E-9	14	HPWA-14647-000	WASHER, THRUST	12	
E-9	15	HPY3-14647-000	WASHER, IN. WAVE	4	
E-9	16	HRB0-14711-000	VALVE, IN.	8	8
E-9	17	HPWC-14721-010	VALVE, EX.	8	8
E-9	18	HPM3-14744-000	SCREW, TAPPET ADJUSTING	16	16
E-9	19	HZY9-14751-H01	SPRING, IN. VALVE	8	8
E-9	20	HZY9-14752-003	SPRING, EX. VALVE	8	8
E-9	21	HRGA-14765-000	RETAINER, VALVE SPRING	16	16
E-9	22	HP08-14775-000	SEAT, VALVE SPRING	16	16
E-9	23	HRGM-14781-A01	COTTER, VALVE(FUJI VALVE)	32	32
E-9	24	HPNA-90003-000	BOLT, TENSIONER PIVOT	1	1
E-9	25	HPWC-90006-003	BOLT, ROCKER ARM SHAFT	5	5
E-9	26	HRNA-90031-A01	BOLT-WASHER, 10X30	1	1
E-9	27	HPM3-90206-004	NUT, TAPPET ADJUSTING	16	8 (TOKAI TRW)
E-9	28	HPT0-90206-004	NUT, TAPPET ADJUSTING		8





FR. 

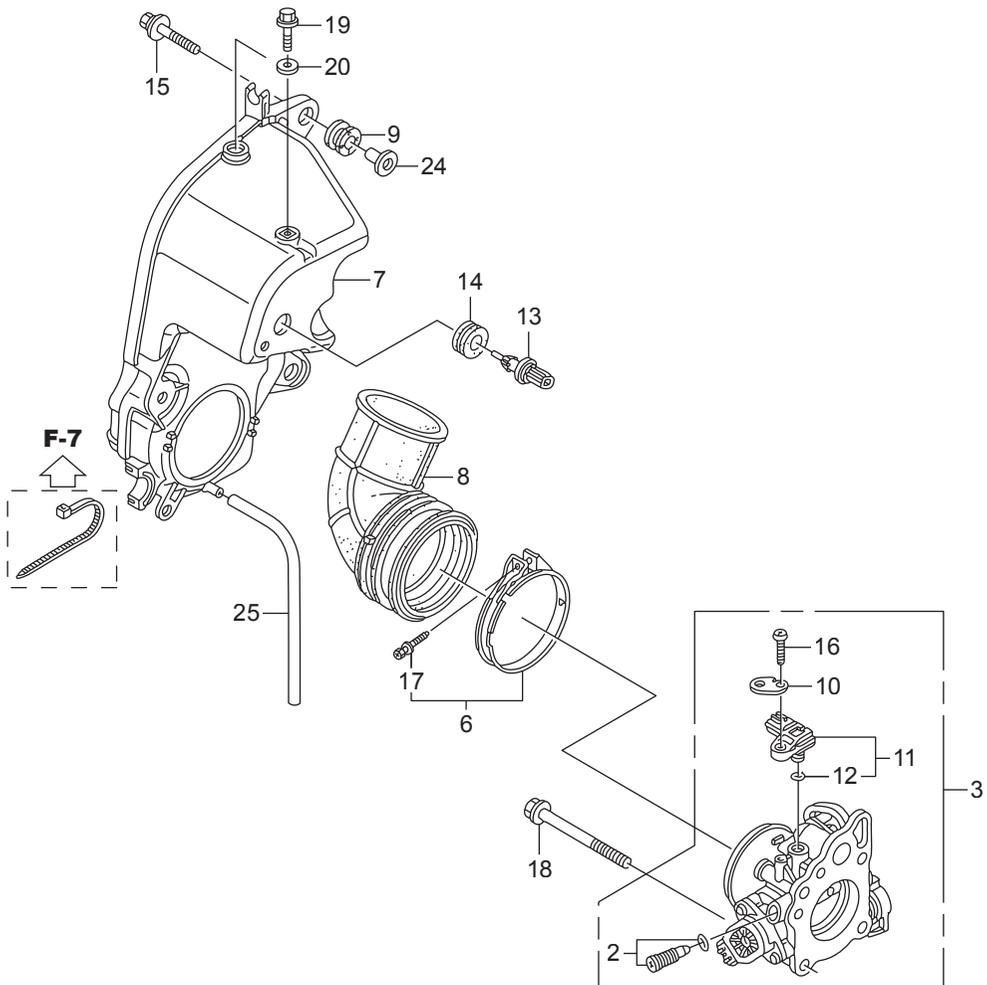
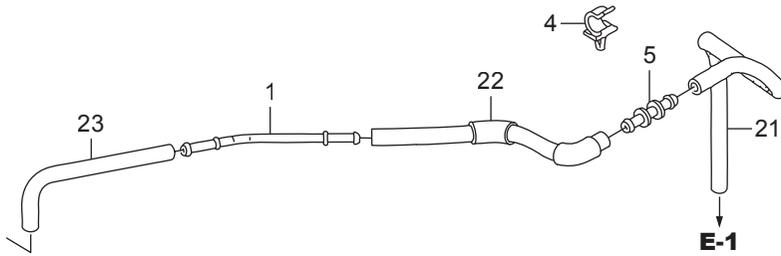








Ref.No.	Part No.	Description	Q' ty		Remarks	
			BET75A	BET90A		
E-14	1	HZY9-16450-003	INJECTOR ASSY., FUEL	4	4	
E-14	2	HZY9-16451-000	CLIP, INJECTOR	2	2	
E-14	3	HZY9-16620-010	LINE COMP., FUEL	1	1	
E-14	4	HPH3-16638-S00	INSULATOR, FUEL PIPE	2	2	
E-14	5	HZY9-16733-000	GROMMET, VAPOR SEPARATOR	2	2	
E-14	6	HZY3-16752-A00	JOINT, FUEL PIPE	1	1	
E-14	7	HPWA-17105-007	PACKING, INTAKE MANIFOLD	4	4	
E-14	8	HZY6-17109-000	PACKING, THROTTLE BODY	1	1	
E-14	9	HZY9-17110-003	MANIFOLD COMP., INLET	1	1	
E-14	10	HZY9-36550-003	VALVE ASSY., ELECTRONIC AIR	1	1	CONTROL
E-14	11	HZY6-36551-003	PACKING, ELECTRONIC AIR	1	1	CONTROL VALVE
E-14	12	HZY9-90003-000	BOLT, STUD, 6X40	2	2	
E-14	13	HZW1-90014-000	BOLT-WASHER, 8X35	2	2	
E-14	14	HZY3-90042-000	BOLT, FLANGE, 6X10	4	4	
E-14	15	HZY3-90054-000	BOLT, FLANGE, 8X35	3	3	
E-14	16	HZW4-90126-000	BOLT, FLANGE, 8X45	2	2	
E-14	17	HZY3-90205-000	NUT, FLANGE, 8MM	2	2	
E-14	18	HZW2-90301-F00	NUT, FLANGE, 6MM	2	2	
E-14	19	HMJ0-91301-003	O-RING, 7.8X1.9(ARAI)	2	2	
E-14	20	HPLC-91301-000	O-RING, 7.47X3.6	4	4	
E-14	21	HPNA-91302-003	O-RING, 7.45X3.61(NOK)	4	4	
E-14	22	HZW1-91554-000	COLLAR, 8.5X14.5	2	2	



FR.

Ref.No.	Part No.	Description	Q' ty		Remarks	
			BET75A	BET90A		
E-15	1	HZY9-15171-000	PIPE, BREATHER	1	1	
E-15	2	HZY6-16016-003	SCREW SET	1	1	
E-15	3	HZY9-16400-H01	THROTTLE BODY ASSY.	1	1	
E-15	4	HZY9-16896-003	CLAMP B, FUEL TUBE	1	1	
E-15	5	HMR5-16966-000	JOINT, FUEL TUBE	1	1	
E-15	6	HZY9-17315-000	BAND, AIR FLOW	1	1	
E-15	7	HZY9-17371-000	CASE COMP., SILENCER	1		
E-15	7	HZY9-17371-H00	CASE COMP., SILENCER		1	
E-15	8	HZY9-17374-000	GROMMET, SILENCER	1	1	
E-15	9	HZY9-30419-003	GROMMET, ELECTRONIC PARTS CASE	2	2	
E-15	10	HZY3-32128-000	BRACKET, SENSOR CORD	1	1	
E-15	11	HRNA-37830-A01	SENSOR ASSY., MAP	1	1	
E-15	12	HPGK-37835-A01	O-RING	1	1	
E-15	13	HPLC-37880-004	SENSOR ASSY., AIR TEMP	1		(MATSUSHITA DENSHI)
E-15	13	HRE1-37880-Z01	SENSOR ASSY., AIR TEMP		1	
E-15	14	HP2A-37881-000	GROMMET, TA SENSOR	1	1	
E-15	15	HZW2-90003-000	BOLT-WASHER, 6X27(CT200)	2	2	
E-15	16	HZY6-90006-000	SCREW, PAN, 5X18	1	1	
E-15	17	HZY9-90017-000	BOLT-WASHER, 5X30	1	1	
E-15	18	HZV1-90127-010	BOLT, FLANGE, 8X60	4	4	
E-15	19	HZW4-90169-000	BOLT, FLANGE,(SH)6X25	1	1	
E-15	20	HZY3-90508-000	WASHER, PLAIN, 6MM	1	1	
E-15	21	HZY9-91403-000	TUBE A, BREATHER	1	1	
E-15	22	HZY9-91404-000	TUBE B, BREATHER	1	1	
E-15	23	HZY9-91405-000	TUBE C, BREATHER	1	1	
E-15	24	HZV5-91553-010	COLLAR, C.D.I. UNIT CASE	2	2	
E-15	25	HCO-95003-07019-31	TUBE, VINYL, 4X7X190	1	1	(HC-95003-07001-60M)



Ref.No.	Part No.	Description	Q' ty		Remarks	
			BET75A	BET90A		
E-18	1	HZY9-06167-000	PUMP ASSY KIT, FUEL	1	1	
E-18	2	HZY9-16195-000	TUBE A, CHECK VALVE	1	1	
E-18	3	HZY9-16196-000	TUBE B, CHECK VALVE	1	1	
E-18	4	HZY9-16197-000	TUBE A, AIR VENT	1	1	
E-18	5	HZY9-16198-000	TUBE B, AIR VENT	1	1	
E-18	6	HZY9-16199-000	TUBE C, AIR VENT	1	1	
E-18	7	HZY9-16700-013	PUMP ASSY., FUEL	1	1	
E-18	8	HZY9-16755-003	HOSE COMP., FUEL	1	1	
E-18	9	HZY9-16756-000	GROMMET, FUEL HOSE	1	1	
E-18	10	HZY9-16816-000	BRACKET, FUEL TUBE CLAMP	1	1	
E-18	11	HZY9-16881-010	TUBE D, FUEL	1	1	
E-18	12	HZY9-16891-000	TUBE E, FUEL	1	1	
E-18	13	HZY9-16895-003	CLAMP A, FUEL TUBE	2	2	
E-18	14	HZY9-16896-003	CLAMP B, FUEL TUBE	7	7	
E-18	15	HZV4-16910-015	STRAINER COMP., FUEL	1	1	
E-18	16	HZY6-19269-000	T-JOINT	1	1	
E-18	17	HZY6-36135-003	VALVE, CHECK	1	1	
E-18	18	HP3F-36533-A01	CLAMP, OXYGEN SENSOR	1	1	
E-18	19	HZW9-90003-000	BOLT, FLANGE, 6X22	2	2	
E-18	20	HZW9-90011-000	BOLT, FLANGE, 6X14(CT200)	2	2	
E-18	21	HZW9-90016-000	BOLT, FLANGE, 6X25	2	2	
E-18	22	HZV0-90604-000	CLIP, TUBE(B12)	4	4	
E-18	23	HZW9-91303-000	O-RING, 31.2X2.4	1	1	





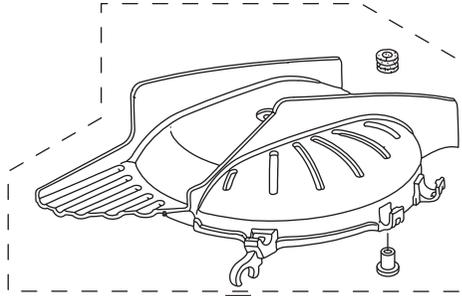




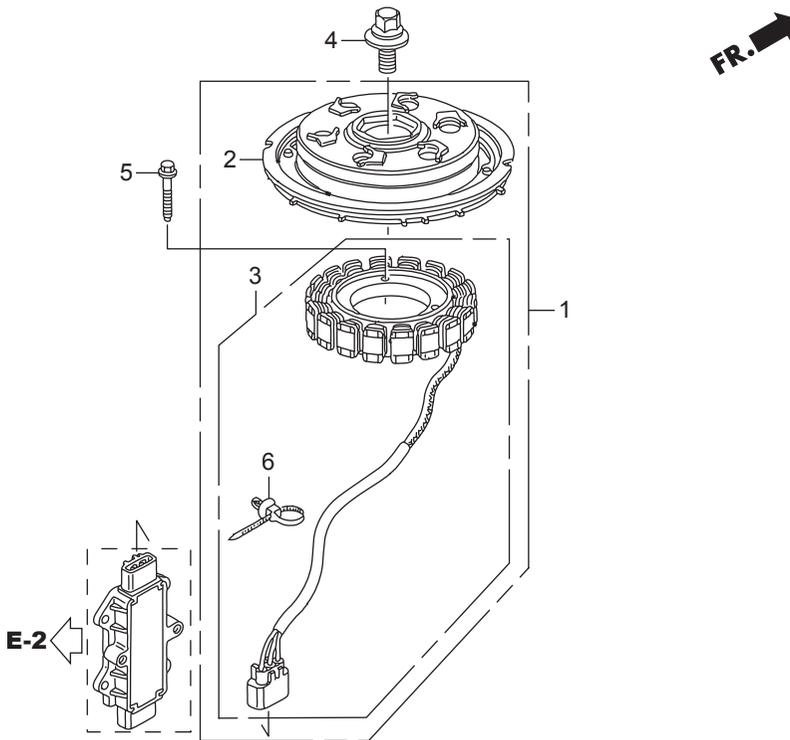
Ref.No.	Part No.	Description	Q' ty		Remarks	
			BET75A	BET90A		
E-18-20	1	HZY3-16011-A01	VALVE SET, FLOAT	1	1	
E-18-20	2	HZY9-16013-000	FLOAT SET	1	1	
E-18-20	3	HZY9-16017-040	PUMP UNIT, FUEL(A)	1	1	
E-18-20	4	HZY9-16019-003	BODY	1	1	
E-18-20	5	HZY9-16020-013	COVER COMP.	1	1	
E-18-20	6	HZY3-16024-000	SCREW SET, DRAIN	1	1	
E-18-20	7	HZY3-16026-000	JOINT SET	1	1	
E-18-20	8	HZY6-16036-003	PUMP UNIT, FUEL(B)	1	1	
E-18-20	9	HZY9-16042-013	HOLDER	1	1	
E-18-20	10	HZY9-16061-003	COVER, WATER JACKET	1	1	
E-18-20	11	HZY9-16071-003	O-RING	1	1	
E-18-20	12	HZY3-16072-000	O-RING	1	1	
E-18-20	13	HZY9-16072-003	PACKING	1	1	
E-18-20	14	HZY3-16073-000	O-RING	1	1	
E-18-20	15	HZY9-16073-003	O-RING	1	1	
E-18-20	16	HZY3-16077-000	O-RING	2	2	
E-18-20	17	HZW5-16081-010	SCREW-WASHER	9	9	
E-18-20	18	HZY9-16081-003	SCREW-WASHER	5	5	
E-18-20	19	HZY3-16082-000	SCREW, PAN	2	2	
E-18-20	20	HZY9-16082-003	SCREW-WASHER	3	3	
E-18-20	21	HZY3-16083-000	SCREW, WASHER	1	1	
E-18-20	22	HZY3-16087-000	WASHER, PLAIN	1	1	
E-18-20	23	HGHB-16163-610	CLIP, TUBE	2	2	
E-18-20	24	HZY3-16193-A00	CLAMP, CHECK VALVE	1	1	
E-18-20	25	HZY9-16701-003	CASE, PUMP	1	1	
E-18-20	26	HZY9-16708-003	COVER, PUMP(B)	1	1	
E-18-20	27	HZY9-16715-013	COVER, PUMP(A)	1	1	
E-18-20	28	HZY6-16718-013	INSULATOR COMP.	1	1	
E-18-20	29	HZY9-16721-003	INSULATOR	1	1	



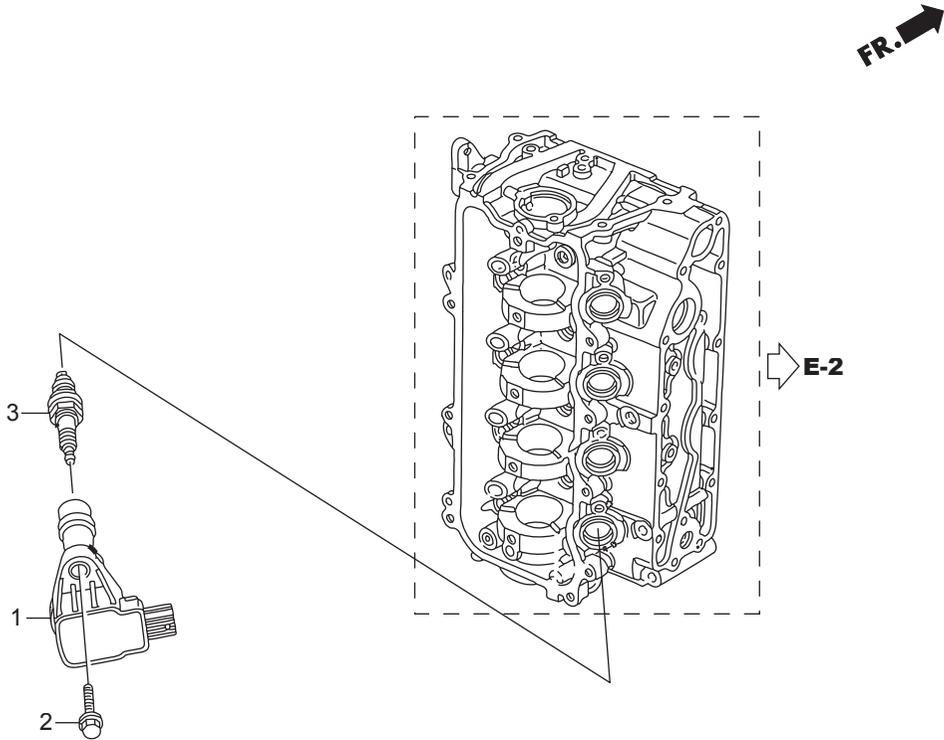
Ref.No.	Part No.	Description	Q' ty		Remarks	
			BET75A	BET90A		
E-18-20	30	HZY6-16723-003	RING	1	1	
E-18-20	31	HZY9-16730-063	SEPARATOR ASSY., VAPOR	1	1	
E-18-20	32	HZY9-16733-000	GROMMET, VAPOR SEPARATOR	3	3	
E-18-20	33	HZY9-16734-010	STAY, FUEL TUBE	1	1	
E-18-20	34	HZW5-16735-003	PUMP UNIT, FUEL	1	1	
E-18-20	35	HZY9-16740-003	REGULATOR ASSY., PRESSURE	1	1	
E-18-20	36	HPG7-16741-005	O-RING, PRESSURE REGULATOR	1	1	
E-18-20	37	HZY3-16752-000	JOINT, FUEL PIPE	1	1	
E-18-20	38	HZY9-16896-003	CLAMP B, FUEL TUBE	2	2	
E-18-20	39	HZY9-16898-003	CLAMP D, FUEL TUBE	1	1	
E-18-20	40	HZY3-16911-010	SCREEN COMP., FUEL STRAINER	1	1	
E-18-20	41	HZY9-16913-003	SPRING, COMPRESSION	1	1	
E-18-20	42	HZY9-17723-F00	HOSE, PRESSURE REGULATOR	1	1	RETURN
E-18-20	43	HZY9-19255-000	TUBE A, WATER	1	1	
E-18-20	44	HZY9-32166-013	HARNESS COMP.	1	1	
E-18-20	45	HZW5-32168-003	BAND	1	1	
E-18-20	46	HPP4-90009-E01	BOLT, SEALING, 6MM	1	1	
E-18-20	47	HZW1-90014-000	BOLT-WASHER, 8X35	3	3	
E-18-20	48	HZW9-90016-000	BOLT, FLANGE, 6X25	3	3	
E-18-20	49	HZY3-90021-000	BOLT, FLANGE, 6X14	2	2	
E-18-20	50	HPD6-90430-003	WASHER, SEALING, 6MM	1	1	
E-18-20	51	HZW5-90601-030	CLAMP, TUBE(D10.7)	2	2	
E-18-20	52	HMJ0-91301-003	O-RING, 7.8X1.9(ARAI)	2	2	
E-18-20	53	HZW1-91554-000	COLLAR, 8.5X14.5	3	3	
E-18-20	54	HCO-95001-35120-40	TUBE, FUEL,3.5 × 120	1	1	(HC-95001-35001-60M)
E-18-20	55	HCO-95003-11024-31	TUBE, VINYL, 5X9X240	1	1	(HC-95003-11001-60M)



F-7-30

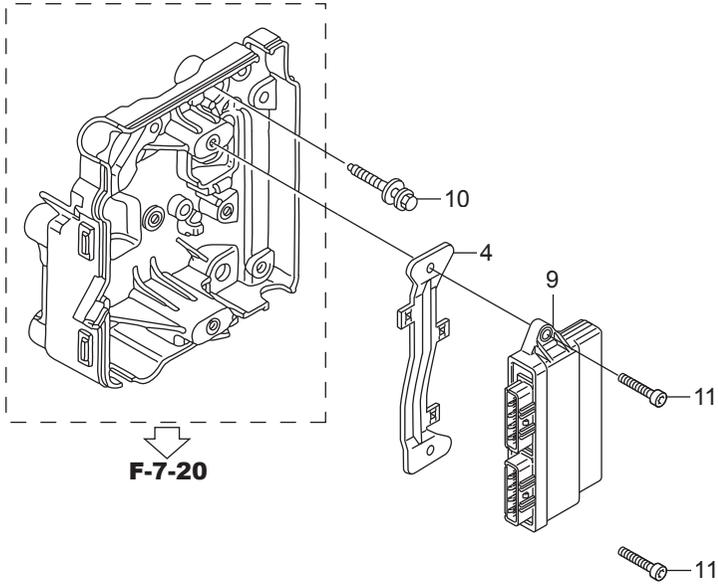






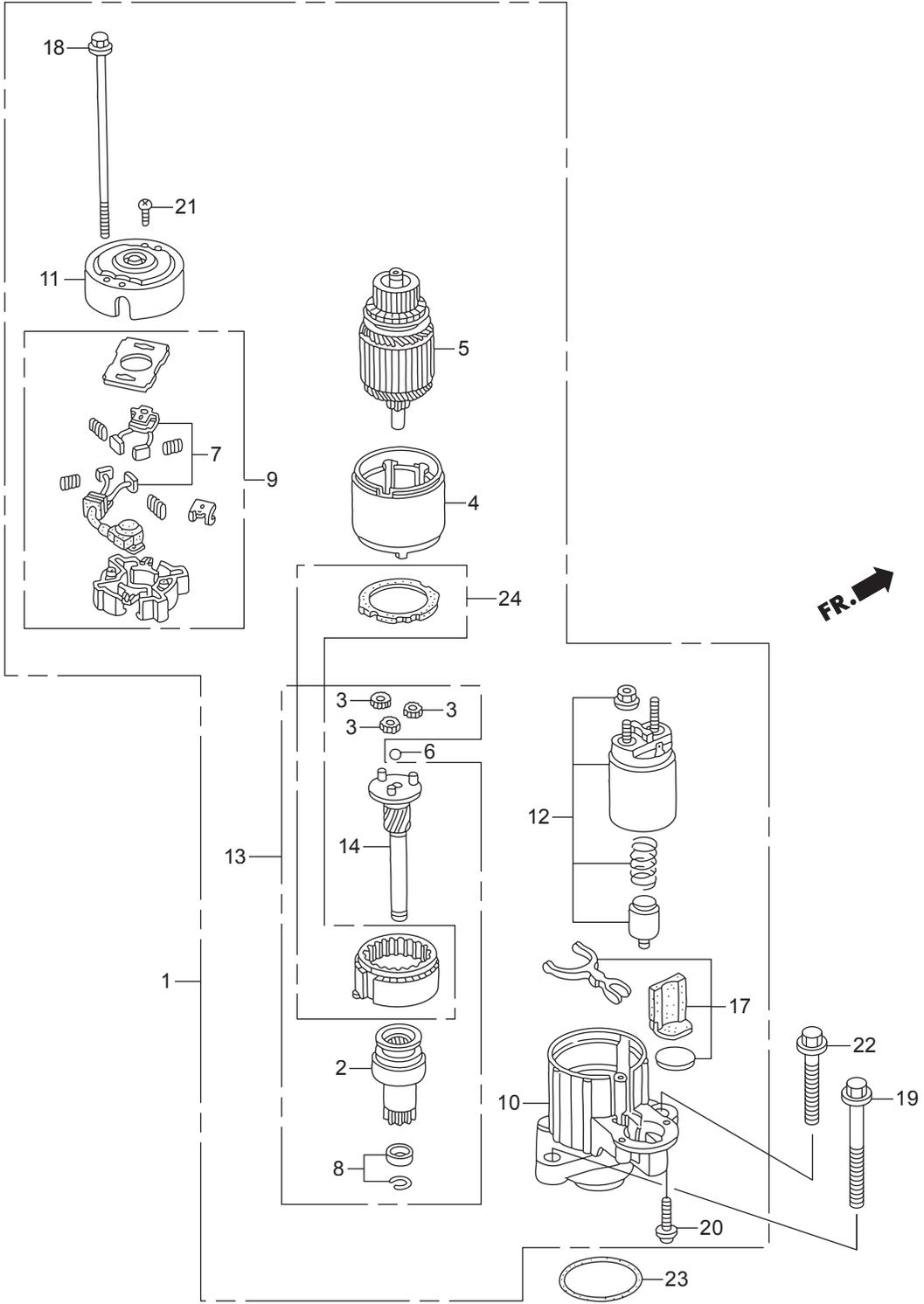


FR. 

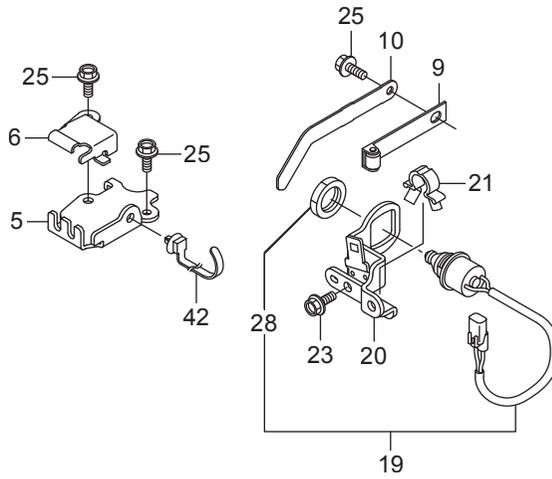




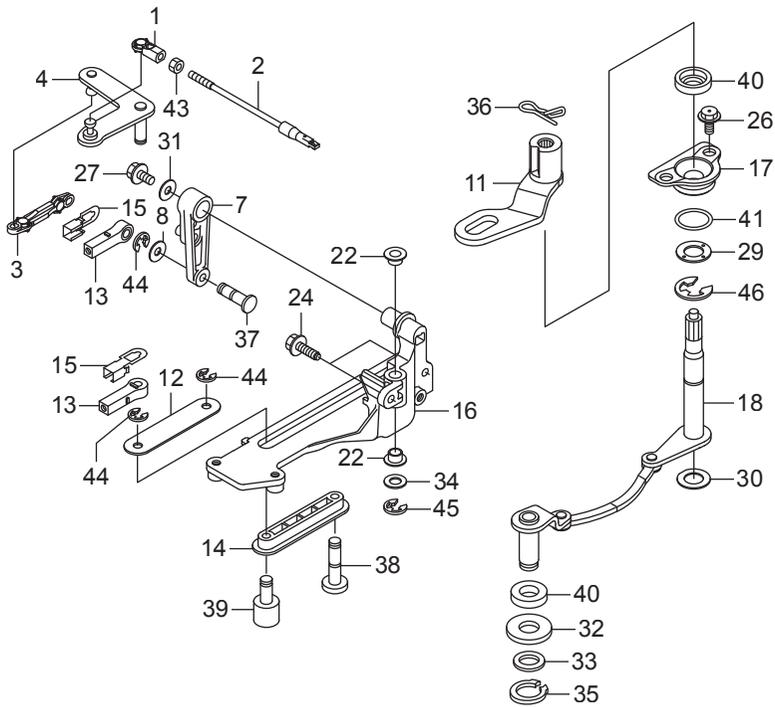




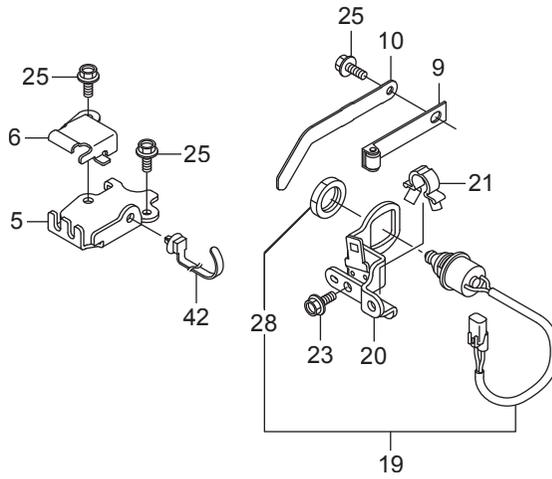
Ref.No.	Part No.	Description	Q' ty		Remarks	
			BET75A	BET90A		
E-21	1	HZY9-31200-H01	MOTOR ASSY., STARTER	1	1	
E-21	2	HZY9-31207-H01	CLUTCH COMP., OVERRUNNING	1	1	
E-21	3	HPY3-31215-004	GEAR ASSY., PLANETARY	3	3	
E-21	4	HZY9-31216-003	YOKE COMP.	1	1	
E-21	5	HZW1-31217-004	ROTOR COMP.	1	1	
E-21	6	HPY3-31218-004	BALL, STEEL	1	1	
E-21	7	HZY9-31227-H01	BRUSH SET	1	1	
E-21	8	HZY9-31229-H01	STOPPER SET, SLEEVE	1	1	
E-21	9	HZY9-31231-H01	HOLDER COMP., BRUSH	1	1	
E-21	10	HZY6-31235-003	BRACKET, FR.	1	1	
E-21	11	HZY6-31236-003	BRACKET, RR.	1	1	
E-21	12	HZY9-31240-003	SWITCH ASSY., MAGNET	1	1	
E-21	13	HZY9-31242-H01	SHAFT ASSY., CLUTCH	1	1	
E-21	14	HZY9-31246-H01	SHAFT ASSY., GEAR	1	1	
E-21	17	HZW1-31250-004	LEVER SET	1	1	
E-21	18	HZW1-31261-004	BOLT A, THROUGH	2	2	
E-21	19	HZY6-90013-000	BOLT, FLANGE, 10X75	1	1	
E-21	20	HZY9-31226-H01	SCREW, PAN, 6X22	2	2	
E-21	21	HZW1-90107-004	SCREW, PAN, 5X8	2	2	
E-21	22	HZW4-90159-000	BOLT, FLANGE, 10X35	1	1	
E-21	23	HZY3-91303-000	O-RING, 59.4X3.1	1	1	
E-21	24	HZY9-31251-H01	GEAR ASSY., INTERNAL	1	1	



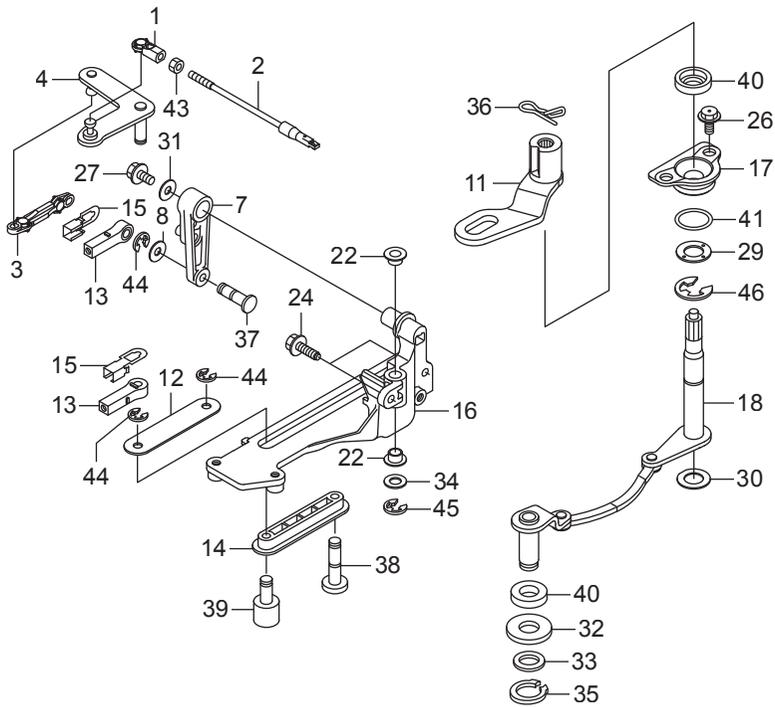
FR.



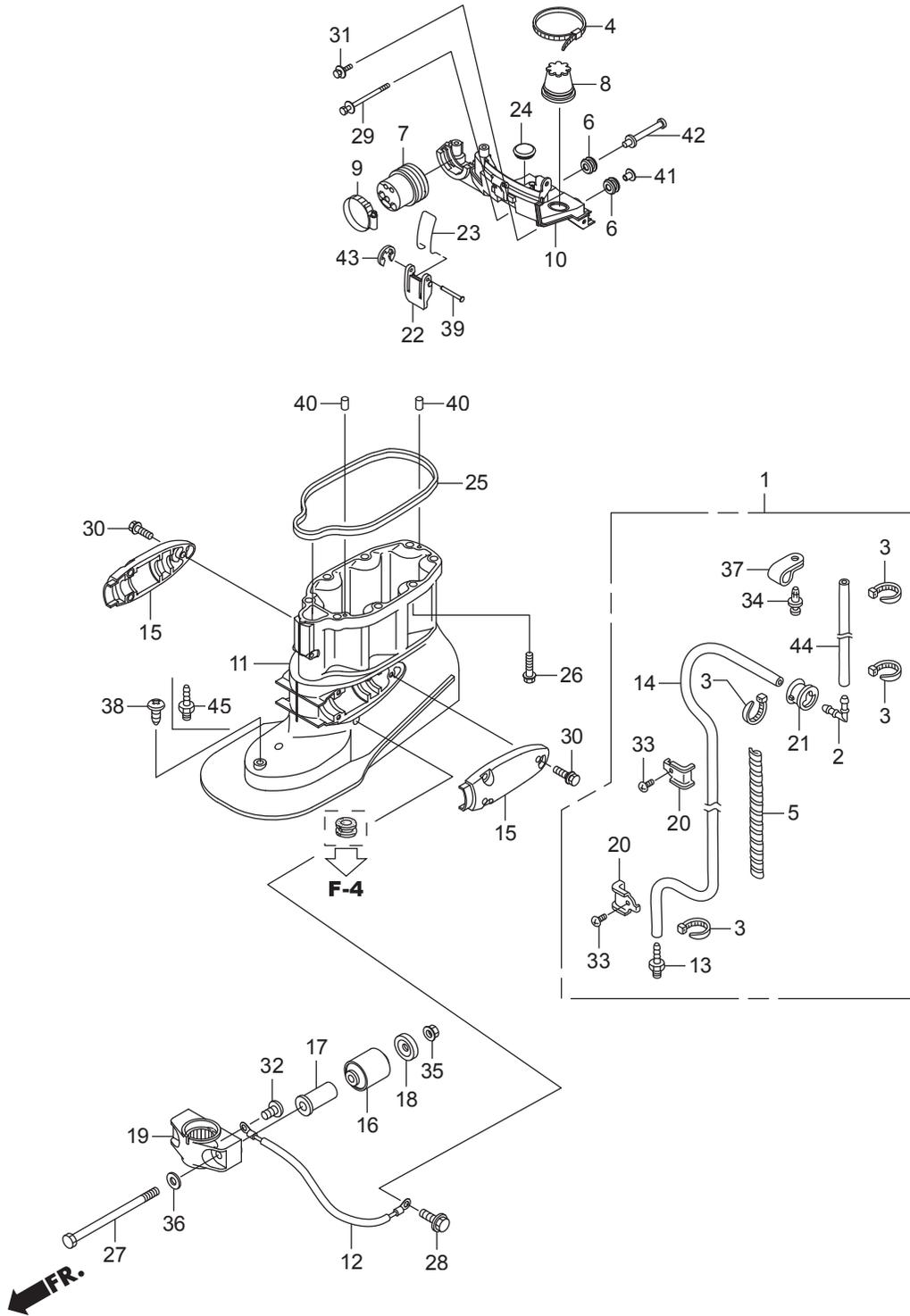
Ref.No.	Part No.	Description	Q' ty		Remarks	
			BET75A	BET90A		
F-2	1	HZV5-17838-000	LINKAGE, PIVOT	1	1	
F-2	2	HZY9-17840-000	ROD COMP., THROTTLE	1	1	
F-2	3	HZY6-17845-000	LINK, THROTTLE	1	1	
F-2	4	HZY9-17860-000	PLATE COMP., THROTTLE	1	1	
F-2	5	HZY9-17877-000	PLATE, REMOTE CONTROL CABLE	1	1	
F-2	6	HZY9-17878-000	COVER, REMOTE CONTROL CABLE	1	1	
F-2	7	HZY6-17931-000	ARM, THROTTLE	1	1	
F-2	8	H921-17936-000	WASHER, PIVOT	1	1	
F-2	9	HZW1-24210-010	SPRING COMP., CLICK	1	1	
F-2	10	HZY9-24221-000	SPRING, CLICK ASSIST	1	1	
F-2	11	HZY9-24612-000	ARM, SHIFT	1	1	
F-2	12	HZY9-24614-000	PLATE, SHIFT PIVOT	1	1	
F-2	13	HZY3-24618-000	PIVOT, SHIFT	2	2	
F-2	14	HZY9-24618-000	PIVOT, SHIFT SLIDE	1	1	
F-2	15	HZY3-24619-000	PLATE, LOCK	2	2	
F-2	16	HZY9-24628-000	BRACKET, SHIFT LINK	1	1	
F-2	17	HZW1-24629-000	HOLDER, SEAL	1	1	
F-2	18	HZY9-24630-000	SHAFT COMP., SHIFT	1	1	
F-2	19	HZY9-35470-023	SWITCH ASSY., NEUTRAL	1	1	
F-2	20	HZY9-35475-010	BRACKET, NEUTRAL SWITCH	1	1	
F-2	21	HVM0-46391-003	CLIP, BRAKE PIPE(A)	1	1	
F-2	22	HZY3-63205-000	BUSH A. COVER LOCK	2	2	
F-2	23	HZW9-90011-000	BOLT, FLANGE, 6X14(CT200)	1	1	
F-2	24	HZV0-90017-C10	BOLT, FLANGE, 6X18(CT200)	2	2	
F-2	25	HZY3-90017-000	BOLT, FLANGE, 6X16	3	3	
F-2	26	HZW5-90023-000	BOLT, FLANGE, 6X11	2	2	
F-2	27	HZY3-90056-000	BOLT, FLANGE, 6X12	1	1	
F-2	28	HZV5-90302-003	NUT, HEX., 20MM	1	1	
F-2	29	HGET-90429-000	WASHER, SIDE, 14MM	1	1	



FR.

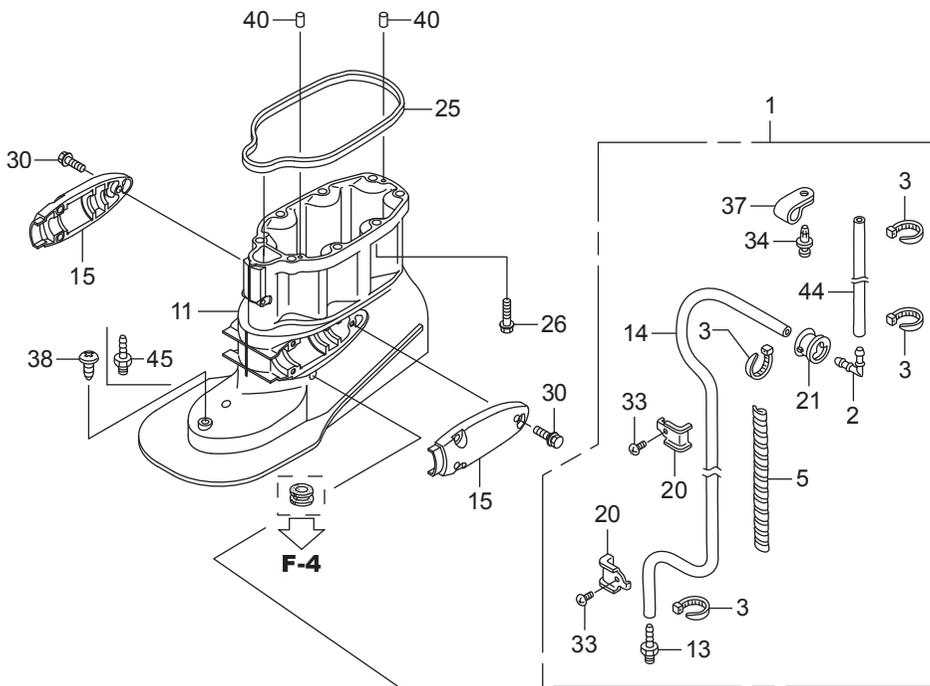
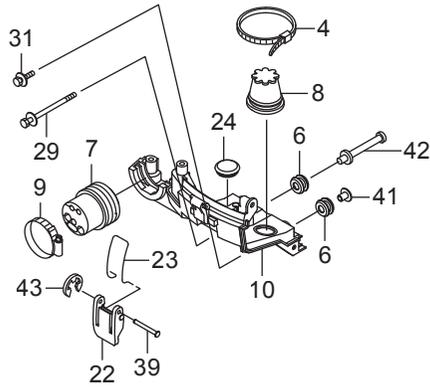




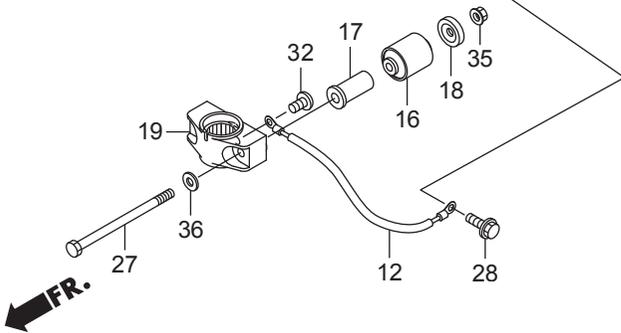




Ref.No.	Part No.	Description	Q' ty		Remarks	
			BET75A	BET90A		
F-3	1	HZY9-06411-010	TUBE KIT, SPEED SENSOR	1	1	
F-3	2	HGE1-17357-670	JOINT A, BREATHER	1	1	
F-3	3	HKM3-32161-003	BAND, WIRE	4	4	
F-3	4	HMG9-35701-950	BAND(BLACK 3.5X140)	1	1	
F-3	5	HZY6-36104-003	TUBE, SPIRAL	1	1	
F-3	6	HZV5-40102-000	GROMMET, UNDER CASE	3	3	
F-3	7	HZY9-40105-000	GROMMET, REMOTE CONTROL CABLE	1	1	
F-3	8	HZW1-40107-700	GROMMET, UNDER CASE(C)	1	1	
F-3	9	HZY3-40119-003	BAND, UNDER CASE GROMMET	1	1	
F-3	10	HZY9-40154-000ZC	BRACKET, FR. UNDER COVER	1	1	*T107* BAY BLUE
F-3	11	HZY9-40201-020ZC	CASE, EXTENSION	1	1	*T107* BAY BLUE
F-3	12	HZY6-40219-023	WIRE, LEAD(1.5X137MM)	1	1	
F-3	13	HZV5-41172-000	NIPPLE, SENSOR	1	1	
F-3	14	HZY9-41173-000	TUBE, SPEED SENSOR	1	1	
F-3	15	HZY9-50111-000ZC	HOUSING, LOWER MOUNTING	2	2	*T107* BAY BLUE
F-3	16	HZZ0-50155-000	MOUNT COMP., LOWER RUBBER	2	2	
F-3	17	HZY9-50156-000	COLLAR, LOWER MOUNTING	2	2	
F-3	18	HZY9-50157-000	STOPPER, LOWER MOUNT	2	2	
F-3	19	HZW1-50161-020ZC	HOUSING, LOWER CENTER MOUNTING	1	1	*T107* BAY BLUE
F-3	20	HZY6-50209-000	PLATE, SPEED SENSOR TUBE	2	2	
F-3	21	HZY6-56118-000	BUSH, MOTOR CODE	1	1	
F-3	22	HZY9-63232-010	LEVER, FASTENER	1	1	
F-3	23	HZY9-63237-000	WIRE, FASTENER	1	1	
F-3	24	HZC0-63515-700	CAP, L. SIDE COVER	1	1	
F-3	25	HZY9-63719-000	SEAL B, COVER UNDER	1	1	
F-3	26	HZY6-90002-000	BOLT, FLANGE, 10X40	8	8	
F-3	27	HZY9-90102-000	BOLT, HEX., 12X186	2	2	
F-3	28	HZW9-90103-010	BOLT, FLANGE, 6X12	1	1	
F-3	29	HZY9-90104-000	BOLT-WASHER, 6X95	1	1	

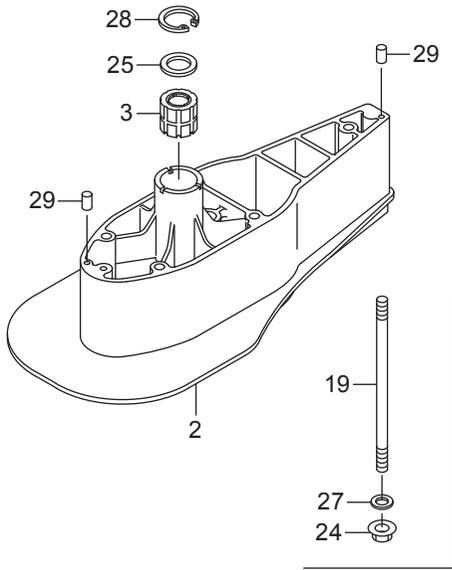


F-4

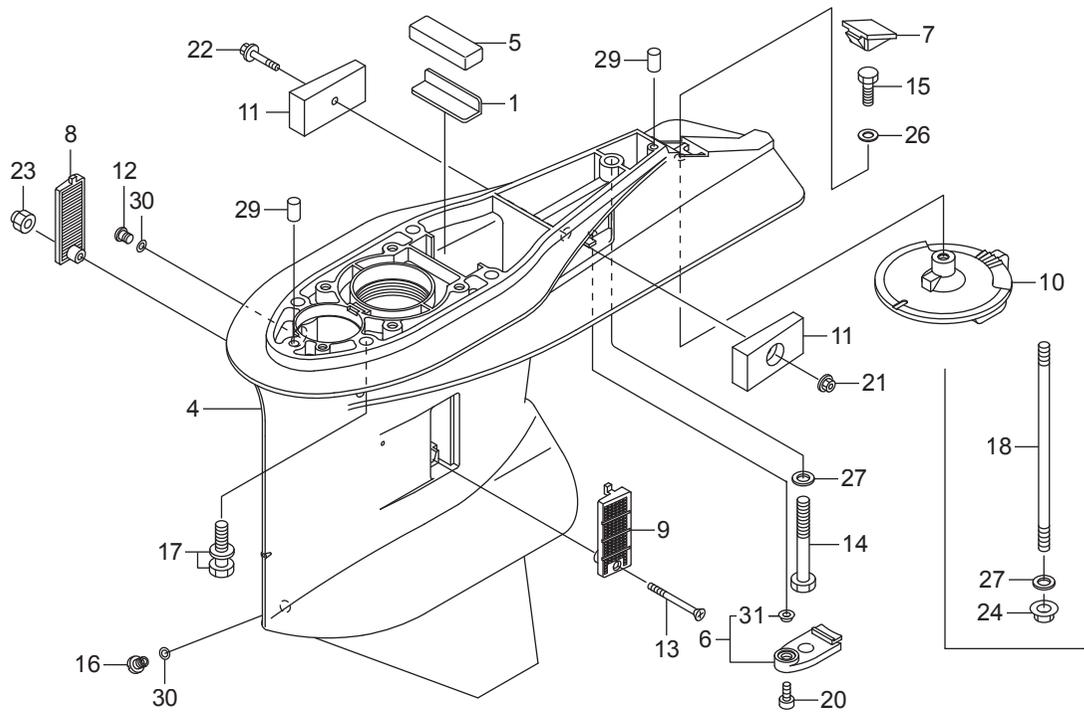


FR.





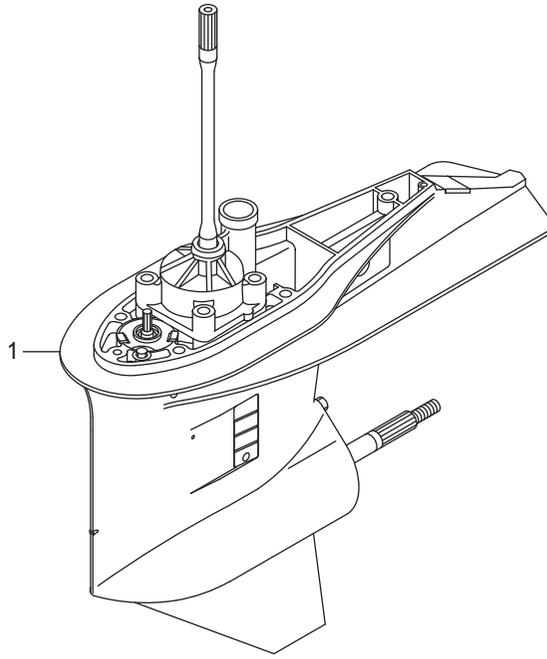
FR.



Ref.No.	Part No.	Description	Q' ty		Remarks	
			BET75A	BET90A		
F-3-10	1	HZW1-19286-B00	PLATE, RUBBER SETTING	1	1	
F-3-10	2	HZY9-40202-H50ZB	SEPARATOR, EXTENSION(XL)		1	*T107* BAY BLUE XRTA
F-3-10	3	HZW1-40210-710	BUSH COMP., VERTICAL SHAFT		1	XRTA
F-3-10	4	HZY9-41101-H00ZB	CASE, GEAR	1	1	*T107* BAY BLUE
F-3-10	5	HZW1-41102-B00	GROMMET, GEAR CASE	1	1	
F-3-10	6	HZZ0-41102-000	COVER B, GEAR CASE	1	1	
F-3-10	7	HZZ0-41103-000	GROMMET, GEAR CASE	1	1	
F-3-10	8	HZZ0-41104-010	SCREEN, R. WATER	1	1	
F-3-10	9	HZZ0-41105-010	SCREEN, L. WATER	1	1	
F-3-10	10	HZZ0-41107-000ZD	TAB, TRIM	1	1	*T107* BAY BLUE
F-3-10	11	HZW1-41109-B00	METAL COMP., ANODE	2	2	
F-3-10	12	HZW9-90101-003	BOLT, OIL CHECK	1	1	
F-3-10	13	HZZ0-90101-000	SCREW, FLAT, 5X55	1	1	
F-3-10	14	HZW1-90104-900	BOLT, HEX., 10X80	1	1	LRTA
F-3-10	15	HZV5-90115-000	BOLT, HEX., 8X25	1	1	
F-3-10	16	HZY3-90120-000	BOLT, DRAIN PLUG	1	1	
F-3-10	17	HZY6-90123-000	BOLT-WASHER, 10X40	4	4	LRTA
F-3-10	18	HZW1-90124-910	BOLT, STUD(10X202)		1	XRTA
F-3-10	19	HZW1-90125-910	BOLT, STUD(10X164)		4	XRTA
F-3-10	20	HZY3-90133-000	BOLT, SOCKET, 6X16	1	1	
F-3-10	21	HZY1-90205-000	NUT, SELF-LOCK, 6MM	1	1	
F-3-10	22	HHW1-90225-670	BOLT, FLANGE, 6X35	1	1	
F-3-10	23	HZV4-90302-000	NUT, SELF-LOCK, 5MM	1	1	
F-3-10	24	HZV5-90306-003	NUT, SELF-LOCK, 10MM		5	XRTA
F-3-10	25	HZW1-90501-710	WASHER, 26MM		1	XRTA
F-3-10	26	HZV4-90507-000	WASHER, PLAIN, 8MM	1	1	
F-3-10	27	HZV5-90563-000	WASHER, PLAIN, 10MM	1	1	LRTA
F-3-10	27	HZV5-90563-000	WASHER, PLAIN, 10MM		5	XRTA
F-3-10	28	HZW1-90651-710	CIRCLIP, INTERNAL, 40		1	XRTA

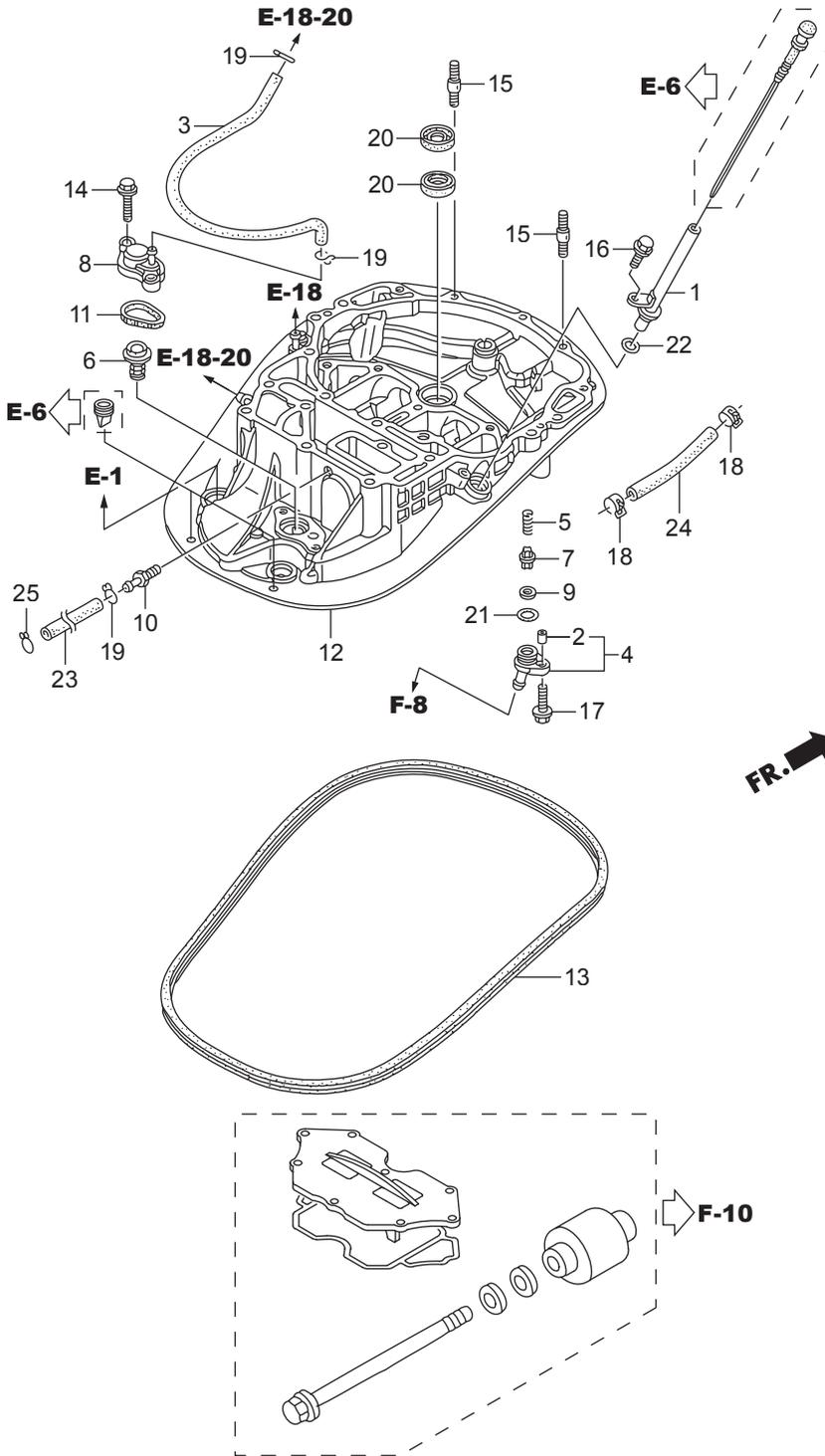




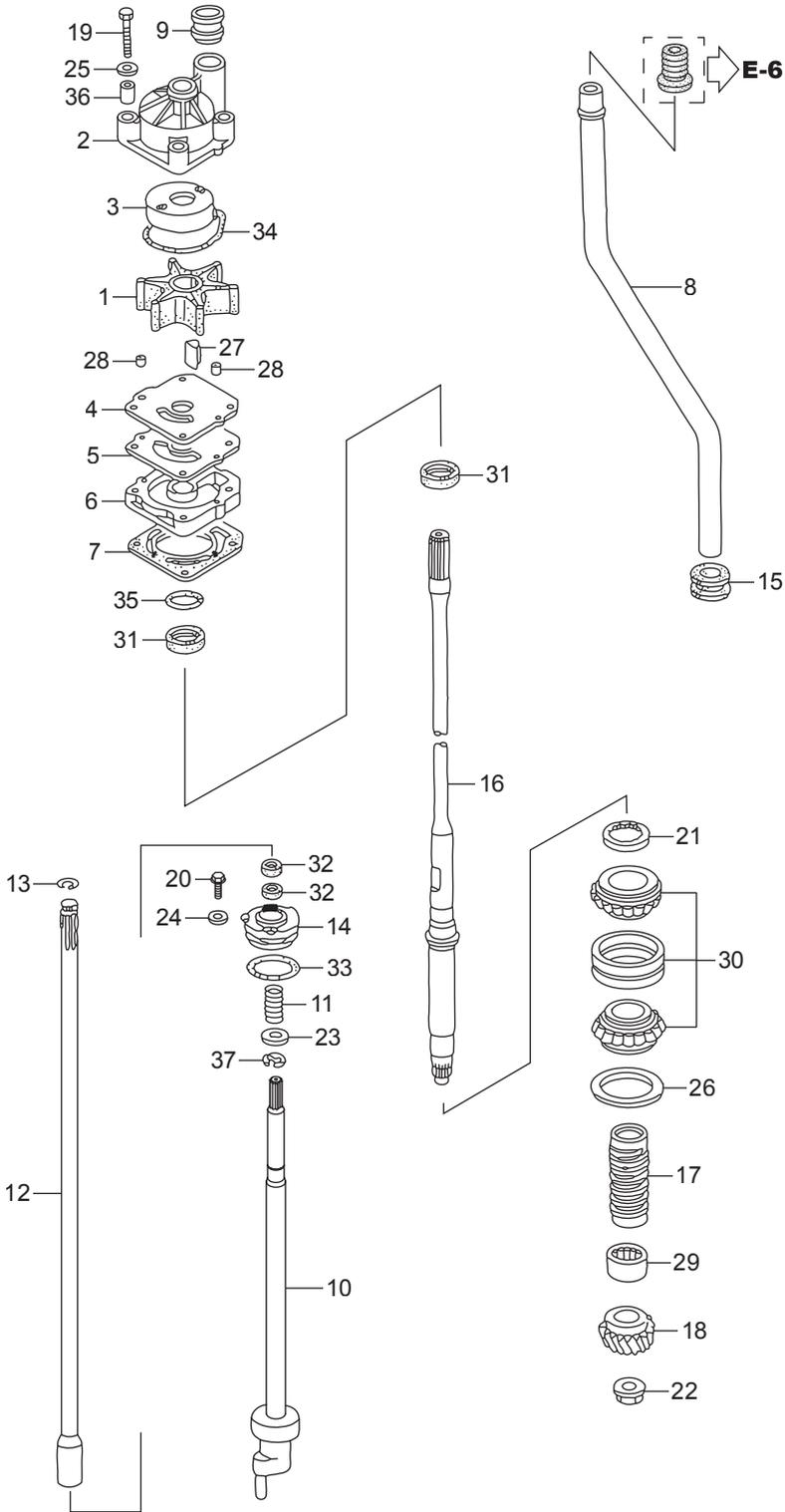




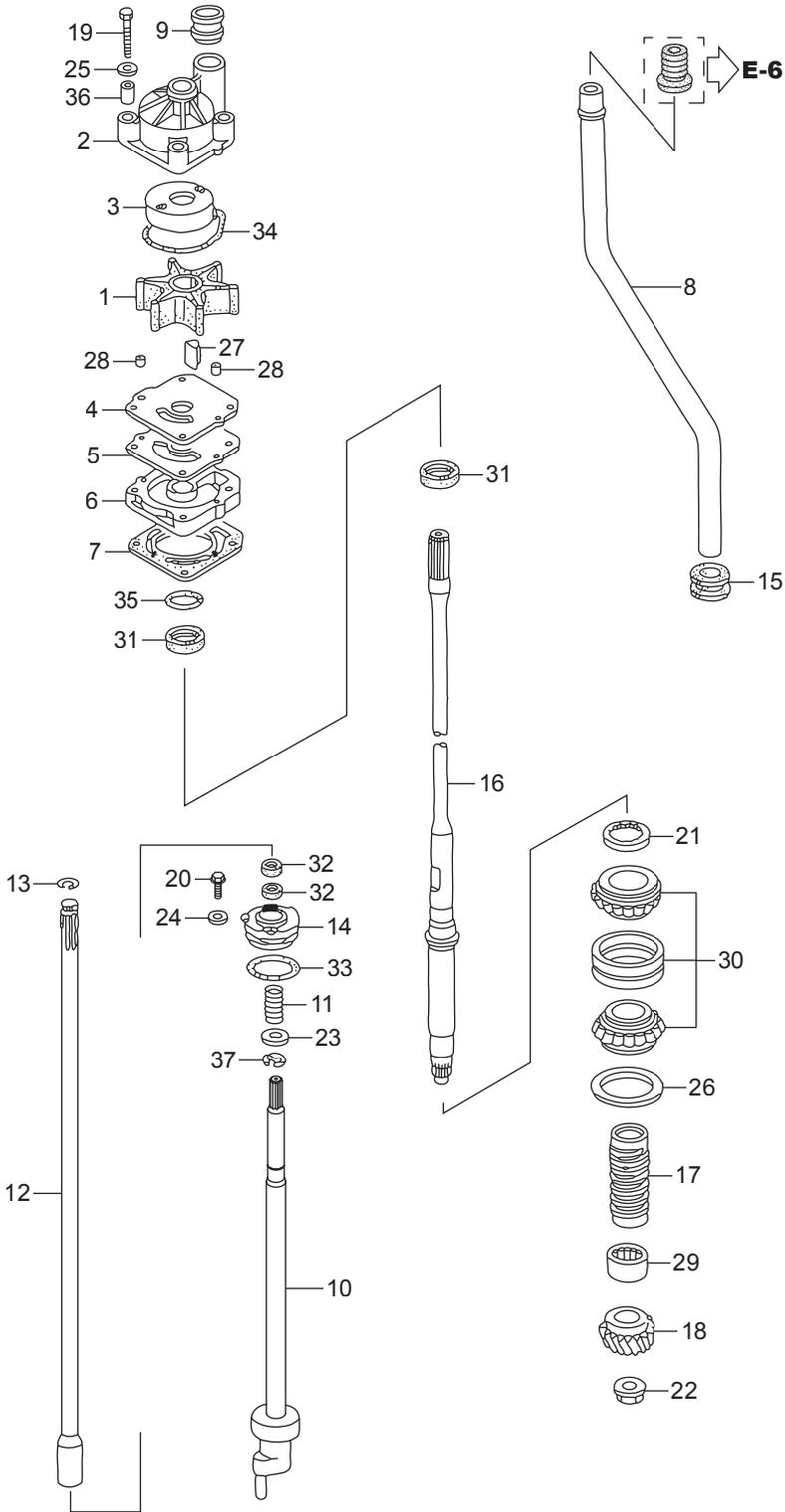




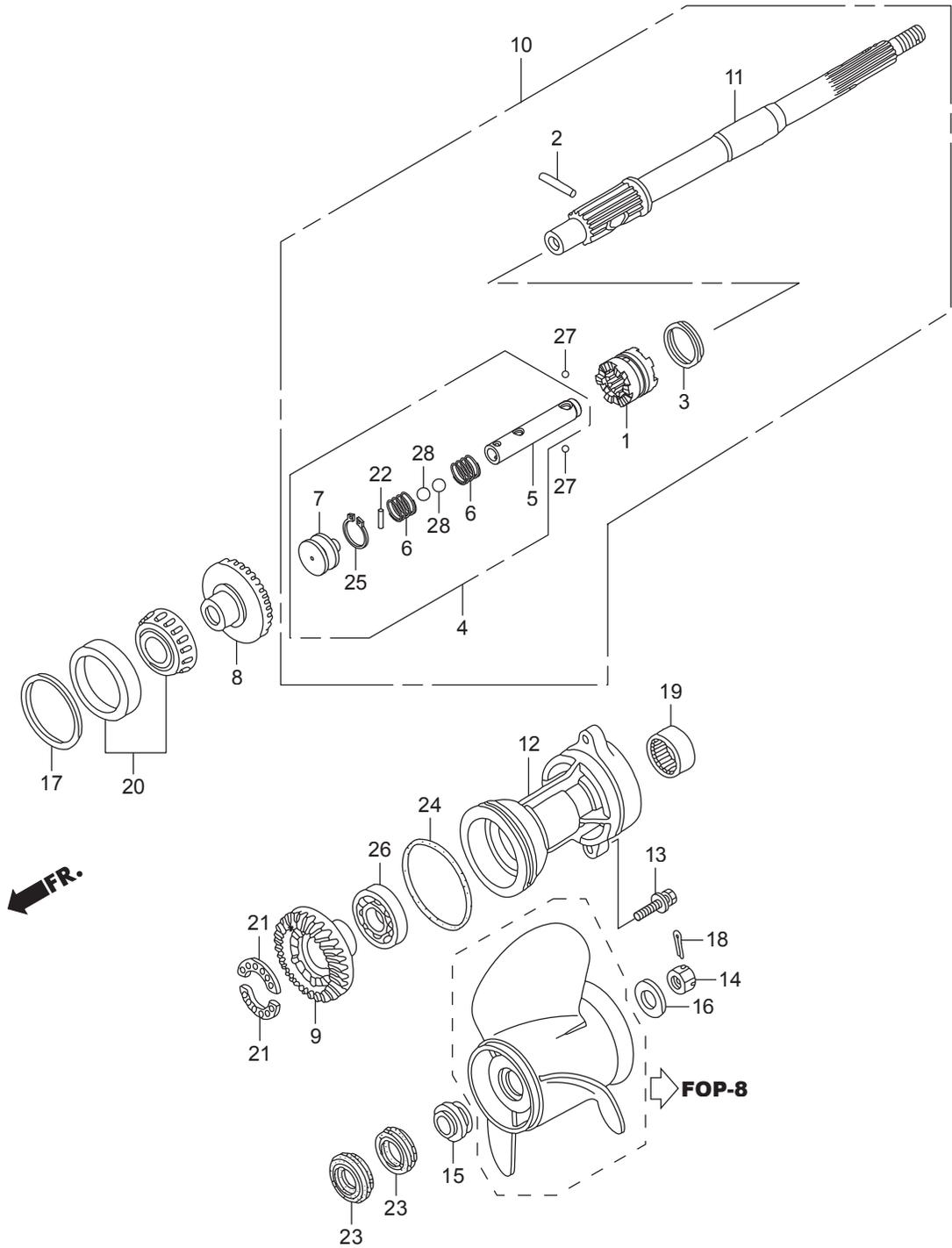
Ref.No.	Part No.	Description	Q' ty		Remarks	
			BET75A	BET90A		
F-3-30	1	HZY9-15665-000	PIPE COMP., OIL LEVEL	1	1	
F-3-30	2	HZV5-17202-310	COLLAR, DISTANCE, 6.5X11X7.5	1	1	
F-3-30	3	HZY9-19256-000	TUBE B, WATER	1	1	
F-3-30	4	HZY9-19277-000	COVER, FLUSH VALVE	1	1	
F-3-30	5	HZW9-19279-000	SPRING, FLUSH VALVE	1	1	
F-3-30	6	HZY6-19290-003	VALVE ASSY., RELIEF	1	1	
F-3-30	7	HZW9-19291-000	VALVE, FLASH	1	1	
F-3-30	8	HZY9-19295-000	COVER, RELIEF VALVE	1	1	
F-3-30	9	HZW9-19297-000	PACKING, FLASH VALVE	1	1	
F-3-30	10	HZW4-19312-H00	JOINT, WATER TUBE	1	1	
F-3-30	11	HZW9-19317-000	O-RING, THERMOSTAT COVER	1	1	
F-3-30	12	HZY9-23170-010ZA	CASE COMP., MOUNT	1	1	*NH8* DARK GRAY
F-3-30	13	HZY9-63718-000	SEAL A, COVER UNDER	1	1	
F-3-30	14	HZY3-90030-000	BOLT, FLANGE, 6X22	2	2	
F-3-30	15	HZY3-90043-000	BOLT, STUD, 8X28	2	2	
F-3-30	16	HZY3-90056-000	BOLT, FLANGE, 6X12	1	1	
F-3-30	17	HZW9-90105-000	BOLT, FLANGE, 6X20	1	1	
F-3-30	18	HZY3-90601-030	CLAMP, TUBE(D10.5)	2	2	
F-3-30	19	HZV4-90603-000	CLIP, TUBE(B10)	3	3	
F-3-30	20	HZW5-91202-003	SEAL, WATER, 22X35X7	2	2	
F-3-30	21	H800-91303-000	O-RING, 16MM	1	1	
F-3-30	22	HPJ7-91309-010	O-RING, 11.5X3.5	1	1	
F-3-30	23	HZY9-91402-000	TUBE, WATER CHECK	1	1	
F-3-30	24	HCO-95005-70110-30	TUBE, 7X110	1	1	(HC-95005-70001-30M)
F-3-30	25	HGHB-16163-600	CLIP, TUBE	1	1	



Ref.No.	Part No.	Description	Q' ty		Remarks	
			BET75A	BET90A		
F-4	1	HZY9-19210-H01	IMPELLER, PUMP	1	1	
F-4	2	HZY9-19221-H00	HOUSING, IMPELLER	1	1	
F-4	3	HZY9-19223-H00	LINER, PUMP	1	1	
F-4	4	HZY9-19231-H00	COVER, IMPELLER	1	1	
F-4	5	HZW1-19234-B00	GASKET B, IMPELLER	1	1	
F-4	6	HZZ0-19241-000	HOUSING, WATER PUMP	1	1	
F-4	7	HZW1-19242-B00	GASKET, WATER PUMP	1	1	
F-4	8	HZY9-19251-000	TUBE, WATER(L)	1	1	LRTA
F-4	8	HZY9-19251-610	TUBE, WATER(XL)		1	XRTA
F-4	9	HZW1-19253-B01	RING, WATER TUBE SEAL	1	1	
F-4	10	HZZ0-24310-000	ROD COMP., SHIFT(L)	1	1	
F-4	11	HZY3-24318-000	SPRING, SHIFT ROD	1	1	
F-4	12	HZW1-24320-B00	ROD A COMP., SHIFT(L)	1	1	LRTA
F-4	12	HZY9-24320-610	ROD A COMP., SHIFT(XL)		1	XRTA
F-4	13	HZW1-24327-000	RING, STOPPER	1	1	
F-4	14	HZY9-24343-H00	HOLDER, SHIFT ROD	1	1	
F-4	15	HZW1-40204-000	GROMMET, EXTENSION CASE	1	1	
F-4	16	HZW1-41112-B03	SHAFT, VERTICAL(L)	1	1	LRTA
F-4	16	HZW1-41112-B33	SHAFT, VERTICAL(UL)		1	XRTA
F-4	17	HZW1-41116-B00	SLINGER, OIL	1	1	
F-4	18	HZW1-41131-B01	GEAR, PINION(12T)	1	1	
F-4	19	HZV5-90010-000	BOLT, HEX., 8X55	4	4	
F-4	20	HZW9-90102-000	BOLT, FLANGE, 6X12	1	1	
F-4	21	HZW1-90242-000	NUT, LOCK, 64MM	1	1	
F-4	22	HZW1-90303-B03	NUT, HEX., 16MM	1	1	
F-4	23	H723-90472-000	WASHER, PLAIN, 12MM	1	1	
F-4	24	HZV4-90511-000	WASHER, PLAIN, 6MM	1	1	
F-4	25	H921-90514-000	WASHER, 8MM	4	4	
F-4	26	HZW1-90518-B00	SHIM A, GEAR(0.10)	1	1	

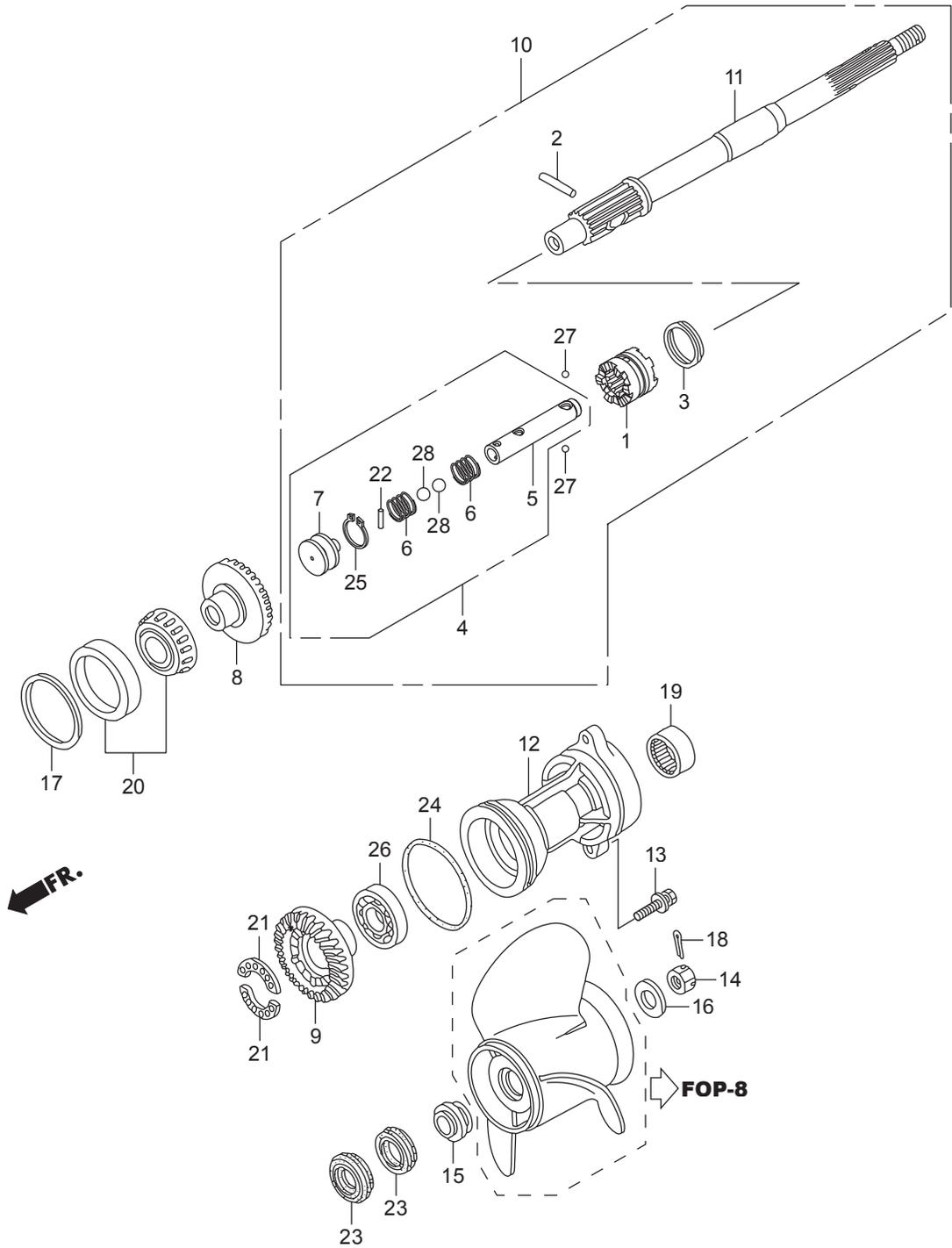




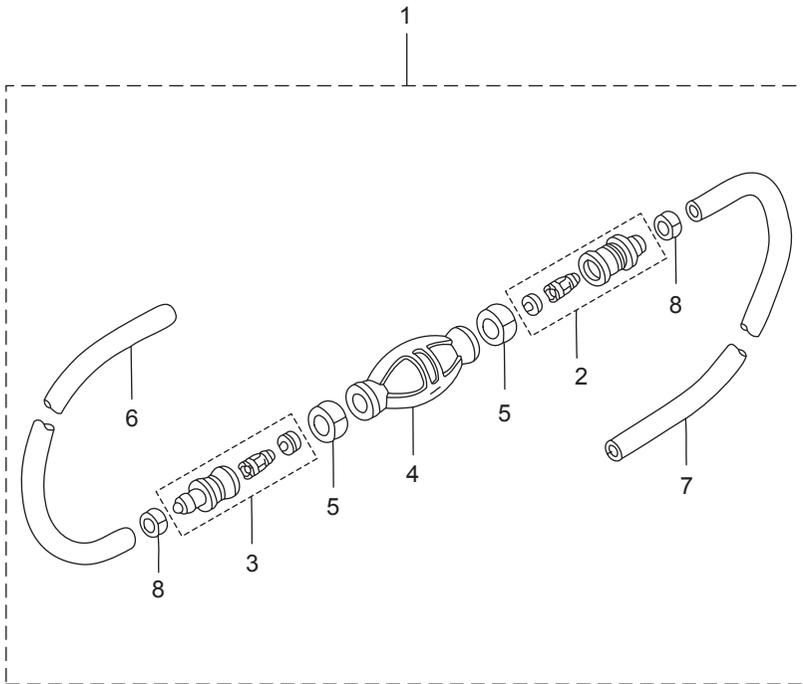




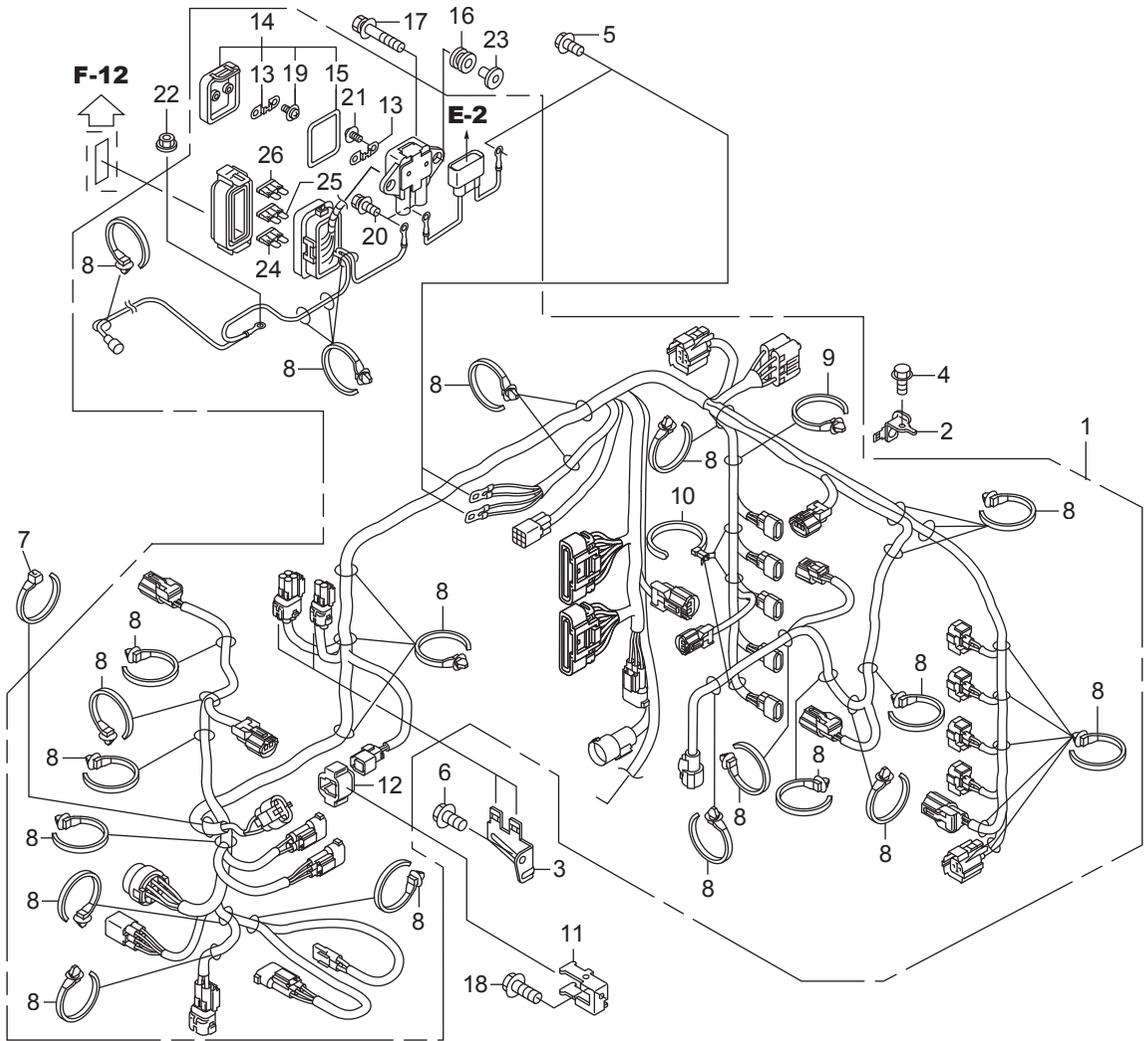
Ref.No.	Part No.	Description	Q' ty		Remarks	
			BET75A	BET90A		
F-5	1	HZZ0-24101-010	SHIFTER, CLUTCH	1	1	
F-5	2	HZW1-24102-B00	PIN, SHIFTER, 8X47	1	1	
F-5	3	HZW1-24103-B00	RING, CROSS PIN	1	1	
F-5	4	HZZ0-24113-000	SLIDER COMP., SHIFT	1	1	
F-5	5	HZZ0-24122-000	SLIDER, SHIFT	1	1	
F-5	6	HZZ0-24123-000	SPRING, SHIFT	2	2	
F-5	7	HZZ0-24124-000	PLATE, SHIFT	1	1	
F-5	8	HZZ0-41140-010	GEAR COMP., FR. BEVEL	1	1	
F-5	9	HZY9-41151-H00	GEAR, RR. BEVEL	1	1	
F-5	10	HZZ0-41160-010	SHAFT ASSY., PROPELLER	1	1	
F-5	11	HZZ0-41161-000	SHAFT, PROPELLER	1	1	
F-5	12	HZW1-41201-B02ZD	HOLDER, PROPELLER SHAFT	1	1	*T107* BAY BLUE
F-5	13	HZY6-90123-000	BOLT-WASHER, 10X40	2	2	
F-5	14	HZW1-90301-B00	NUT, CASTLE, 18MM	1	1	
F-5	15	HZW1-90506-B00	WASHER, PROPELLER THRUST	1	1	
F-5	16	HZW1-90508-B00	WASHER, PLAIN, 18.5MM	1	1	
F-5	17	HZW1-90528-B00	SHIM A, BEVEL(FR.)(0.10)	1	1	
F-5	17	HZW1-90529-B00	SHIM B, BEVEL(FR.)(0.15)	1	1	
F-5	17	HZW1-90530-B00	SHIM C, BEVEL(FR.)(0.30)	1	1	
F-5	17	HZW1-90531-B00	SHIM D, BEVEL(FR.)(0.50)	1	1	
F-5	18	HZW1-90758-B00	PIN, SPLIT, 4.0	1	1	
F-5	19	HMY5-91005-601	BEARING, NEEDLE, 30X37X26	1	1	
F-5	20	HZW1-91051-B02	BEARING, TAPERED ROLLER	1	1	(50X82X21.5)
F-5	21	HZW5-91054-003	BEARING, BALL(28X38X3)	2	2	
F-5	22	HZW1-91101-003	ROLLER, 3X12.8	1	1	
F-5	23	HZZ3-91252-003	SEAL, WATER, 30X45X7	2	2	
F-5	24	HZW1-91351-B02	O-RING, 94X4.1	1	1	
F-5	25	HCO-94510-14000	CIRCLIP, EXTERNAL, 14MM	1	1	
F-5	26	HCO-96100-62080-00	BEARING, RADIAL BALL, 6208	1	1	



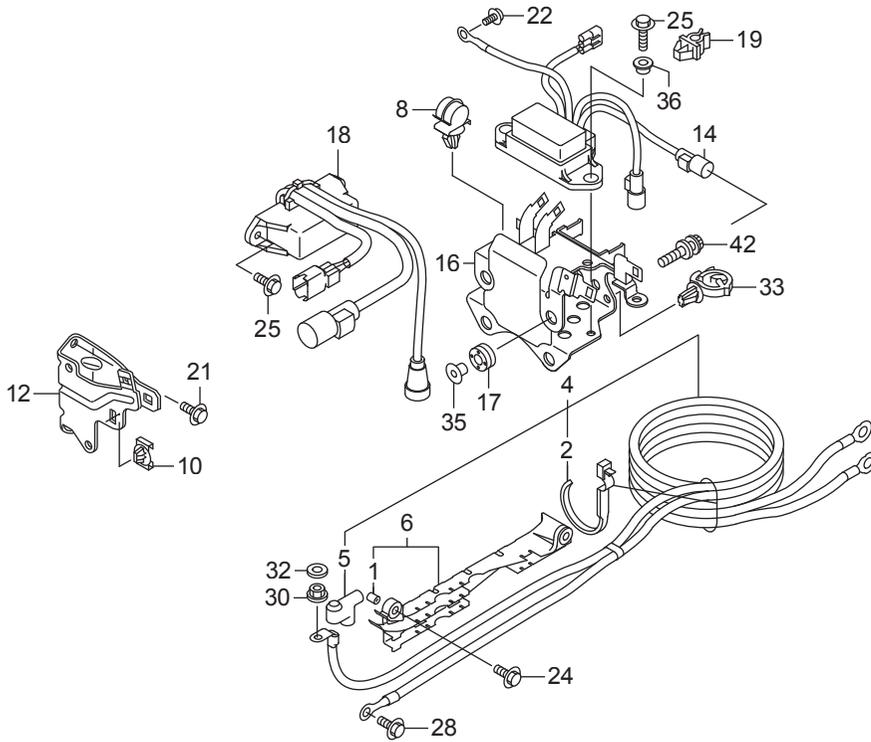






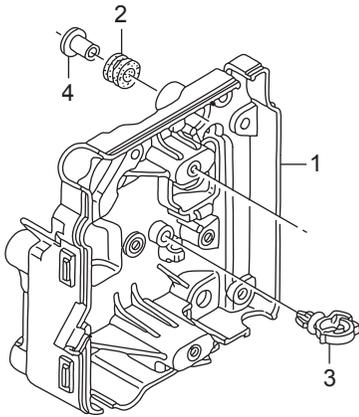


Ref.No.	Part No.	Description	Q' ty		Remarks	
			BTT75A	BET90A		
F-7	1	HZY9-32100-H00	HARNESS ASSY., MAIN WIRE	1		
F-7	1	HZZ0-32100-H00	HARNESS ASSY., MAIN WIRE		1	
F-7	2	HZY9-32101-000	BRACKET A, COUPLER	1	1	
F-7	3	HZY9-32103-000	BRACKET C, COUPLER	1	1	
F-7	4	HZW9-90011-000	BOLT, FLANGE, 6X14(CT200)	1	1	
F-7	5	HZW9-90013-000	BOLT, FLANGE, 6X12	3	3	
F-7	6	HZW9-90014-000	BOLT, FLANGE, 6X10	1	1	
F-7	7	HZY9-90652-003	BAND, WIRE HARNESS	1	1	
F-7	8	HS0A-91541-003	CLIP, HARNESS BAND(BLACK)	31	31	(145MM)
F-7	9	HSW5-91551-003	CLIP, HARNESS BAND(BROWN)	1	1	(151MM)
F-7	10	HSJ6-91558-003	STRAP, HARNESS(30)(BLACK)	3	3	(107.5MM)
F-7	11	HZY9-32104-H00	BRACKET, COUPLER	1	1	
F-7	12	HZZ3-32127-000	SUSPENSION, COUPLER	1	1	
F-7	13	HZY9-38201-003	FUSE(70A)	2	2	
F-7	14	HZY9-38216-003	COVER ASSY., FUSE(70A)	1	1	
F-7	15	HZY9-38233-000	PACKING, FUSE BOX COVER	1	1	
F-7	16	HZW1-38551-000	GROMMET, RELAY	2	2	
F-7	17	HZW2-90003-000	BOLT-WASHER, 6X27(CT200)	2	2	
F-7	18	HZW9-90011-000	BOLT, FLANGE, 6X14(CT200)	1	1	
F-7	19	HZW5-90105-003	SCREW-WASHER, 3X7	2	2	
F-7	20	HZW5-90106-000	BOLT-WASHER, 5X9	2	2	
F-7	21	HSB2-90153-003	SCREW-WASHER, 5X10	2	2	
F-7	22	HZW1-90203-000	NUT-WASHER, 8MM	1	1	
F-7	23	HZV5-91553-010	COLLAR, C.D.I. UNIT CASE	2	2	
F-7	24	HCO-98200-41000	FUSE, MINI(10A)	4	4	
F-7	25	HCO-98200-41500	FUSE, MINI(15A)	3	3	
F-7	26	HCO-98200-43000	FUSE, MINI(30A)	2	2	

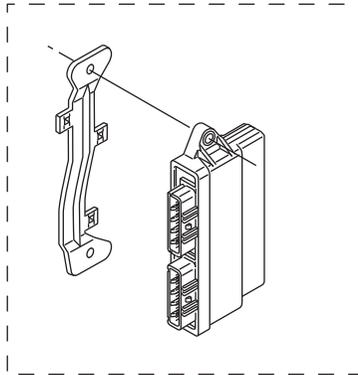




Ref.No.	Part No.	Description	Q' ty		Remarks	
			BET75A	BET90A		
F-7-10	1	HZV5-17202-310	COLLAR, DISTANCE, 6.5X11X7.5	2	2	
F-7-10	2	HHA0-32121-003	BAND, CORD	1	1	
F-7-10	4	HZY9-32410-000	CABLE ASSY., STARTER	1	1	
F-7-10	5	HZY3-32411-003	COVER, STARTER TERMINAL	1	1	
F-7-10	6	HZY9-32418-000	HOLDER COMP., STARTER CABLE	1	1	
F-7-10	8	HMJ6-32660-710	CLAMPER, CORD	1	1	
F-7-10	10	HZY3-38216-003	CLIP, COUPLER HOLDER(B)	1	1	
F-7-10	12	HZY9-38217-000	BRACKET, FUSE BOX	1	1	
F-7-10	14	HZY9-38550-003	RELAY ASSY., POWER TILT	1	1	
F-7-10	16	HZY9-38552-000	BRACKET, RELAY	1	1	
F-7-10	17	HZY9-38553-003	GROMMET, RELAY BRACKET	4	4	
F-7-10	18	HZY9-38580-003	RELAY ASSY., MAIN	1	1	
F-7-10	19	HSZ5-91531-003	CLIP, TUBE, 3.5	1	1	
F-7-10	21	HZW9-90011-000	BOLT, FLANGE, 6X14(CT200)	2	2	
F-7-10	22	HZW9-90013-000	BOLT, FLANGE, 6X12	1	1	
F-7-10	24	HZW5-90018-000	BOLT, FLANGE, 6X20	2	2	
F-7-10	25	HZY3-90021-000	BOLT, FLANGE, 6X14	4	4	
F-7-10	28	HZY3-90107-000	BOLT, FLANGE, 8X18	1	1	
F-7-10	30	HZW1-90203-000	NUT-WASHER, 8MM	1	1	
F-7-10	32	HZY3-90405-000	WASHER, PLAIN, 8MM	1	1	
F-7-10	33	HSA0-90683-003	CLIP, WIRE HARNESS, 25MM	1	1	
F-7-10	35	HZV5-91553-010	COLLAR, C.D.I. UNIT CASE	4	4	
F-7-10	36	HZY9-91555-000	COLLAR, P.T.T. RELAY	2	2	
F-7-10	42	HZW2-90003-000	BOLT-WASHER, 6X27(CT200)	4	4	



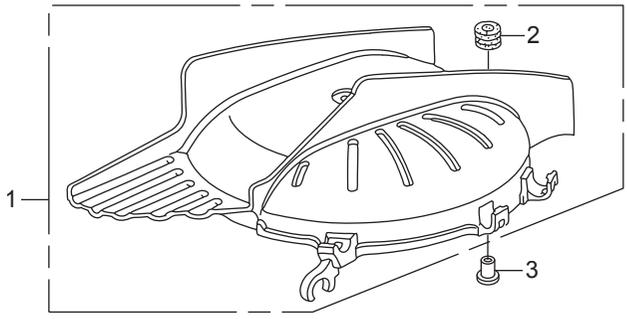
E-20-10



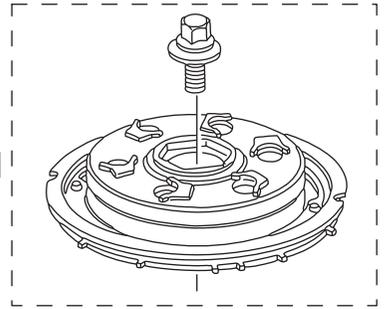


FR. 

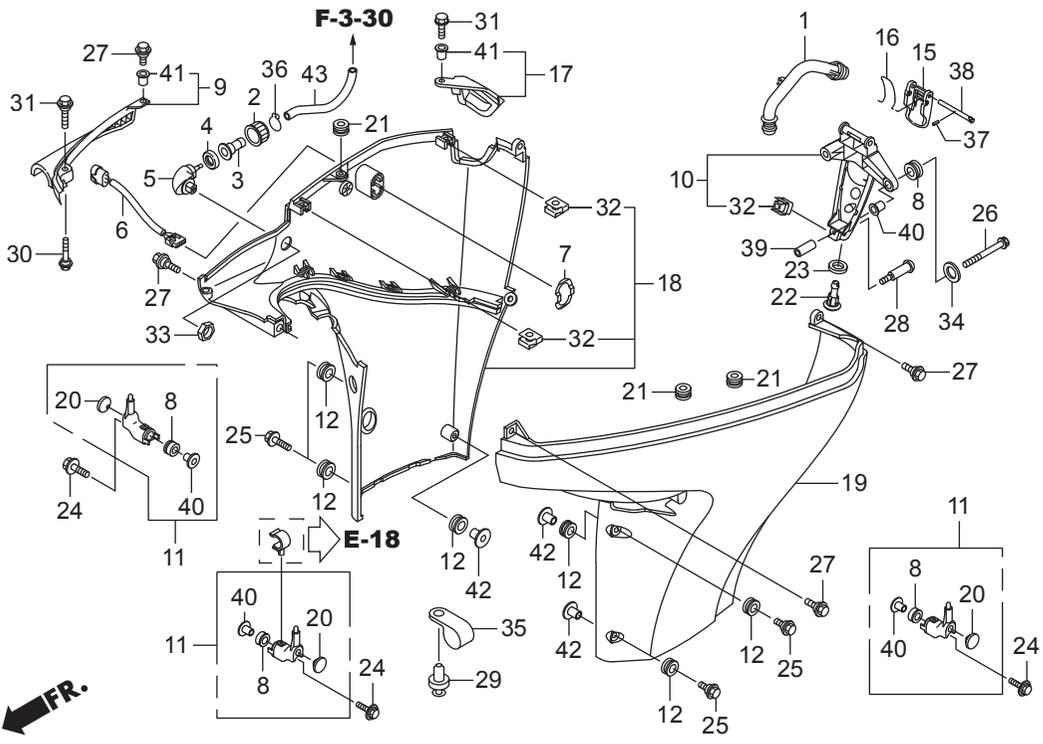
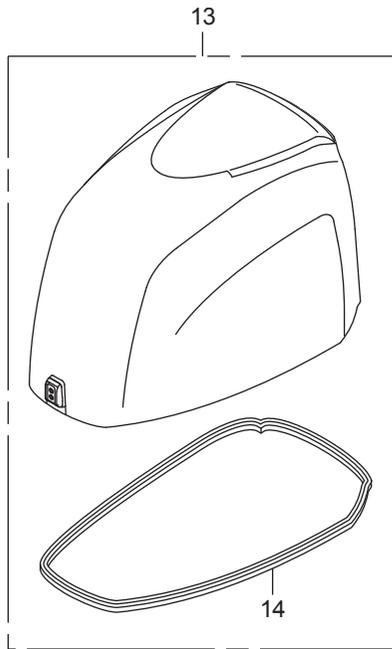
F-12  



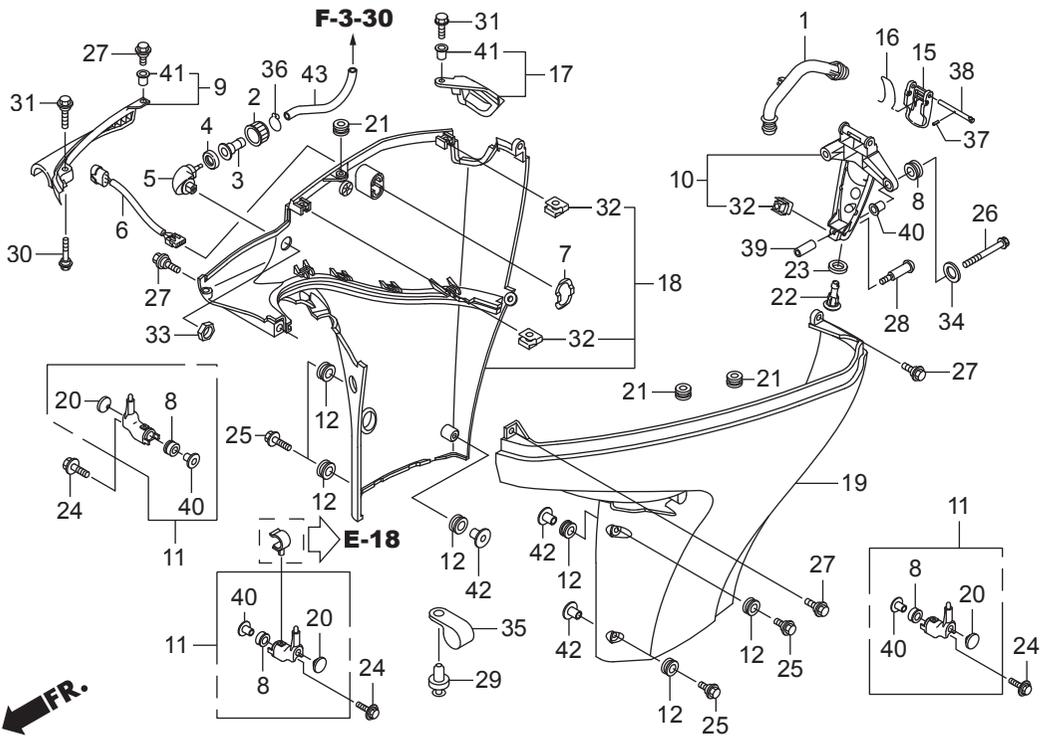
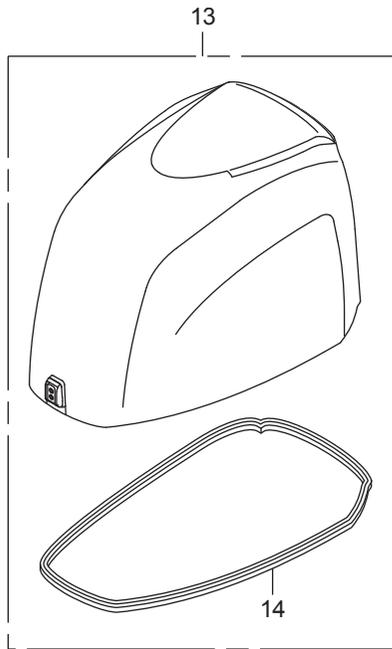
E-19 





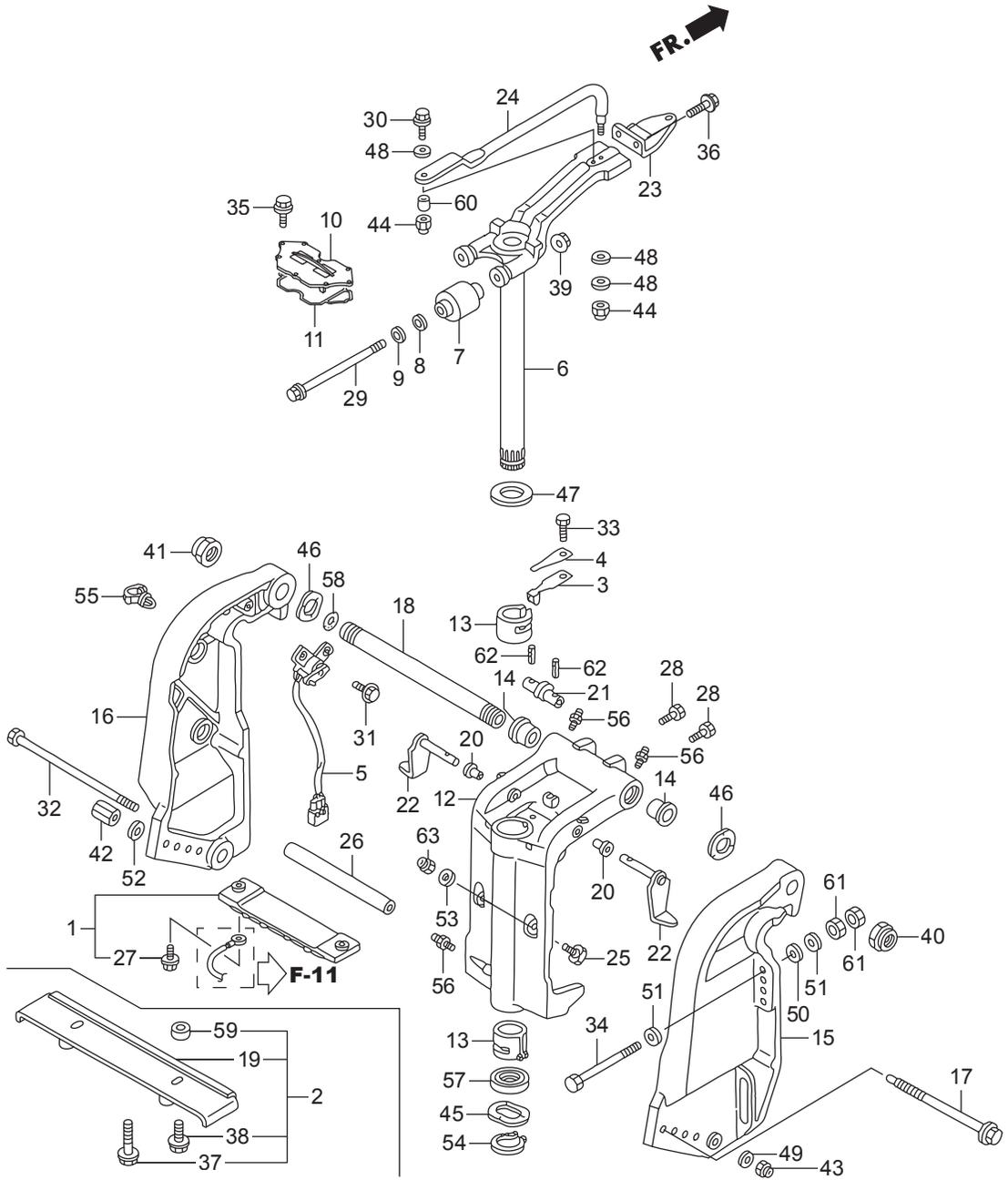


Ref.No.	Part No.	Description	Q' ty		Remarks	
			BET75A	BET90A		
F-8	1	HZY9-18211-000	PORT, IDLE EXHAUST	1	1	
F-8	2	HZY3-19270-000	NUT, WATER MOUTH	1	1	
F-8	3	HZY3-19271-000	JOINT, WATER HOSE	1	1	
F-8	4	HZY3-19272-000	SEAT, WATER MOUTH	1	1	
F-8	5	HZY6-19289-000	CAP, WATER JOINT	1	1	
F-8	6	HZY9-35640-003	SWITCH ASSY., POWER TILT	1	1	
F-8	7	HZY9-35645-000	STAY, POWER TILT SWITCH	1	1	
F-8	8	HZV5-40102-000	GROMMET, UNDER CASE	5	5	
F-8	9	HZY9-40151-000ZD	COVER, SEPARATE FRONT	1	1	*T107* BAY BLUE
F-8	10	HZY9-40155-010	BRACKET, UNDER COVER	1	1	
F-8	11	HZY9-40165-010	STOPPER ASSY., ENGINE SIDE	3	3	
F-8	12	HMB6-61102-631	RUBBER, FENDER MOUNTING	6	6	
F-8	13	HZY9-63100-020ZC	COVER ASSY., ENGINE	1	1	*T107* BAY BLUE
F-8	14	HZY9-63102-000	SEAL, ENGINE COVER	1	1	
F-8	15	HZY9-63232-010	LEVER, FASTENER	1	1	
F-8	16	HZY9-63237-000	WIRE, FASTENER	1	1	
F-8	17	HZY9-63347-010ZC	COVER, PLUG MAINTENANCE	1	1	*T107* BAY BLUE
F-8	18	HZY9-63711-010ZC	COVER COMP., R. ENGINE UNDER	1	1	*T107* BAY BLUE
F-8	19	HZY9-63716-010ZC	COVER COMP., L. ENGINE UNDER	1	1	*T107* BAY BLUE
F-8	20	H965-77212-000	RUBBER, SEAT SIDE	3	3	
F-8	21	HGJ5-80103-000	GROMMET, ENGINE COVER	3	3	
F-8	22	HZY9-82873-000	GROMMET, WATER CHECK	1	1	
F-8	23	HZY9-82874-000	SEAL, WATER CHECK GROMMET	1	1	
F-8	24	HZW2-90003-000	BOLT-WASHER, 6X27(CT200)	3	3	
F-8	25	HZY9-90103-000	BOLT-WASHER, 6X22	6	6	
F-8	26	HZY9-90106-000	BOLT, FLANGE, 6X55	2	2	
F-8	27	HZY3-90111-000	BOLT, SPECIAL, 6X17	6	6	
F-8	28	HZY9-90113-003	BOLT, RR. BRACKET	1	1	
F-8	29	HZV5-90127-003	SCREW, RIVET, 5X10	1	1	

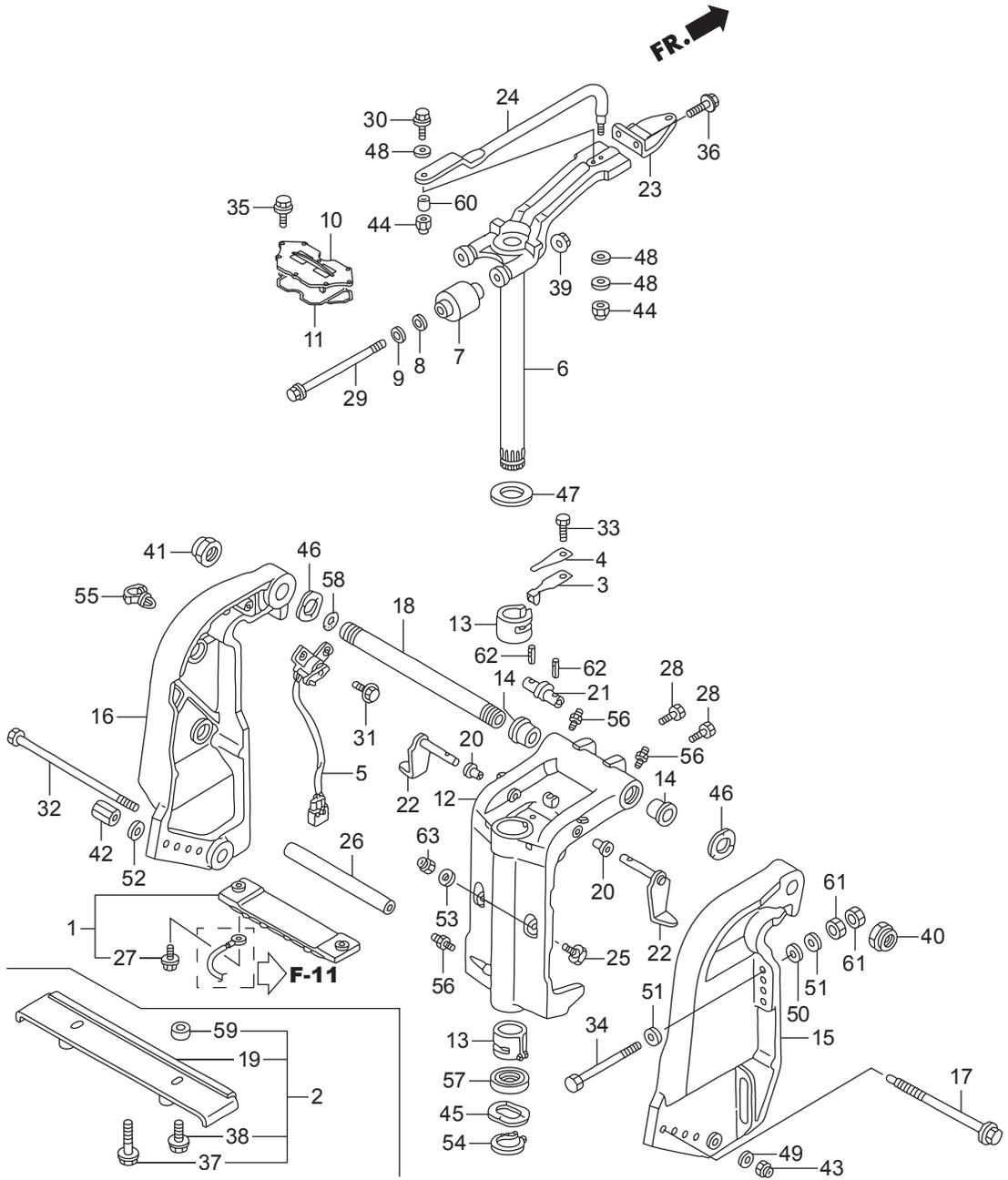




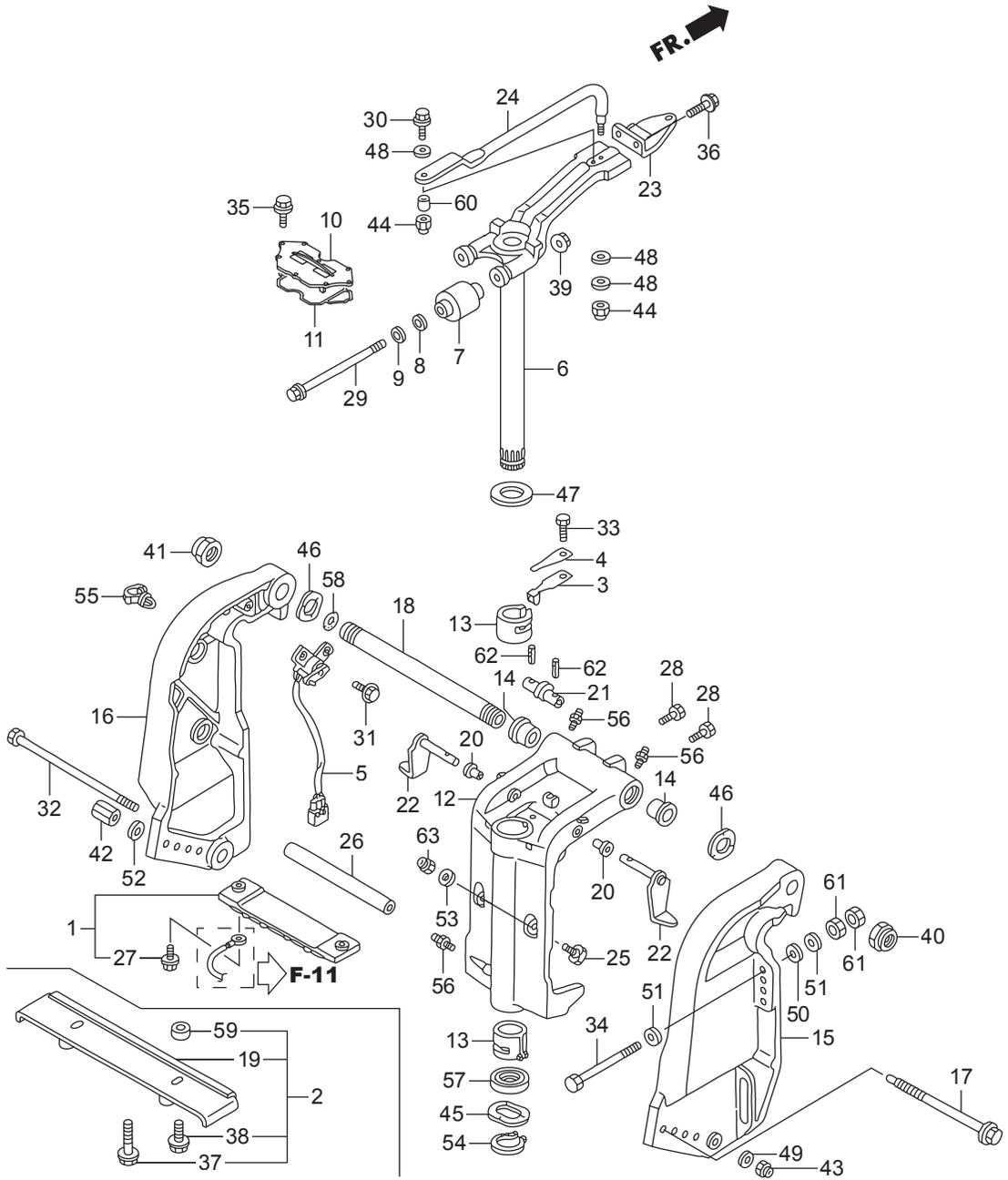




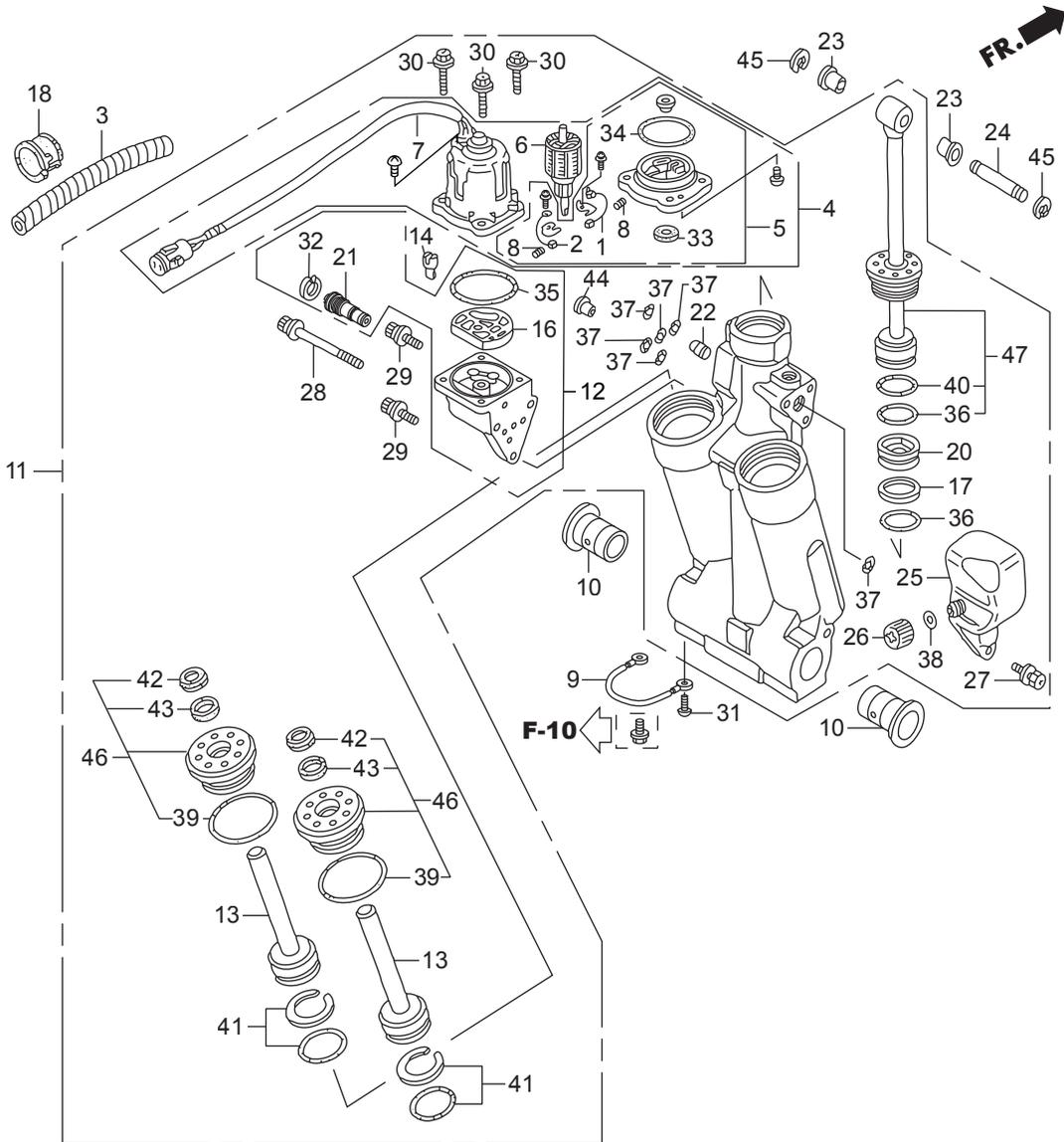
Ref.No.	Part No.	Description	Q' ty		Remarks	
			BET75A	BET90A		
F-10	1	HZW1-06411-020	METAL KIT, ANODE	1	1	
F-10	2	HZY9-06534-000	PLATE KIT, SPLASH	1	1	
F-10	3	HZV1-24210-010	SPRING COMP., CLICK	1	1	
F-10	4	HZV4-24221-010	SPRING, CLICK ASSIST	1	1	
F-10	5	HZY9-35660-003	SENSOR ASSY., TRIM ANGLE	1	1	
F-10	6	HZY9-50100-020	FRAME COMP., MOUNTING	1	1	
F-10	7	HZZ0-50151-000	MOUNT COMP., UPPER RUBBER	2	2	
F-10	8	HZY9-50153-000	RUBBER, UPPER MOUNT STOPPER	2	2	
F-10	9	HZY9-50158-000	STOPPER, UPPER MOUNT	2	2	
F-10	10	HZY9-50166-010	COVER, UPPER MOUNT	1	1	
F-10	11	HZY9-50168-000	SEAL, UPPER MOUNT COVER	1	1	
F-10	12	HZY9-50201-H00ZB	CASE, SWIVEL	1	1	*T107* BAY BLUE
F-10	13	HZZ5-50211-000	LINER, SWIVEL CASE	2	2	
F-10	14	HZW1-50214-000	BUSH, SWIVEL CASE	2	2	
F-10	15	HZY9-50301-020ZC	BRACKET, R. STERN	1	1	*T107* BAY BLUE
F-10	16	HZY9-50311-020ZC	BRACKET, L. STERN	1	1	*T107* BAY BLUE
F-10	17	HZW5-50341-010	ROD, ADJUSTING	1	1	
F-10	18	HZY9-50381-000	SHAFT, TILTING	1	1	
F-10	19	HZY9-50412-000	PLATE COMP., SPLASH	1	1	
F-10	20	HZV5-50522-000	BUSH, TILT ARM	2	2	
F-10	21	HZW1-50527-000	BRACKET, TILTING	1	1	
F-10	22	HZW1-50529-000	STOPPER, TILT	2	2	
F-10	23	HZW1-53234-010	PLATE, STEERING	1	1	
F-10	24	HZW1-53238-010	ROD, STEERING	1	1	
F-10	25	HZW1-56516-000	RECEIVER, THRUST	2	2	
F-10	26	HZW1-56539-000	COLLAR, LOWER CYLINDER	1	1	
F-10	27	HZW9-90009-000	BOLT, FLANGE, 6X23	2	2	
F-10	28	HZW1-90102-000	BOLT, 1/4-28UNF	2	2	
F-10	29	HZY9-90102-000	BOLT, HEX., 12X186	2	2	



Ref.No.	Part No.	Description	Q' ty		Remarks	
			BET75A	BET90A		
F-10	30	HZW1-90105-000	BOLT, 3/8-24UNF	1	1	
F-10	31	HZW9-90105-000	BOLT, FLANGE, 6X20	2	2	
F-10	32	HZW1-90108-000	BOLT, HEX., 10X235	1	1	
F-10	33	H881-90110-000	BOLT, HEX., 6X14	1	1	
F-10	34	HZZ3-90129-000	BOLT, HEX., 12X119	4	4	
F-10	35	HZW4-90151-000	BOLT, FLANGE, 8X25	8	8	
F-10	36	HZW9-90154-000	BOLT, FLANGE, 10X25	2	2	
F-10	37	HHW1-90214-671	BOLT, FLANGE, 6X25(SUS-D)	2	2	
F-10	38	HHW1-90215-671	BOLT, FLANGE, 6X16	2	2	
F-10	39	HZW5-90302-003	NUT, FLANGE, 12MM	2	2	
F-10	40	HZV5-90304-013	NUT, SELF-LOCK(7/8-14UNF)	1	1	
F-10	41	HZW1-90304-013	NUT, SELF-LOCK(25X2.0)	1	1	
F-10	42	HZW5-90304-000	NUT, ADJUSTER ROD	1	1	
F-10	43	HZW4-90306-003	NUT, FLANGE, 10MM	1	1	
F-10	44	HZV5-90307-003	NUT, SELF-LOCK(3/8-24UNF)	2	2	
F-10	45	HZV5-90501-000	WASHER, WAVE, 40MM	1	1	
F-10	46	HZV5-90502-000	WASHER, WAVE, 26MM	2	2	
F-10	47	HZV5-90504-000	WASHER, THRUST, 34MM	1	1	
F-10	48	HZV4-90514-000	WASHER, 10MM	3	3	
F-10	49	H921-90511-000	WASHER, PLAIN, 10MM	1	1	
F-10	50	HZV5-90552-000	WASHER, PLAIN, 12MM	4	4	
F-10	51	HZV5-90559-000	WASHER, PLAIN, 12MM	8	8	
F-10	52	HZV5-90559-000	WASHER, PLAIN, 12MM	1	1	
F-10	53	HZV5-90563-000	WASHER, PLAIN, 10MM	2	2	
F-10	54	HZW4-90651-000	CIRCLIP, EXTERNAL, 39MM	1	1	
F-10	55	H763-90681-A01	CLIP, WIRE HARNESS	1	1	
F-10	56	HZV7-90951-010	NIPPLE, GREASE	3	3	
F-10	57	HZV5-91256-003	OIL SEAL, 39.5X52X6(ARAI)	1	1	
F-10	58	HZV5-91352-000	O-RING, 15.54X2.26	1	1	

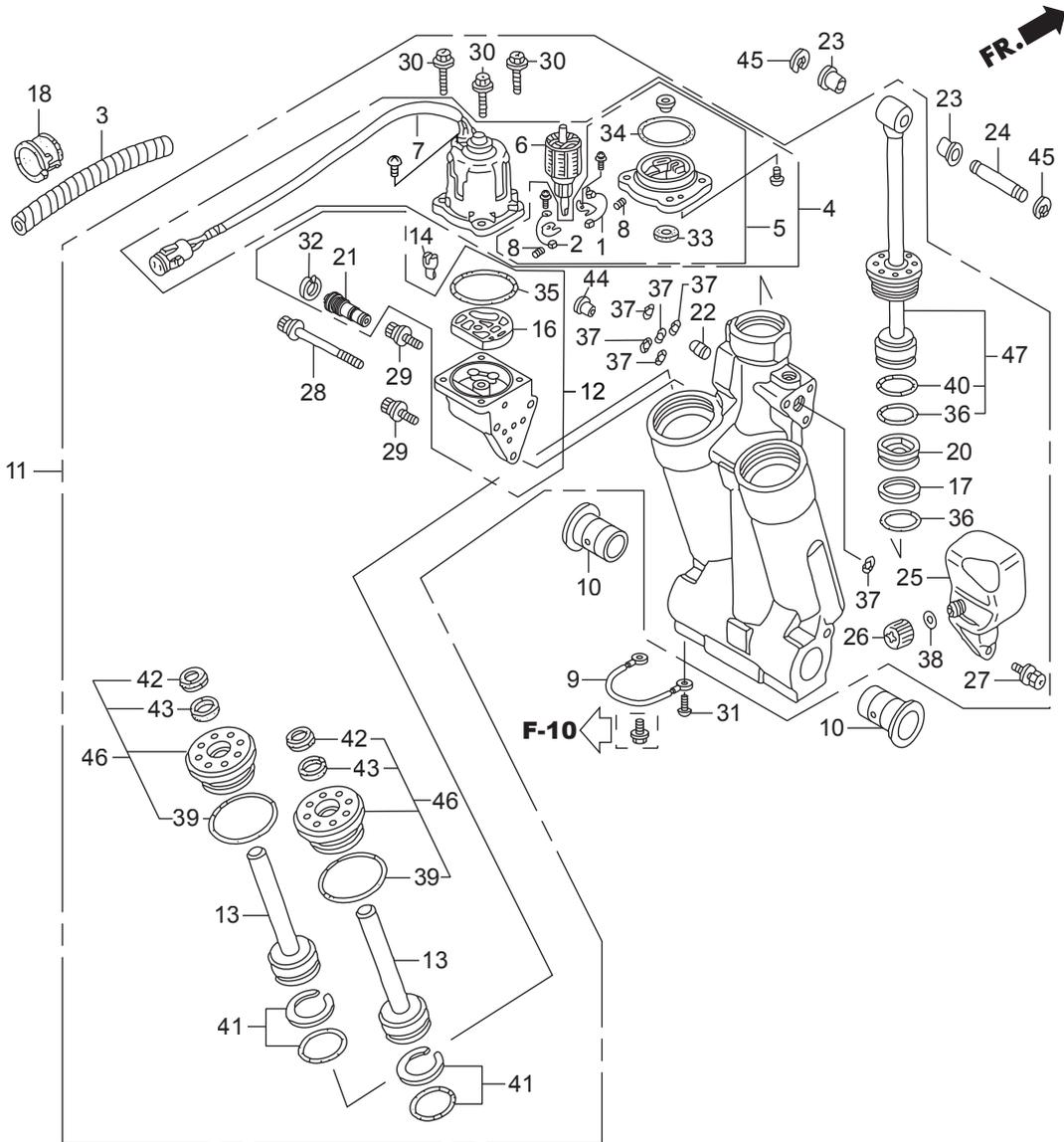




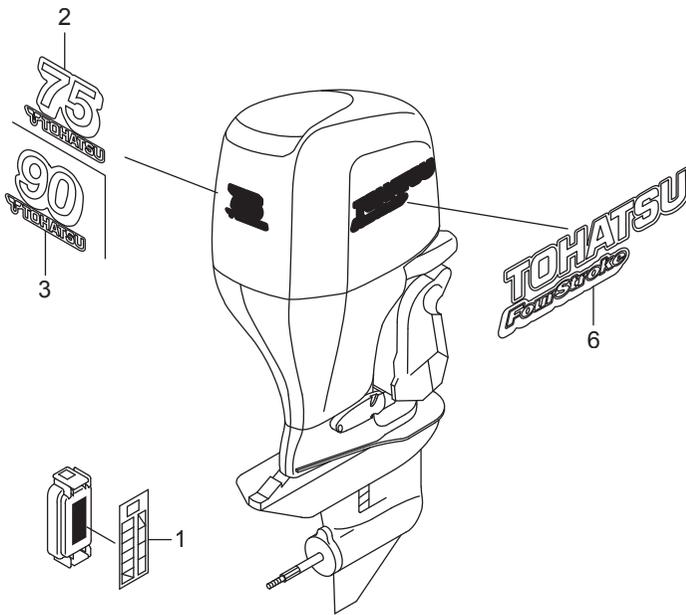
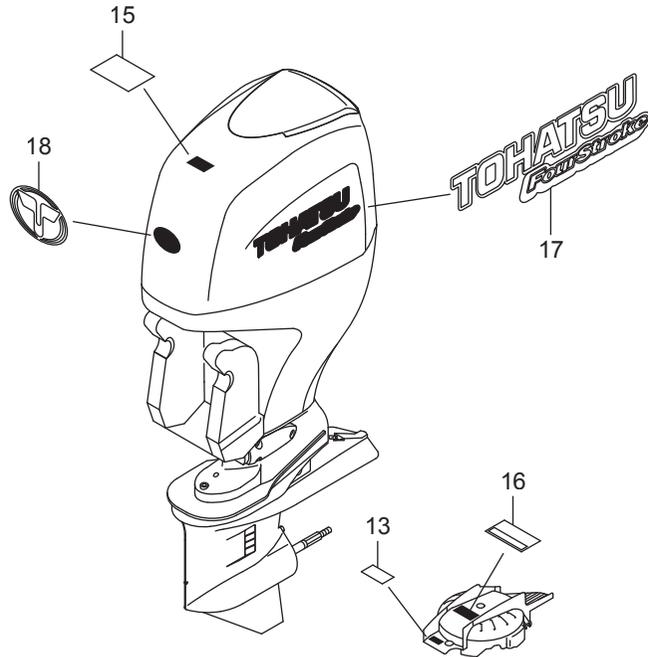




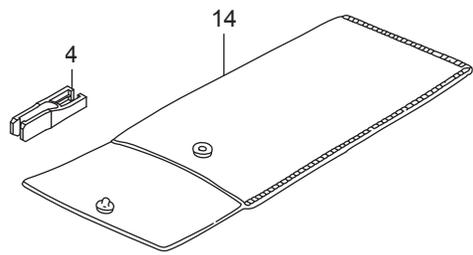
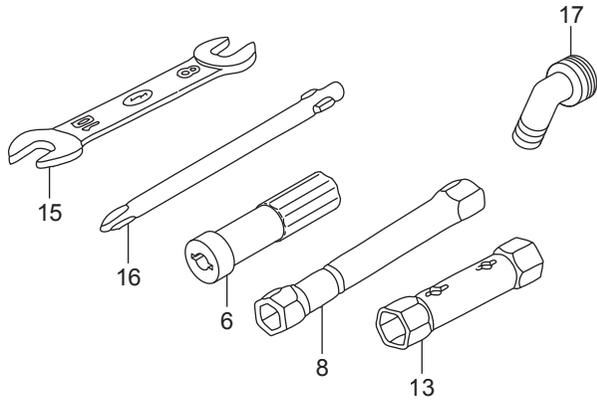
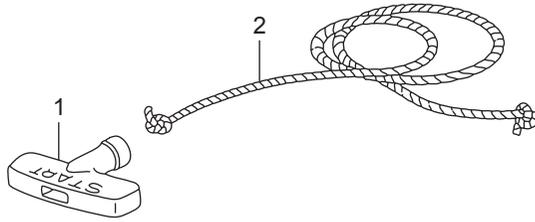
Ref.No.	Part No.	Description	Q' ty		Remarks	
			BET75A	BET90A		
F-11	1	HZY3-30280-003	BREAKER ASSY.	1	1	
F-11	2	HZY3-31106-003	BRUSH ASSY.	1	1	
F-11	3	HZY9-36104-003	TUBE, SPIRAL(12X14.6)	1	1	
F-11	4	HZY9-36120-003	MOTOR ASSY., POWER TILT	1	1	
F-11	5	HZW1-36122-013	BRACKET ASSY.	1	1	
F-11	6	HZW1-36123-013	ARMATURE COMP.	1	1	
F-11	7	HZY9-36129-003	YOKE ASSY.	1	1	
F-11	8	HZV5-36136-821	SPRING, MOTOR	2	2	
F-11	9	HZY3-40219-013	WIRE, LEAD(1.5X116MM)	1	1	
F-11	10	HZV5-50214-003	BUSH, SWIVEL CASE	2	2	
F-11	11	HZY9-56000-013	TRIM-TILT ASSY., POWER	1	1	
F-11	12	HZY9-56100-013	PUMP ASSY.	1	1	
F-11	13	HZW1-56110-701	ROD COMP., PISTON(B)	2	2	
F-11	14	HZW1-56113-701	JOINT, DRIVE	1	1	
F-11						
F-11	16	HZW1-56116-701	FILTER B	1	1	
F-11	17	HZV5-56117-821	RING, BACK UP	1	1	
F-11	18	HZV5-56118-820	BUSH, MOTOR CODE	1	1	
F-11						
F-11	20	HZW1-56130-702	PISTON COMP., FREE	1	1	
F-11	21	HZY9-56170-003	VALVE COMP., MANUAL	1	1	
F-11	22	HZW1-56180-701	VALVE COMP., RESERVOIR	1	1	
F-11	23	HZV5-56513-000	BUSH, LOWER CYLINDER	2	2	
F-11	24	HZW1-56532-000	PIN, UPPER CYLINDER	1	1	
F-11	25	HZW1-56851-703	TANK, OIL	1	1	
F-11	26	HZW1-56860-701	CAP COMP., OIL TANK	1	1	
F-11	27	HZW1-90113-702	BOLT, RECESSED	3	3	
F-11	28	HZW1-90114-702	BOLT, SOCKET(A)	1	1	
F-11	29	HZW1-90115-702	BOLT, SOCKET(B)	2	2	









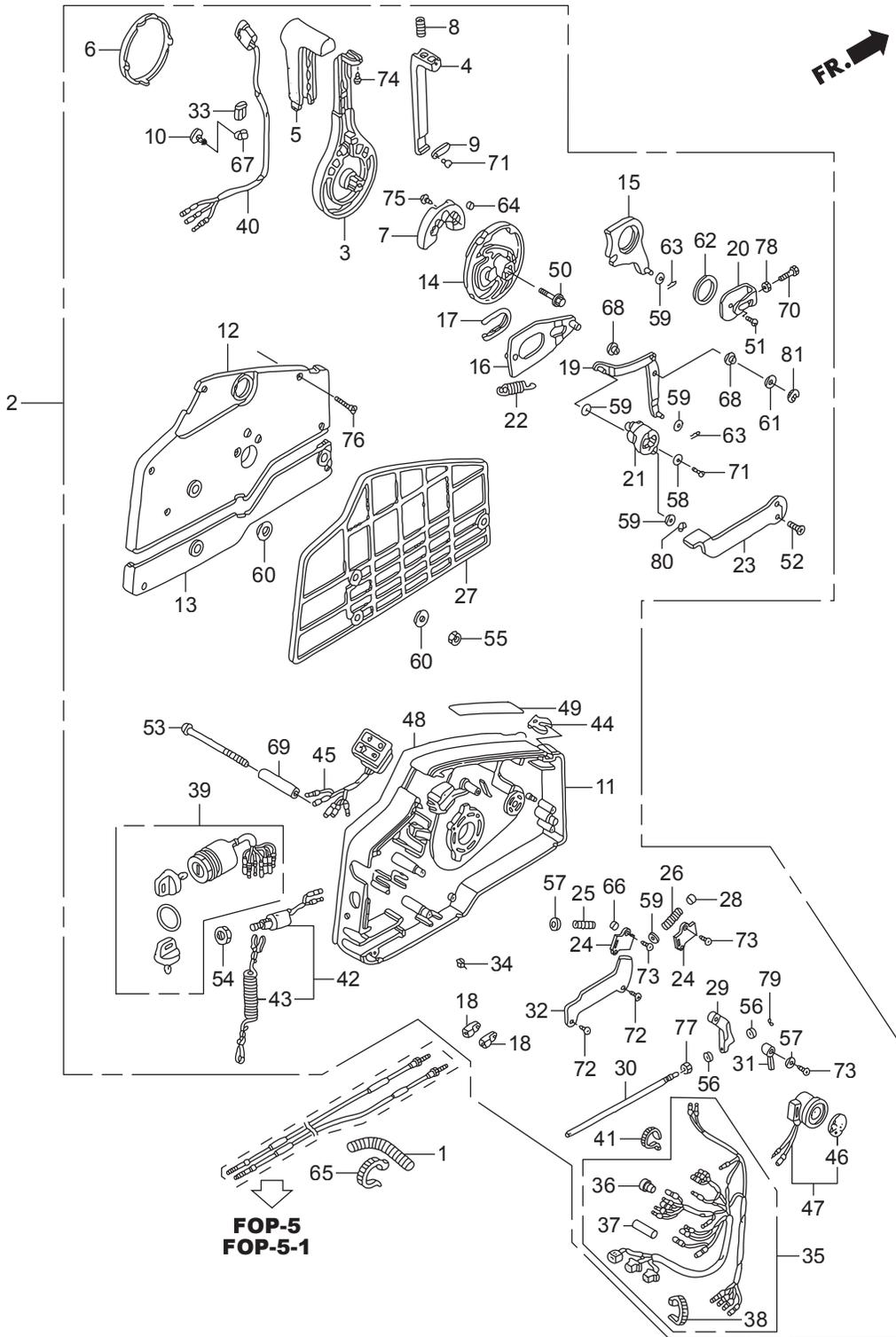




F-15

REMOTE CONTROL  
(HI-LEX) (HANDLE CAP = GRAY)

FR. →



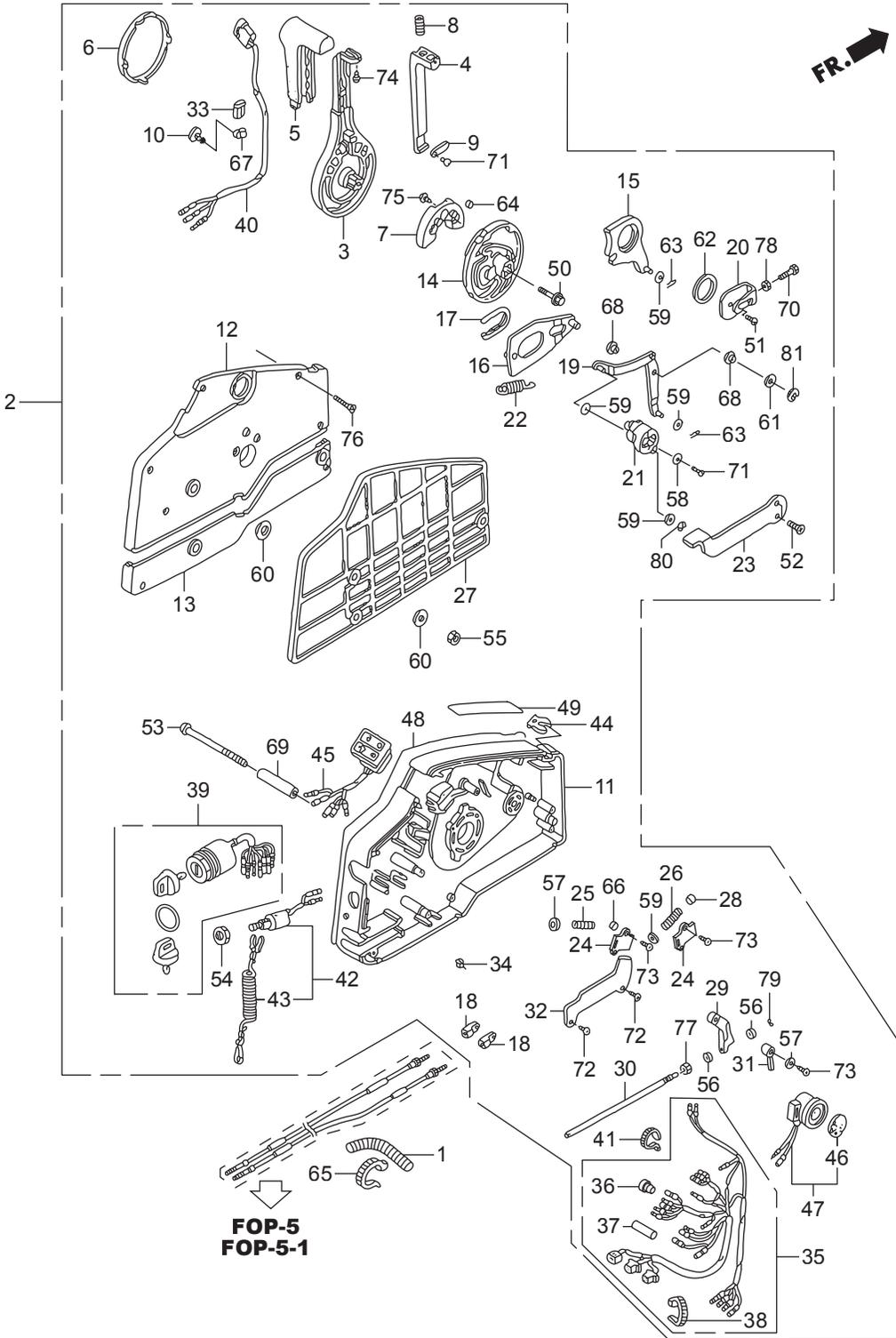


Ref.No.	Part No.	Description	Q' ty		Remarks	
			BET75A	BET90A		
F-15	1	HZW1-17736-000	TUBE, CORRUGATE(28MM)	1	1	
F-15	2	HZZ3-24800-R00	BOX ASSY., REMOTE CONTROL(EU)	1	1	
F-15	3	HZV5-24811-010	HANDLE, REMOTE CONTROL	1	1	
F-15	4	HZV5-24812-000	LEVER, HANDLE LOCK	1	1	
F-15	5	HZV5-24813-000	GRIP, REMOTE CONTROL HANDLE	1	1	
F-15	6	HZV5-24814-010	CAP, HANDLE	1	1	
F-15	7	HZV5-24815-010	BLOCK, NEUTRAL LOCK	1	1	
F-15	8	HZV5-24816-000	SPRING, REMOTE CONTROL HANDLE	1	1	
F-15	9	HZV5-24817-000	PLATE, LEVER SETTING	1	1	
F-15	10	HZV5-24818-003	CLAMP, HARNESS	1	1	
F-15	11	HZV5-24820-010	HOUSING COMP., REMOTE CONTROL	1	1	BOX(A)
F-15	12	HZV5-24830-010	HOUSING COMP., REMOTE CONTROL	1	1	BOX(B)
F-15	13	HZV5-24836-000	HOUSING, REMOTE CONTROL BOX(C)	1	1	
F-15	14	HZV5-24841-000	WHEEL, CONTROL	1	1	
F-15	15	HZV5-24845-000	ARM COMP., SHIFT LINK	1	1	
F-15	16	HZV5-24850-000	PLATE COMP., SLIDING	1	1	
F-15	17	HZV5-24854-000	COLLAR, SLIDING PLATE	1	1	
F-15	18	HZV5-24855-000	PIVOT, SHIFT	2	2	
F-15	19	HZV5-24860-000	ARM COMP., LINK JOINT	1	1	
F-15	20	HZV5-24865-000	BRACKET, LINK JOINT	1	1	
F-15	21	HZV5-24875-000	WHEEL, ACCELERATOR	1	1	
F-15	22	HZV5-24876-000	SPRING, ACCELERATOR WHEEL	1	1	
F-15	23	HZV5-24878-000	LEVER, IDLE	1	1	
F-15	24	HZV5-24881-000	PLATE, SPRING SETTING	2	2	
F-15	25	HZV5-24883-000	SPRING, SHIFT CLICK	1	1	
F-15	26	HZV5-24884-000	SPRING, CHOKE RETURN	1	1	
F-15	27	HZV5-24885-000	SPACER, REMOTE CONTROL BOX	1	1	
F-15	28	HZV5-24887-000	SPACER, CLICK SPRING	1	1	
F-15	29	HZV5-24891-000	BLOCK, THROTTLE FRICTION	1	1	

F-15

REMOTE CONTROL  
(HI-LEX) (HANDLE CAP = GRAY)

FR. →

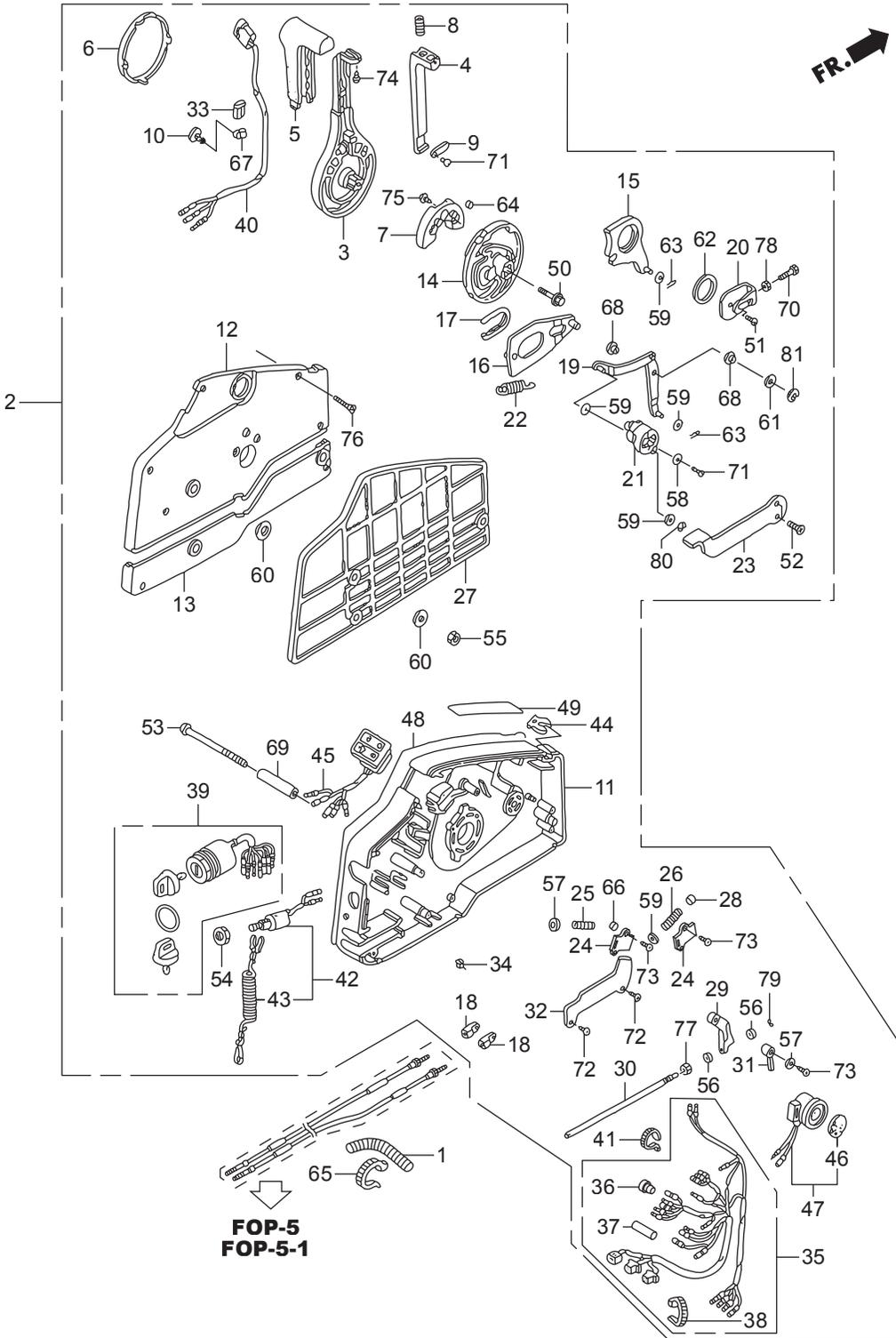


Ref.No.	Part No.	Description	Q' ty		Remarks	
			BET75A	BET90A		
F-15	30	HZV5-24892-000	BOLT, FRICTION	1	1	
F-15	31	HZV5-24894-000	SPACER, NEUTRAL SWITCH	1	1	
F-15	32	HZV5-24895-000	CLAMP, POWER TILT CORD	1	1	
F-15	33	HZV5-24897-000	PIPE, HARNESS GUIDE	1	1	
F-15	34	HZV5-24898-000	SPACER, CABLE CLAMP	1	1	
F-15	35	HZZ5-32530-000	CABLE ASSY., REMOTE CONTROL(B)	1	1	
F-15	36	HZV5-32823-003	PLUG, INNER CONNECTOR	7	7	
F-15	37	HZV5-32824-003	PLUG, OUTER CONNECTOR	1	1	
F-15	38	H952-32901-770	TIE, CABLE(NATURAL)(2.4X92)	1	1	
F-15	39	HZZ3-35100-R11	SWITCH ASSY., COMBINATION	1	1	
F-15	40	HZV5-35370-823	SWITCH ASSY., POWER TRIM-TILT	1	1	
F-15	41	HMG9-35701-950	BAND(BLACK 3.5X140)	1	1	
F-15	42	HZV5-36180-033	SWITCH ASSY., EMERGENCY STOP	1	1	
F-15	43	HZV4-36182-651	CORD COMP., EMERGENCY	1	1	
F-15	44	HZV4-36187-652	CLIP, EMERGENCY LOCK	2	2	
F-15	45	HZZ5-37210-013	LAMP ASSY., INDICATION	1	1	
F-15	46	H341-38403-672	PLATE, WINKER BUZZER	1	1	
F-15	47	HZV5-38410-003	BUZZER COMP., WARNING	1	1	
F-15	48	HZZ3-87701-R00	PLATE, REMOTE CONTROL	1	1	
F-15	49	HZW9-87702-800	MARK, FAST IDLE	1	1	
F-15	50	HZW9-90008-000	BOLT, FLANGE, 8X35	1	1	
F-15	51	HMM4-90105-000	SCREW, PAN, 6X10	1	1	
F-15	52	HZW4-90108-000	SCREW, FLAT, 5X12	2	2	
F-15	53	HZV5-90125-000	SCREW, 6X95	3	3	
F-15	54	H921-90302-000	NUT, HEX., 16MM	1	1	
F-15	55	HZV4-90304-000	NUT, HEX., 6MM	3	3	
F-15	56	HZW4-90401-000	WASHER, PLAIN, 4MM	2	2	
F-15	57	HZW4-90402-000	WASHER, PLAIN, 5MM	2	2	
F-15	58	HZV4-90502-000	WASHER, PLAIN, 5MM	1	1	

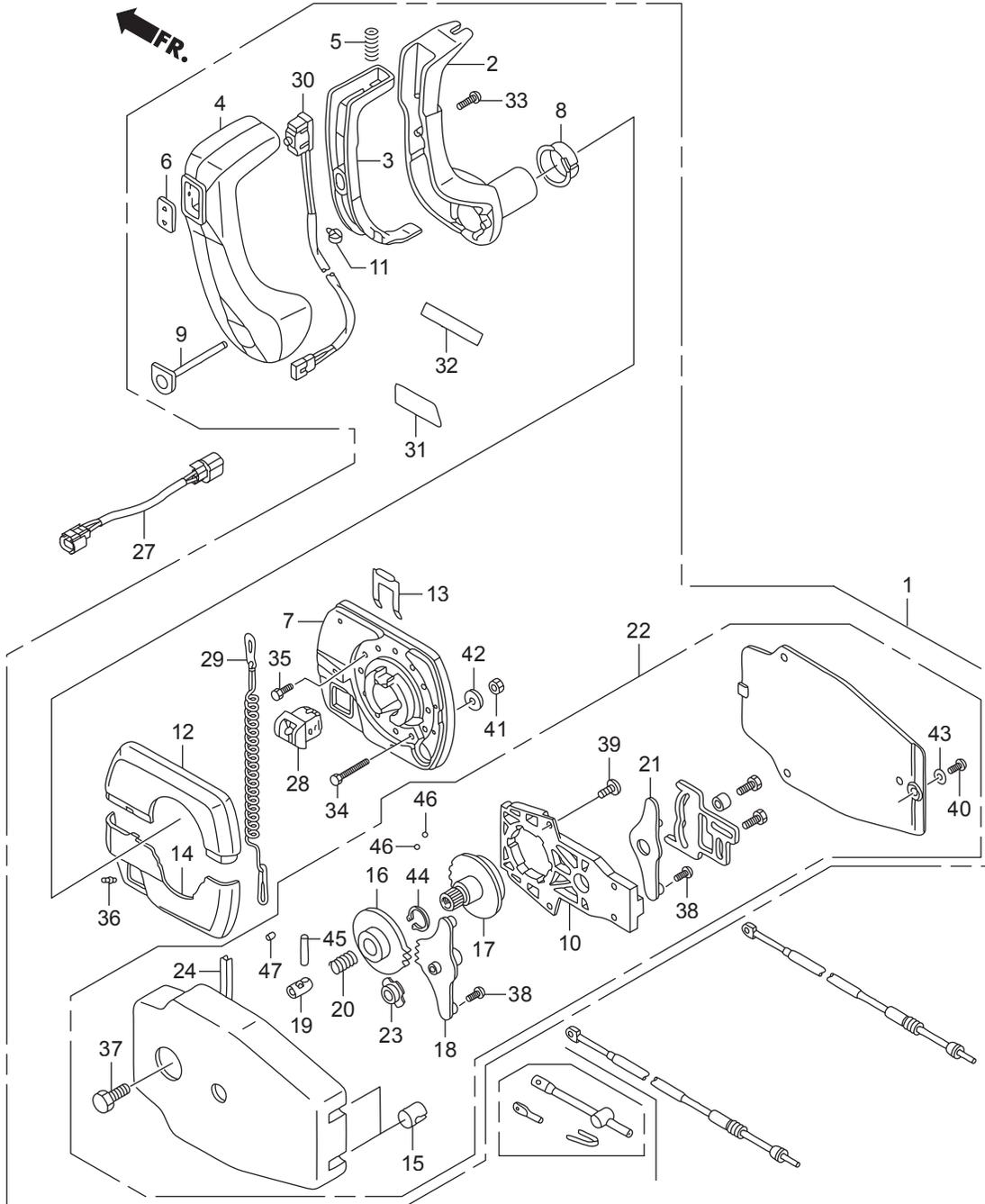
F-15

REMOTE CONTROL  
(HI-LEX) (HANDLE CAP = GRAY)

FR. →



Ref.No.	Part No.	Description	Q' ty		Remarks	
			BTT75A	BET90A		
F-15	59	H921-90504-010	WASHER, PLAIN, 6MM	5	5	
F-15	60	H921-90512-010	WASHER, 6MM	6	6	
F-15	61	H921-90518-000	WASHER, PLAIN, 8MM	1	1	
F-15	62	HZV5-90557-000	WASHER, 28MM	1	1	
F-15	63	HZV5-90751-000	PIN, LOCK, 6MM	2	2	
F-15	64	HZV5-90772-000	PIN, 6X6	1	1	
F-15	65	HMG9-91058-681	BAND, SELF LOCK	2	2	
F-15	66	HZV5-91151-000	ROLLER, CLICK	1	1	
F-15	67	HSB6-91475-000	CLIP, WIRE HARNESS(6.3MM)	1	1	
F-15	68	HZV5-91567-000	COLLAR, LINK JOINT	2	2	
F-15	69	HZV5-91570-000	COLLAR, DISTANCE, 6X10X43.5	3	3	
F-15	70	HCO-92101-05016-4J	BOLT, HEX., 5X16	1	1	
F-15	71	HCO-93500-05010-4J	SCREW, PAN, 5X10	2	2	
F-15	72	HCO-93901-250J0	SCREW, TAPPING, 5X8	2	2	
F-15	73	HCO-93901-251J0	SCREW, TAPPING, 5X10	3	3	
F-15	74	HCO-93901-252J0	SCREW, TAPPING, 5X12	1	1	
F-15	75	HCO-93903-262J0	SCREW, TAPPING, 6X16	2	2	
F-15	76	HCO-93905-255J0	SCREW, TAPPING, 5X25	7	7	
F-15	77	HCO-94001-06490-0S	NUT, HEX., 6MM	1	1	
F-15	78	HCO-94002-05490-0S	NUT, HEX., 5MM	1	1	
F-15	79	HCO-94540-03029	E-RING, 3MM	1	1	
F-15	80	HCO-94540-04029	E-RING, 4MM	1	1	
F-15	81	HCO-94540-07029	E-RING, 7MM	1	1	



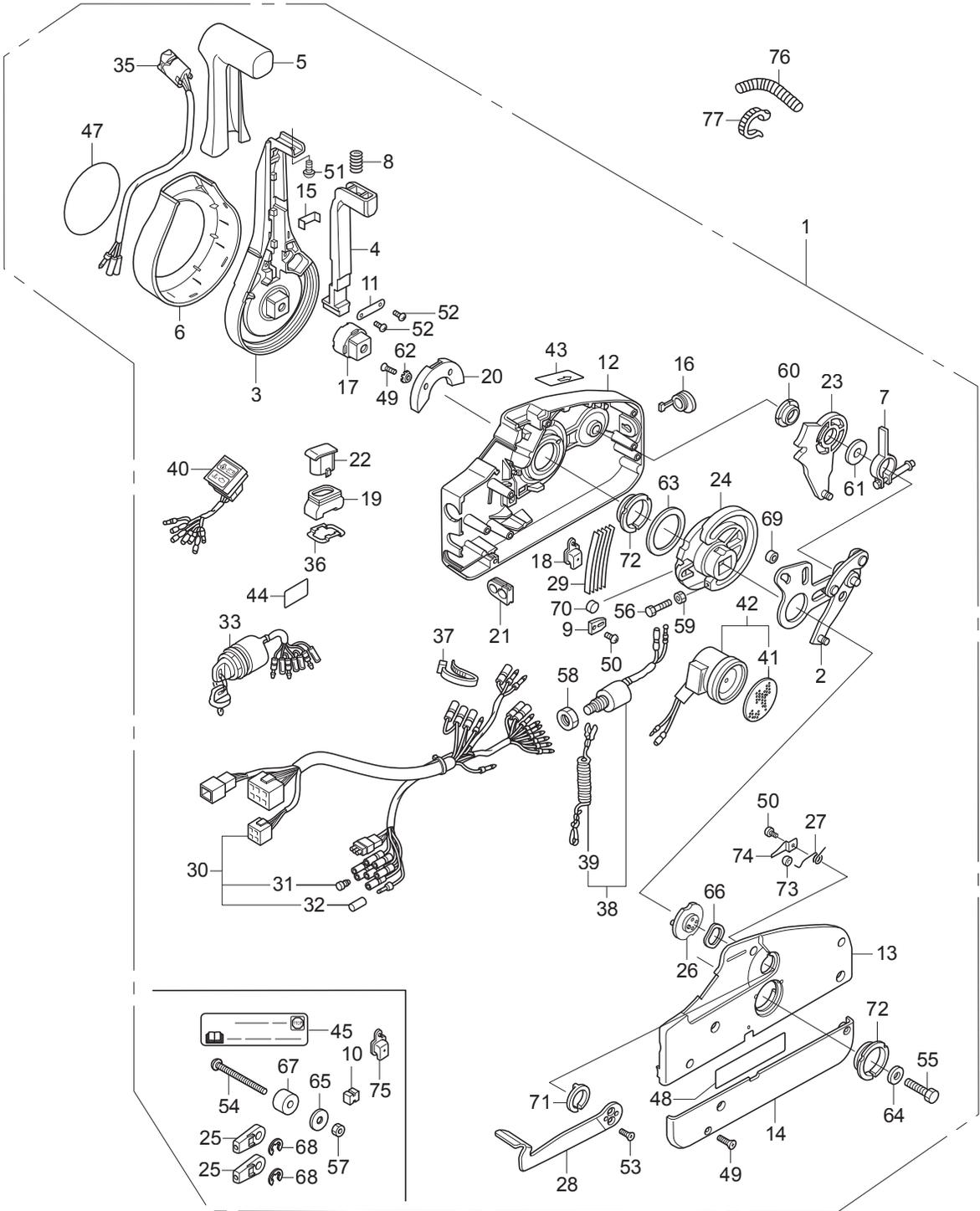
Ref.No.	Part No.	Description	Q' ty		Remarks	
			BET75A	BET90A		
F-15-1	1	HZW1-24800-V21	BOX ASSY., REMOTE CONTROL	1	1	(PANEL MOUNT)
F-15-1	2	HZW1-24811-V21	HANDLE, REMOTE CONTROL	1	1	
F-15-1	3	HZW1-24812-V21	LEVER, HANDLE LOCK	1	1	
F-15-1	4	HZW1-24813-V21	GRIP, REMOTE CONTROL HANDLE	1	1	
F-15-1	5	HZW1-24816-V21	SPRING, REMOTE CONTROL HANDLE	1	1	
F-15-1	6	HZW1-24819-V21	COVER, GRIP	1	1	
F-15-1	7	HZW1-24820-V21	HOUSING ASSY., REMOTE CONTROL	1	1	BOX(A)
F-15-1	8	HZW1-24821-003	BUSHING	1	1	
F-15-1	9	HZW1-24822-V21	BUTTON, THROTTLE	1	1	
F-15-1	10	HZW1-24825-V01	FRAME ASSY., REMOTE CONTROL	1	1	BOX
F-15-1	11	HZW1-24829-003	BAND, CABLE(B)	1	1	
F-15-1	12	HZW1-24830-V21	HOUSING, REMOTE CONTROL BOX(B)	1	1	
F-15-1	13	HZW1-24834-003	RETAINER	1	1	
F-15-1	14	HZW1-24836-V21	HOUSING, REMOTE CONTROL BOX(C)	1	1	
F-15-1	15	HZW1-24839-V01	GROMMET	2	2	
F-15-1	16	HZW1-24841-V01	WHEEL, CONTROL	1	1	
F-15-1	17	HZW1-24843-V01	SHAFT, HANDLE	1	1	
F-15-1	18	HZW1-24845-V01	ARM ASSY., SHIFT LINK	1	1	
F-15-1	19	HZW1-24847-V01	SHAFT, GEAR SHIFT	1	1	
F-15-1	20	HZW1-24848-V01	SPRING, GEAR SHIFT	1	1	
F-15-1	21	HZW1-24865-V01	ARM ASSY., THROTTLE LINK	1	1	
F-15-1	22	HZW1-24870-V21	HOUSING ASSY., INNER	1	1	(PANEL MOUNT)
F-15-1	23	HZW1-24873-V01	BUSH	1	1	
F-15-1	24	HZW1-24883-V01	SPRING, SHIFT CLICK	5	5	
F-15-1	27	HZW5-32167-650	HARNESS ASSY., POWER TRIM-TILT	1	1	
F-15-1	28	HZW1-35180-003	SWITCH ASSY., EMERGENCY STOP	1	1	
F-15-1	29	HZW1-35182-003	CORD COMP., EMERGENCY	1	1	
F-15-1	30	HZW1-35370-V01	SWITCH ASSY., POWER TRIM-TILT	1	1	(A)
F-15-1	31	HZW1-87705-003	MARK, REMOTE CONTROL(A)(PANEL)	1	1	





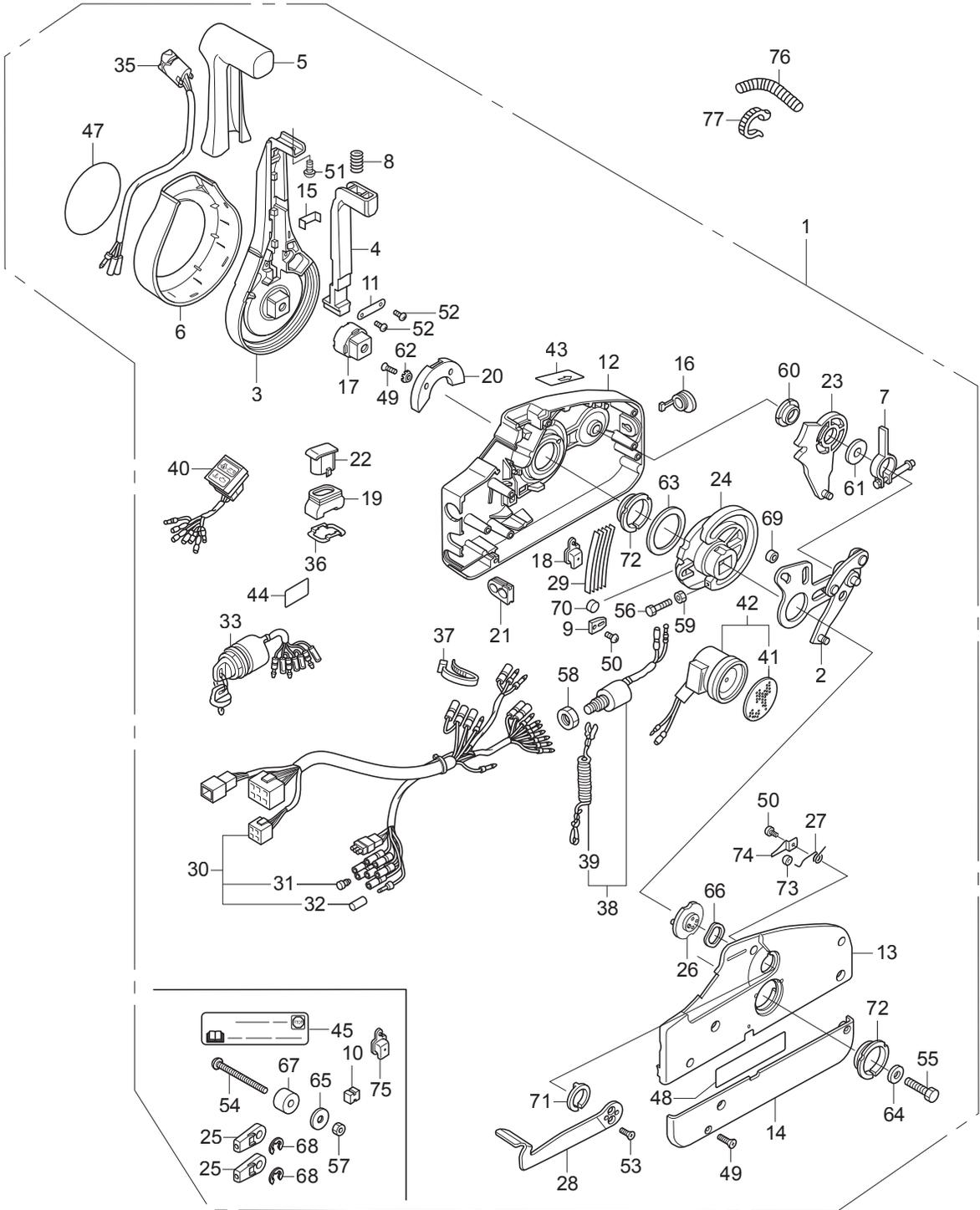


REMOTE CONTROL  
(NHK MEC) (HANDLE CAP = CHROME)



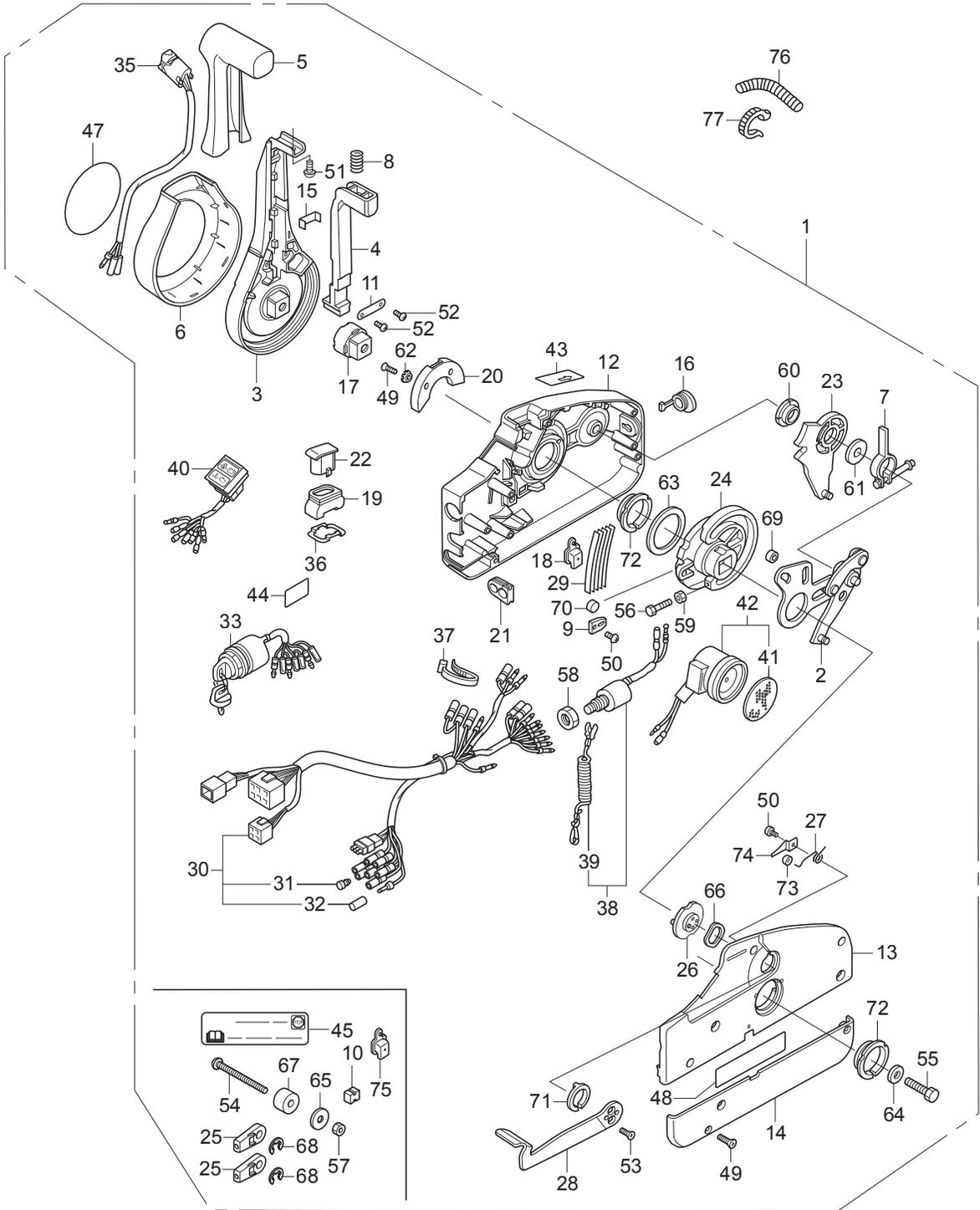
Ref.No.	Part No.	Description	Q' ty		Remarks	
			BET75A	BET90A		
F-15-2	1	HZZ3-24800-P12	BOX ASSY., REMOTE CONTROL (NHK MEC)	1	1	
F-15-2	2	HZZ5-24810-D01	PLATE ASSY.	1	1	
F-15-2	3	HZZ5-24811-D01	LEVER, HAND	1	1	
F-15-2	4	HZZ5-24812-D01	ARM, NEUTRAL LOCK	1	1	
F-15-2	5	HZZ5-24813-D01	GRIP	1	1	
F-15-2	6	HZZ5-24814-D01	COVER, LEVER	1	1	
F-15-2	7	HZZ5-24815-D01	ARM ASSY., BRAKE	1	1	
F-15-2	8	HZZ5-24816-D01	SPRING(2)	1	1	
F-15-2	9	HZZ5-24817-D01	CLIP, DETENT	1	1	
F-15-2	10	HZZ5-24818-D01	SPACER(1)(LOOSE PARTS)	1	1	
F-15-2	11	HZZ5-24819-D01	BRACKET	1	1	
F-15-2	12	HZZ5-24821-D01	HOUSING, FR.	1	1	
F-15-2	13	HZZ5-24822-D01	HOUSING, RR.	1	1	
F-15-2	14	HZZ5-24823-D01	PANEL, BACK	1	1	
F-15-2	15	HZZ5-24824-D01	BRACKET, WIRE CLAMP	1	1	
F-15-2	16	HZZ5-24826-D01	CAP, RUBBER	1	1	
F-15-2	17	HZZ5-24827-D01	ADJUSTER	1	1	
F-15-2	18	HZZ5-24828-D01	COVER, POWER TRIM-TILT WIRE	1	1	
F-15-2	19	HZZ5-24829-D01	SEAL, RUBBER	1	1	
F-15-2	20	HZZ5-24831-D01	HOLDER, NEUTRAL LOCK	1	1	
F-15-2	21	HZZ5-24832-D01	GROMMET, WIRE(14)	1	1	
F-15-2	22	HZZ5-24833-D01	CAP, TROLLING CONTROL SWITCH BLANK	1	1	
F-15-2	23	HZZ5-24845-D01	GEAR ASSY., SHIFT	1	1	
F-15-2	24	HZZ5-24850-D01	GEAR, DRIVE	1	1	
F-15-2	25	HZZ5-24855-D01	TERMINAL, CABLE(LOOSE PARTS)	2	2	
F-15-2	26	HZZ5-24875-D01	DRUM ASSY., FREE THROTTLE	1	1	
F-15-2	27	HZZ5-24876-D01	SPRING(1)	1	1	
F-15-2	28	HZZ5-24878-D01	LEVER, FREE THROTTLE	1	1	
F-15-2	29	HZZ5-24883-D01	SPRING, DETENT	5	5	

REMOTE CONTROL  
(NHK MEC) (HANDLE CAP = CHROME)

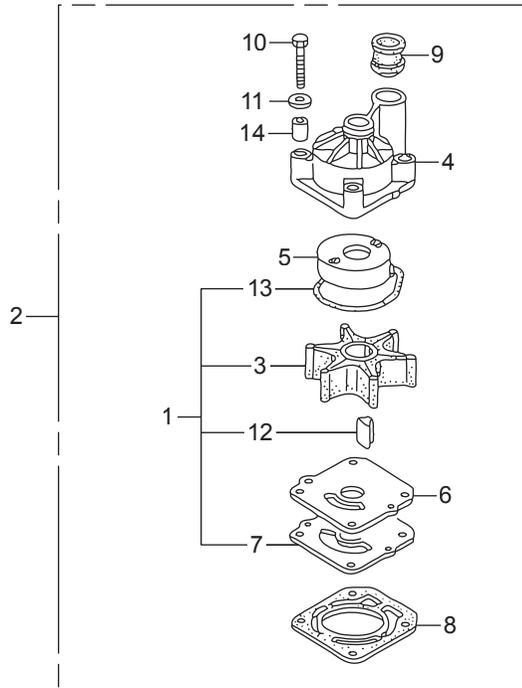


Ref.No.	Part No.	Description	Q' ty		Remarks	
			BET75A	BET90A		
F-15-2	30	HZZ5-32530-D01	CABLE ASSY., REMOTE CONTROL(B)	1	1	
F-15-2	31	HZV5-32823-003	PLUG, INNER CONNECTOR	7	7	
F-15-2	32	HZV5-32824-003	PLUG, OUTER CONNECTOR	1	1	
F-15-2	33	HZZ3-35100-R11	SWITCH ASSY., COMBINATION	1	1	
F-15-2	35	HZZ5-35370-D02	SWITCH ASSY., POWER TRIM-TILT	1	1	
F-15-2	36	HZZ3-35645-A41	PLATE, SWITCH	1	1	
F-15-2	37	HZZ5-35701-D01	BAND, WIRE	1	1	
F-15-2	38	HZV5-36180-033	SWITCH ASSY., EMERGENCY STOP	1	1	
F-15-2	39	HZV4-36182-651	CORD COMP., EMERGENCY	1	1	
F-15-2	40	HZZ5-37210-D01	LAMP ASSY., INDICATION	1	1	
F-15-2	41	H341-38403-672	PLATE, WINKER BUZZER	1	1	
F-15-2	42	HZV5-38410-003	BUZZER COMP., WARNING	1	1	
F-15-2	43	HZZ5-87701-D00	MARK, FAST IDLE	1	1	
F-15-2	44	HZZ5-87702-A00	MARK, EMERGENCY STOP(US)	1	1	
F-15-2	45	HZZ5-87702-A00	MARK, EMERGENCY STOP(US)(LOOSE PARTS)	1	1	
F-15-2	47	HZZ5-87703-P00	MARK, EMBLEM	1	1	
F-15-2	48	HZZ5-87704-D01	LABEL, SIGP	1	1	
F-15-2	49	HZZ5-90101-D01	SCREW, 5X18	7	7	
F-15-2	50	HZZ5-90102-D01	SCREW, 4X6	2	2	
F-15-2	51	HZZ5-90103-D01	SCREW, 5X10	1	1	
F-15-2	52	HZZ5-90104-D01	SCREW, 4X10	2	2	
F-15-2	53	HZZ5-90106-D01	SCREW, 5X12	2	2	
F-15-2	54	HZZ5-90107-D01	SCREW, 6X90(LOOSE PARTS)	3	3	
F-15-2	55	HZZ5-90108-D01	BOLT, 8X50	1	1	
F-15-2	56	HZZ5-90109-D01	BOLT, 5X25	1	1	
F-15-2	57	HZZ5-90301-D01	NUT, 6MM(LOOSE PARTS)	3	3	
F-15-2	58	H921-90302-000	NUT, HEX., 16MM	1	1	
F-15-2	59	HZZ5-90302-D01	NUT, 5MM	1	1	
F-15-2	60	HZZ5-90501-D01	BEARING(1)	1	1	

REMOTE CONTROL  
(NHK MEC) (HANDLE CAP = CHROME)

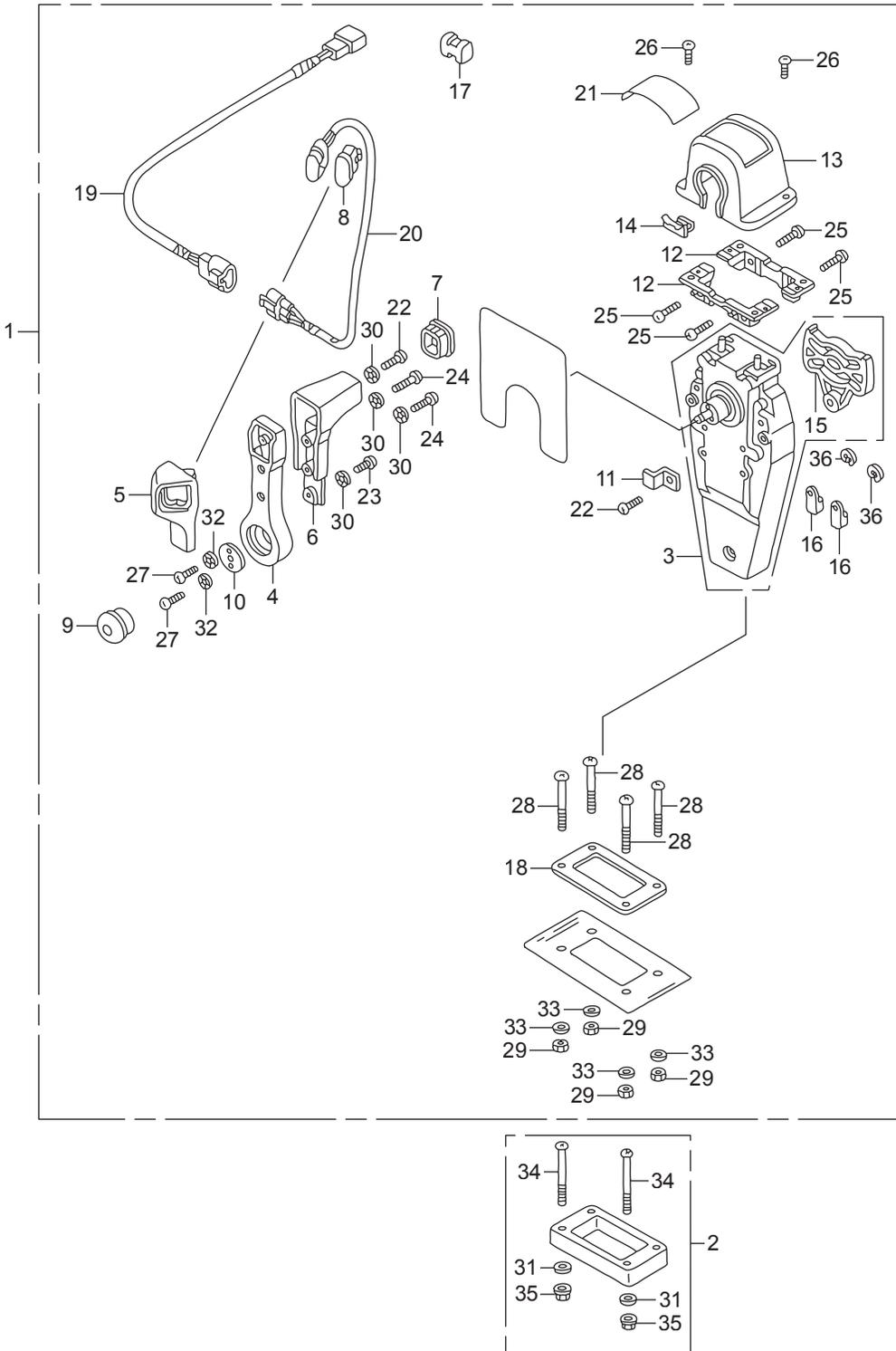




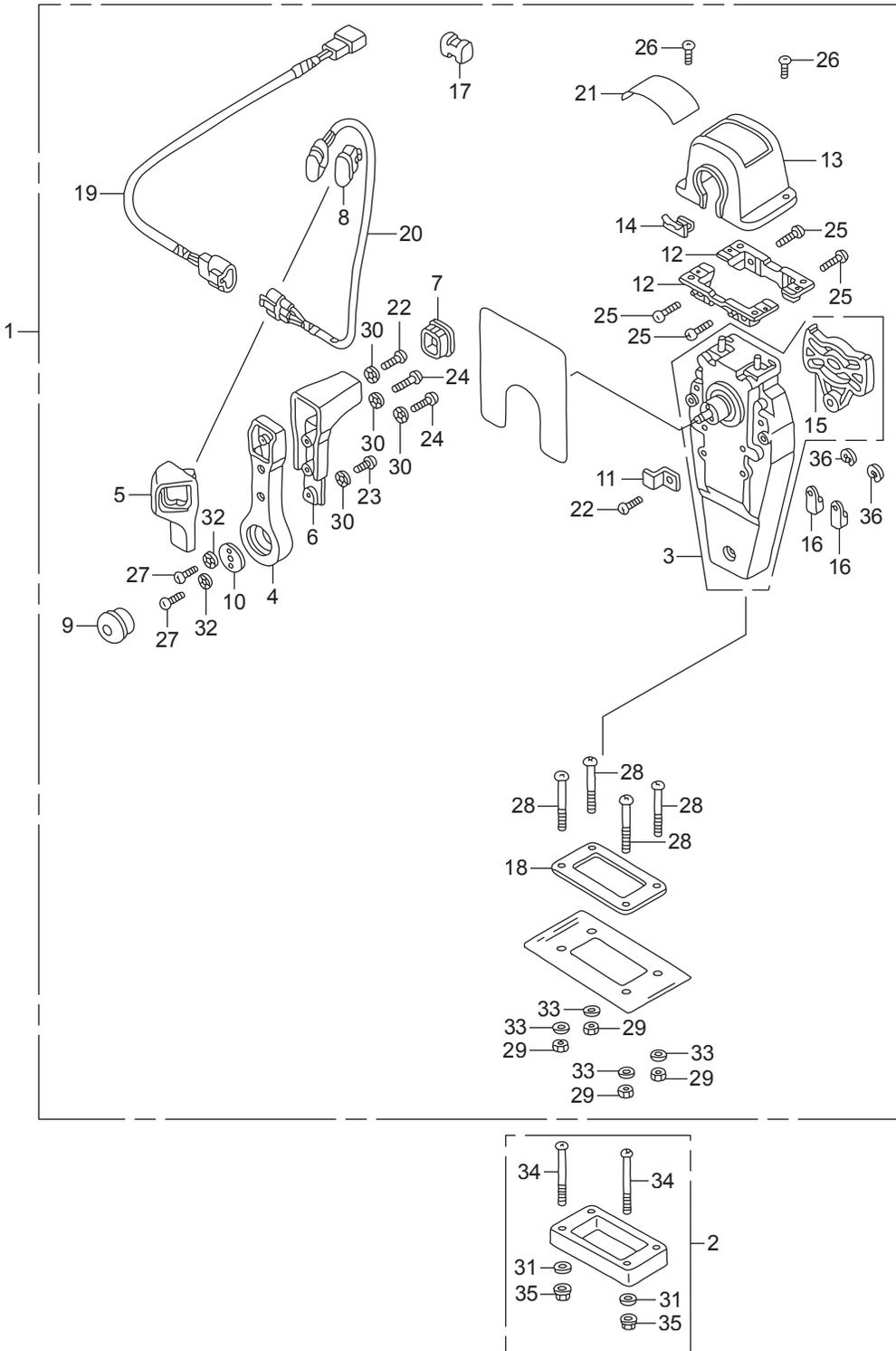








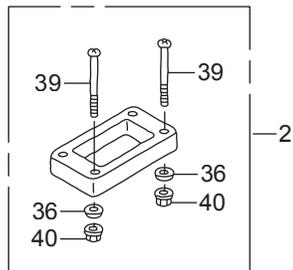
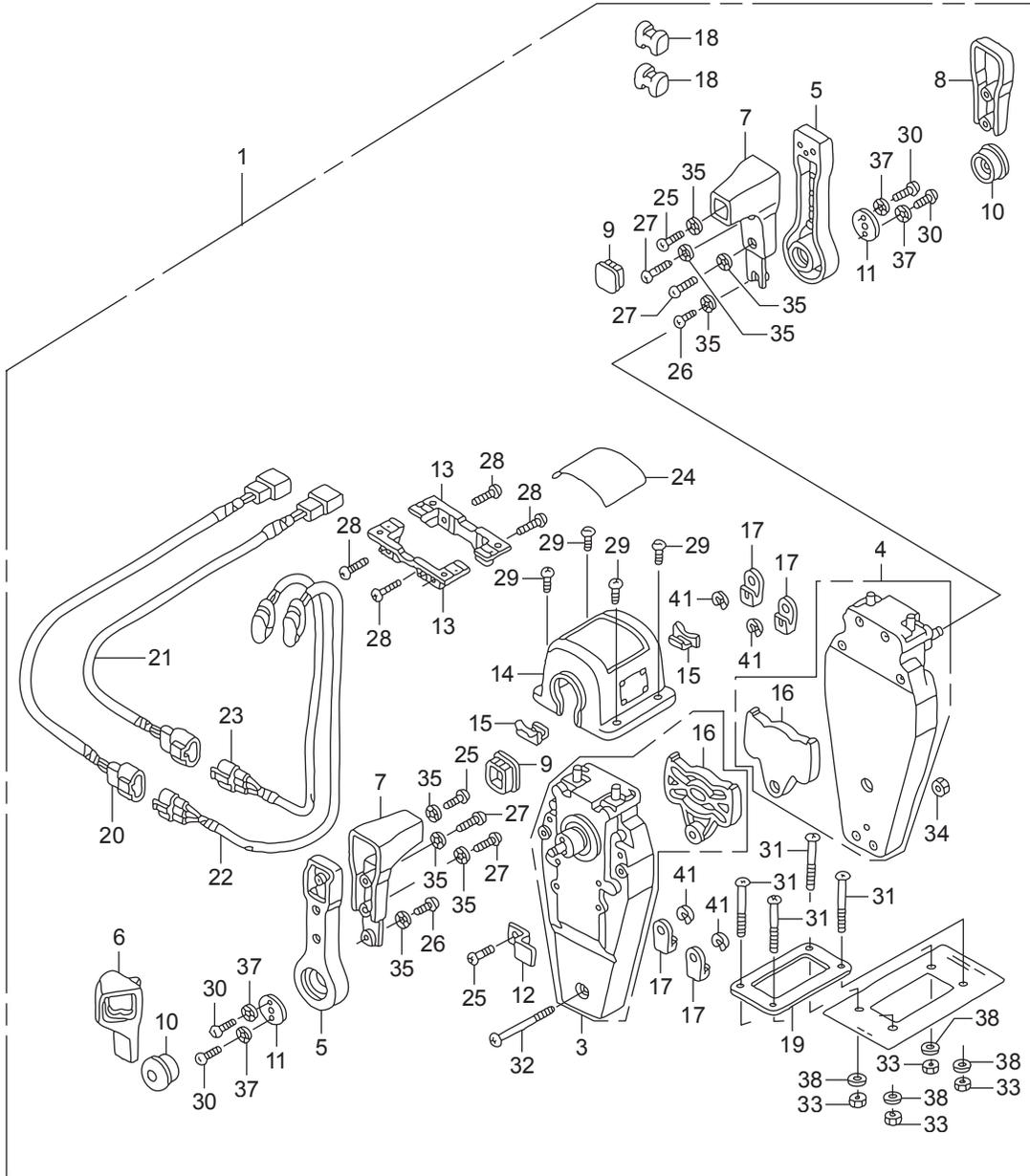
Ref.No.	Part No.	Description	Q' ty		Remarks	
			BET75A	BET90A		
FOP-4	1	HZZ3-06240-R30	BOX KIT, REMOTE CONTROL	1	1	(TOP MOUNT SINGLE)(R)
FOP-4	2	HZW5-06241-U00	SPACER KIT, REMOTE CONTROL BOX	1	1	(TOP MOUNT SINGLE)
FOP-4	3	HZW5-24810-U01	HOUSING ASSY., L. INNER	1	1	(TOP MOUNT)
FOP-4	4	HZW5-24811-U01	HANDLE, REMOTE CONTROL	1	1	
FOP-4	5	HZW5-24812-U01	COVER, L. GRIP	1	1	
FOP-4	6	HZW5-24813-U01	GRIP, REMOTE CONTROL HANDLE	1	1	
FOP-4	7	HZW5-24814-U01	CAP, GRIP	1	1	
FOP-4	8	HZW5-24815-U01	CAP, SWITCH	1	1	
FOP-4	9	HZW5-24816-U01	BUTTON, THROTTLE	1	1	
FOP-4	10	HZW5-24817-U01	PLATE, HANDLE	1	1	
FOP-4	11	HZW5-24818-U01	PLATE, CABLE CLAMP	1	1	
FOP-4	12	HZW5-24819-U01	BRACKET, REMOTE CONTROL	2	2	HOUSING
FOP-4	13	HZZ3-24820-R11	HOUSING COMP., REMOTE CONTROL	1	1	BOX
FOP-4	14	HZW5-24825-U01	HOUSING, LEAD	1	1	
FOP-4	15	HZW5-24826-U01	PLATE, DWELL	1	1	
FOP-4	16	HZW5-24831-U01	TERMINAL, CABLE	2	2	
FOP-4	17	HZW5-24832-U01	SPACER, CABLE CLAMP	1	1	
FOP-4	18	HZW5-24834-U01	PACKING, SINGLE	1	1	
FOP-4	19	HZW7-32530-U00	SUB HARNESS ASSY., POWER	1	1	TRIM-TILT(A)
FOP-4	20	HZW5-35370-U02	SWITCH ASSY., POWER TRIM-TILT	1	1	(A)
FOP-4	21	HZZ3-87703-R81	MARK, REMOTE CONTROL(SINGLE)	1	1	
FOP-4	22	HZW5-90101-U00	SCREW, PAN, 5X16	2	2	
FOP-4	23	HZW5-90102-U00	SCREW, PAN, 5X10	1	1	
FOP-4	24	HZW5-90103-U01	SCREW, PAN, 5X20	2	2	
FOP-4	25	HZW5-90104-U00	SCREW, PAN, 5X18	4	4	
FOP-4	26	HZW5-90105-U01	SCREW, PAN, 4X10	2	2	
FOP-4	27	HZW5-90106-U00	SCREW, PAN, 6X18	2	2	
FOP-4	28	HZW5-90107-U00	SCREW, PAN, 5X40	4	4	
FOP-4	29	HZW5-90301-U00	NUT, HEX., 5MM	4	4	





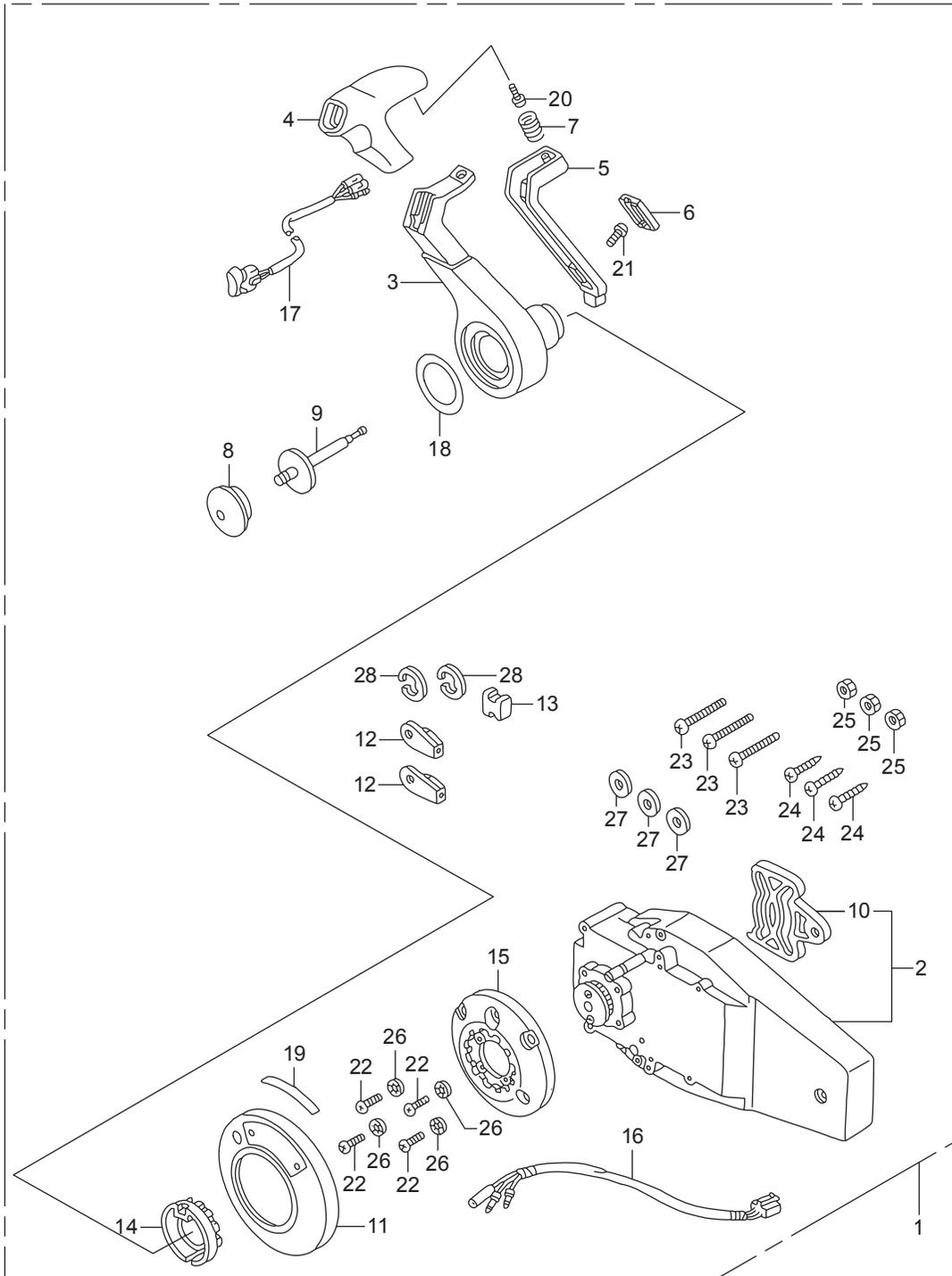


Ref.No.	Part No.	Description	Q' ty		Remarks	
			BET75A	BET90A		
FOP-4-2	1	HZZ3-06240-R60	BOX KIT, REMOTE CONTROL	1	1	(TOP MOUNT DUAL)(R.)
FOP-4-2	2	HZW5-06241-U10	SPACER KIT, REMOTE CONTROL BOX	1	1	(TOP MOUNT DUAL)
FOP-4-2	3	HZW5-24810-U01	HOUSING ASSY., L. INNER	1	1	(TOP MOUNT)
FOP-4-2	4	HZW5-24810-U11	HOUSING ASSY., R. INNER	1	1	(TOP MOUNT)
FOP-4-2	5	HZW5-24811-U01	HANDLE, REMOTE CONTROL	2	2	
FOP-4-2	6	HZW5-24812-U01	COVER, L. GRIP	1	1	
FOP-4-2	7	HZW5-24813-U01	GRIP, REMOTE CONTROL HANDLE	2	2	
FOP-4-2	8	HZW5-24813-U21	COVER, DUAL GRIP	1	1	
FOP-4-2	9	HZW5-24814-U01	CAP, GRIP	2	2	
FOP-4-2	10	HZW5-24816-U01	BUTTON, THROTTLE	2	2	
FOP-4-2	11	HZW5-24817-U01	PLATE, HANDLE	2	2	
FOP-4-2	12	HZW5-24818-U01	PLATE, CABLE CLAMP	1	1	
FOP-4-2	13	HZW5-24819-U01	BRACKET, REMOTE CONTROL	2	2	HOUSING
FOP-4-2	14	HZZ3-24820-R21	HOUSING COMP., REMOTE CONTROL	1	1	BOX(DUAL)
FOP-4-2	15	HZW5-24825-U01	HOUSING, LEAD	2	2	
FOP-4-2	16	HZW5-24826-U01	PLATE, DWELL	2	2	
FOP-4-2	17	HZW5-24831-U01	TERMINAL, CABLE	4	4	
FOP-4-2	18	HZW5-24832-U01	SPACER, CABLE CLAMP	2	2	
FOP-4-2	19	HZW5-24834-U21	PACKING, DUAL	1	1	
FOP-4-2	20	HZW7-32530-U00	SUB HARNESS ASSY., POWER	1	1	TRIM-TILT(A)
FOP-4-2	21	HZW7-32530-U10	SUB HARNESS ASSY., POWER	1	1	TRIM-TILT(B)
FOP-4-2	22	HZW5-35370-U02	SWITCH ASSY., POWER TRIM-TILT	1	1	(A)
FOP-4-2	23	HZW5-35370-U12	SWITCH ASSY., POWER TRIM-TILT	1	1	(B)
FOP-4-2	24	HZZ3-87703-R01	MARK, REMOTE CONTROL(DUAL)	1	1	
FOP-4-2	25	HZW5-90101-U00	SCREW, PAN, 5X16	3	3	
FOP-4-2	26	HZW5-90102-U00	SCREW, PAN, 5X10	2	2	
FOP-4-2	27	HZW5-90103-U01	SCREW, PAN, 5X20	4	4	
FOP-4-2	28	HZW5-90104-U00	SCREW, PAN, 5X18	4	4	
FOP-4-2	29	HZW5-90105-U01	SCREW, PAN, 4X10	4	4	

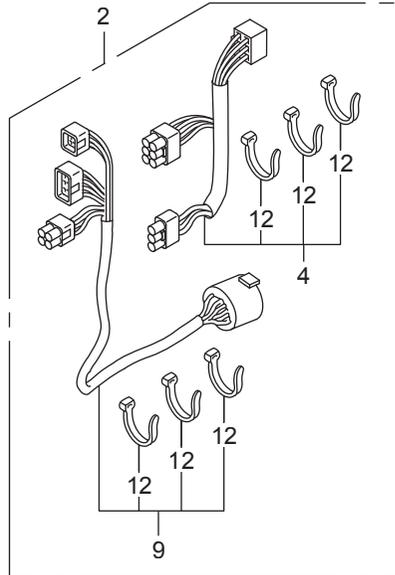
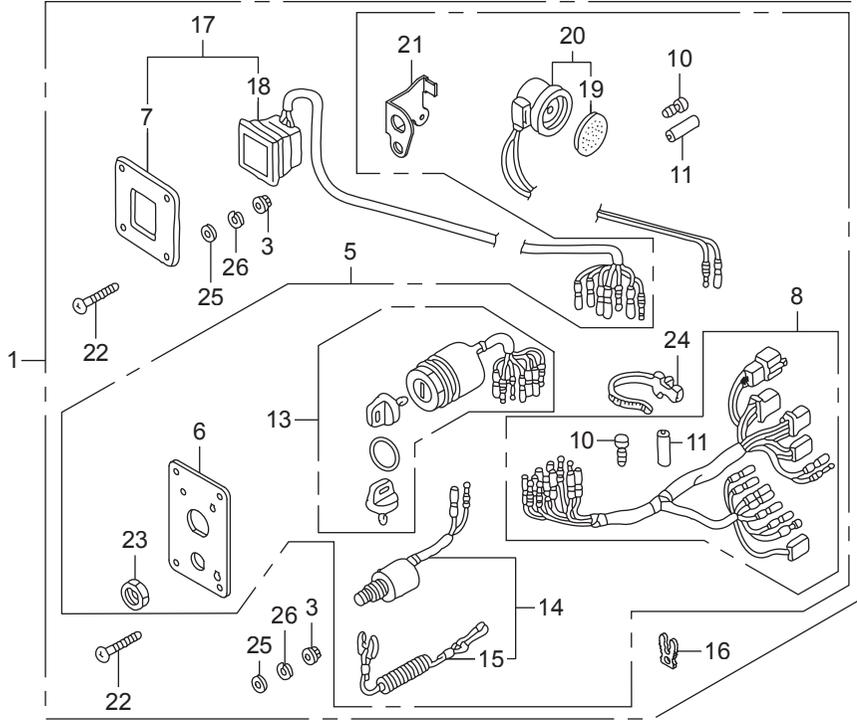




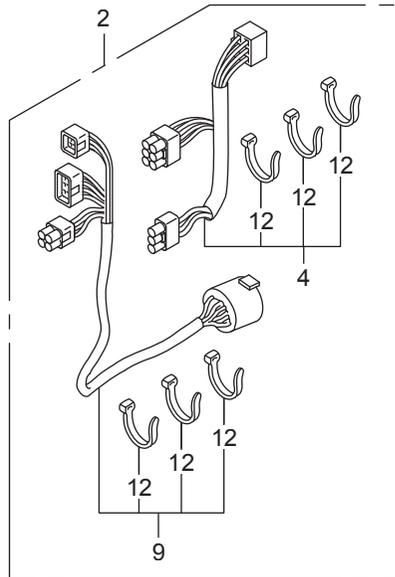
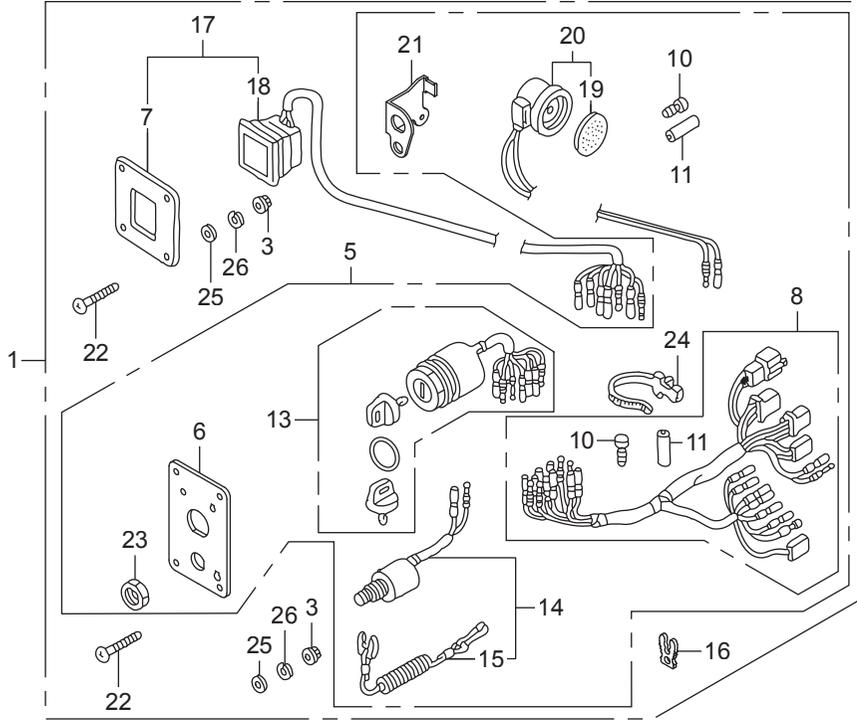




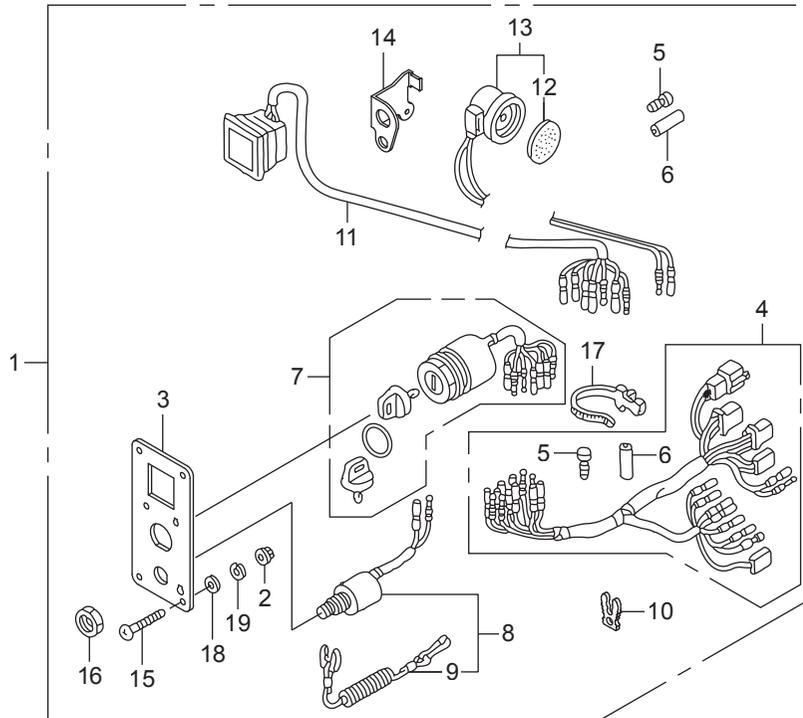
Ref.No.	Part No.	Description	Q' ty		Remarks	
			BET75A	BET90A		
FOP-4-4	1	HZZ3-06240-R40	BOX KIT, REMOTE CONTROL	1	1	(FLUSH MOUNT)(R.)
FOP-4-4	2	HZW7-24810-U01	HOUSING ASSY., R. INNER	1	1	(FLUSH MOUNT)
FOP-4-4	3	HZW7-24811-U01	HANDLE, REMOTE CONTROL	1	1	
FOP-4-4	4	HZW7-24812-U01	COVER, GRIP	1	1	
FOP-4-4	5	HZW7-24813-U01	ARM, NEUTRAL LOCK	1	1	
FOP-4-4	6	HZW7-24814-U01	COVER, LOCK ARM	1	1	
FOP-4-4	7	HZW7-24815-U01	SPRING, NEUTRAL LOCK ARM	1	1	
FOP-4-4	8	HZW5-24816-U01	BUTTON, THROTTLE	1	1	
FOP-4-4	9	HZW7-24817-U01	SHAFT, THROTTLE BUTTON	1	1	
FOP-4-4	10	HZW5-24826-U01	PLATE, DWELL	1	1	
FOP-4-4	11	HZZ3-24830-R41	COVER ASSY.	1	1	
FOP-4-4	12	HZW5-24831-U01	TERMINAL, CABLE	2	2	
FOP-4-4	13	HZW5-24832-U01	SPACER, CABLE CLAMP	1	1	
FOP-4-4	14	HZW7-24832-U01	HOLDER, NEUTRAL LOCK	1	1	
FOP-4-4	15	HZW7-24833-U01	BASE	1	1	
FOP-4-4	16	HZW7-32530-U20	SUB HARNESS ASSY., POWER	1	1	TRIM-TILT(C)
FOP-4-4	17	HZW7-35370-U02	SWITCH ASSY., POWER TRIM-TILT	1	1	(C)
FOP-4-4	18	HZZ3-87701-R40	MARK, HANDLE FLUSH MOUNT	1	1	
FOP-4-4	19	HZW7-87703-U00	MARK, FLUSH MOUNT	1	1	
FOP-4-4	20	HZW5-90101-U00	SCREW, PAN, 5X16	1	1	
FOP-4-4	21	HZW7-90101-U01	SCREW, TRUSS, 4X12	1	1	
FOP-4-4	22	HZW7-90102-U01	SCREW, PAN, 5X30	4	4	
FOP-4-4	23	HZW7-90103-U01	SCREW, PAN, 6X35	3	3	
FOP-4-4	24	HZW7-90104-U01	SCREW, TAPPING, 6X30	3	3	
FOP-4-4	25	HZW7-90301-U01	NUT, HEX., 6MM	3	3	
FOP-4-4	26	HZW5-90501-U00	WASHER, LOCK, 5MM	4	4	
FOP-4-4	27	HZW7-90502-U00	WASHER, PLAIN, 6MM	3	3	
FOP-4-4	28	HCO-94540-06029	E-RING, 6MM	2	2	



Ref.No.	Part No.	Description	Q' ty		Remarks	
			BET75A	BET90A		
FOP-6	1	HZZ3-06323-R20	PANEL KIT, SWITCH(B)(4-LED)	1	1	
FOP-6	2	HZZ5-06325-600	CABLE SET, PANEL INDICATOR	1	1	(20FT)
FOP-6	2	HZZ5-06325-700	CABLE SET, PANEL INDICATOR	1	1	(25FT)
FOP-6	2	HZZ5-06325-800	CABLE SET, PANEL INDICATOR	1	1	(30FT)
FOP-6	3	HMT8-18334-770	NUT, FLANGE, 5MM	8	8	
FOP-6	4	HZZ5-32185-600	CORD ASSY., INDICATOR(20FT)	1	1	
FOP-6	4	HZZ5-32185-700	CORD ASSY., INDICATOR(25FT)	1	1	
FOP-6	4	HZZ5-32185-800	CORD ASSY., INDICATOR(30FT)	1	1	
FOP-6	5	HZZ3-32341-R31	PANEL ASSY., SWITCH	1	1	
FOP-6	6	HZZ3-32346-R21	PANEL, CONTROL	1	1	
FOP-6	7	HZZ3-32347-R01	PANEL, CONTROL	1	1	
FOP-6	8	HZZ5-32545-000	HARNESS ASSY., SWITCH PANEL	1	1	
FOP-6	9	HZZ5-32580-600	CABLE ASSY., SWITCH PANEL	1	1	(20FT)
FOP-6	9	HZZ5-32580-700	CABLE ASSY., SWITCH PANEL	1	1	(25FT)
FOP-6	9	HZZ5-32580-800	CABLE ASSY., SWITCH PANEL	1	1	(30FT)
FOP-6	9	HZZ5-32580-D01	CABLE ASSY., SWITCH PANEL(20FT)(NHK MEC)	1	1	
FOP-6	9	HZZ5-32580-D11	CABLE ASSY., SWITCH PANEL(25FT)(NHK MEC)	1	1	
FOP-6	9	HZZ5-32580-D21	CABLE ASSY., SWITCH PANEL(30FT)(NHK MEC)	1	1	
FOP-6	10	HZV5-32823-003	PLUG, INNER CONNECTOR	8	8	
FOP-6	11	HZV5-32824-003	PLUG, OUTER CONNECTOR	3	3	
FOP-6	12	H952-32901-770	TIE, CABLE(NATURAL)(2.4X92)	6	6	
FOP-6	13	HZZ3-35100-R11	SWITCH ASSY., COMBINATION	1	1	
FOP-6	14	HZV5-36180-033	SWITCH ASSY., EMERGENCY STOP	1	1	
FOP-6	15	HZV4-36182-651	CORD COMP., EMERGENCY	1	1	
FOP-6	16	HZV4-36187-652	CLIP, EMERGENCY LOCK	1	1	
FOP-6	17	HZZ3-37205-R01	PANEL ASSY., INDICATOR(4-LED)	1	1	
FOP-6	18	HZZ5-37210-762	LAMP ASSY., INDICATION(4-LED)	1	1	
FOP-6	19	H341-38403-672	PLATE, WINKER BUZZER	1	1	
FOP-6	20	HZV5-38410-003	BUZZER COMP., WARNING	1	1	

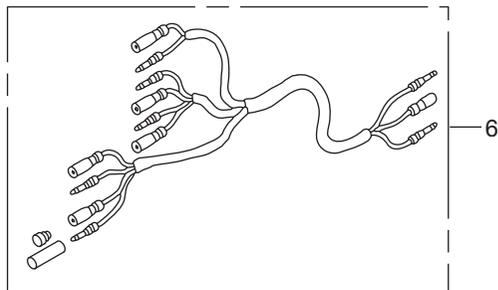
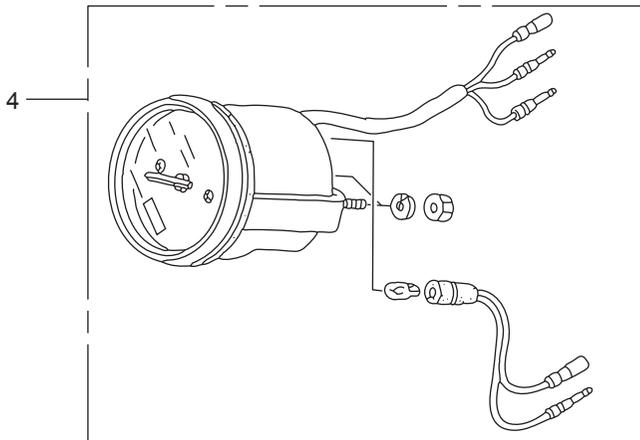
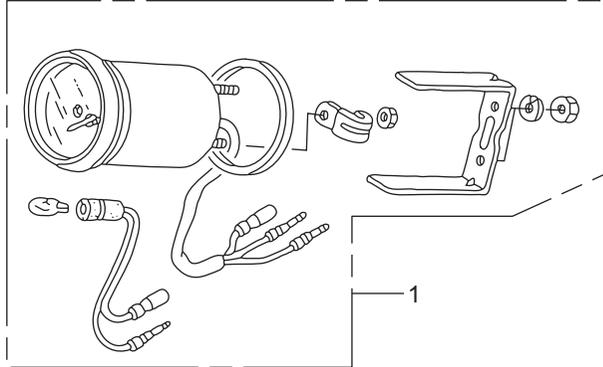




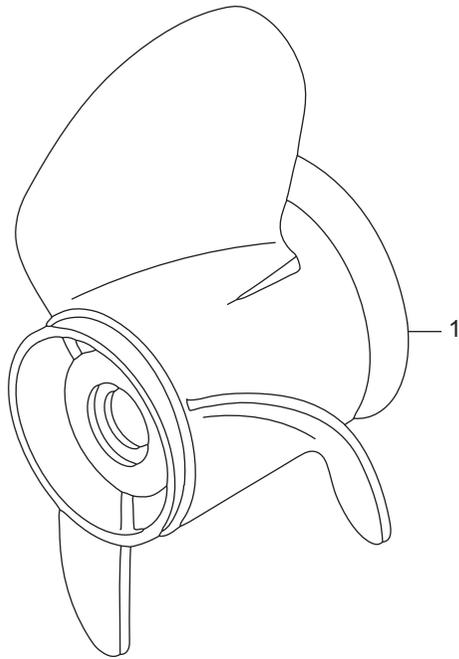




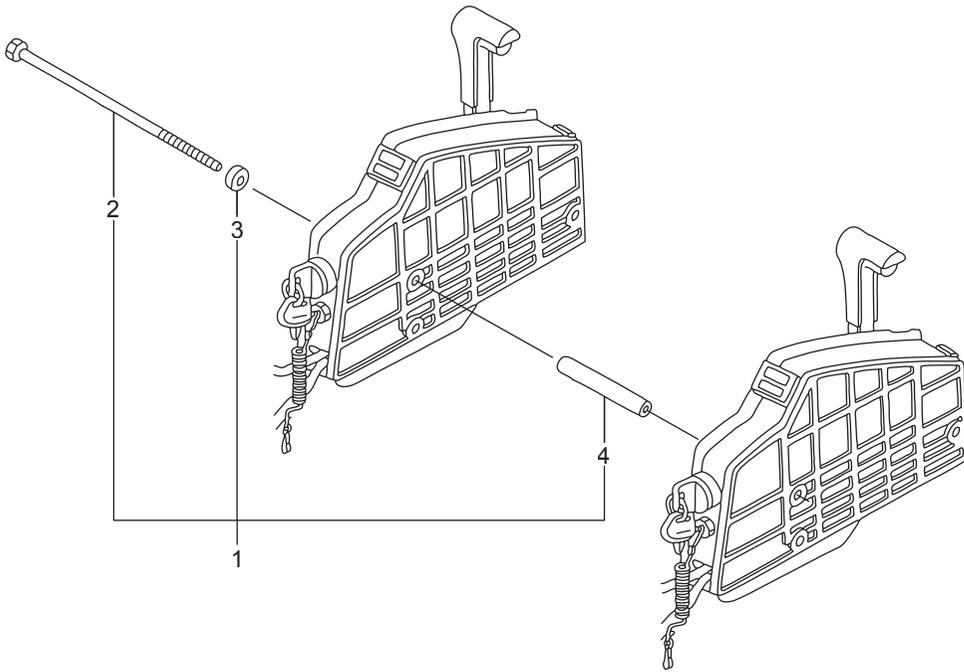




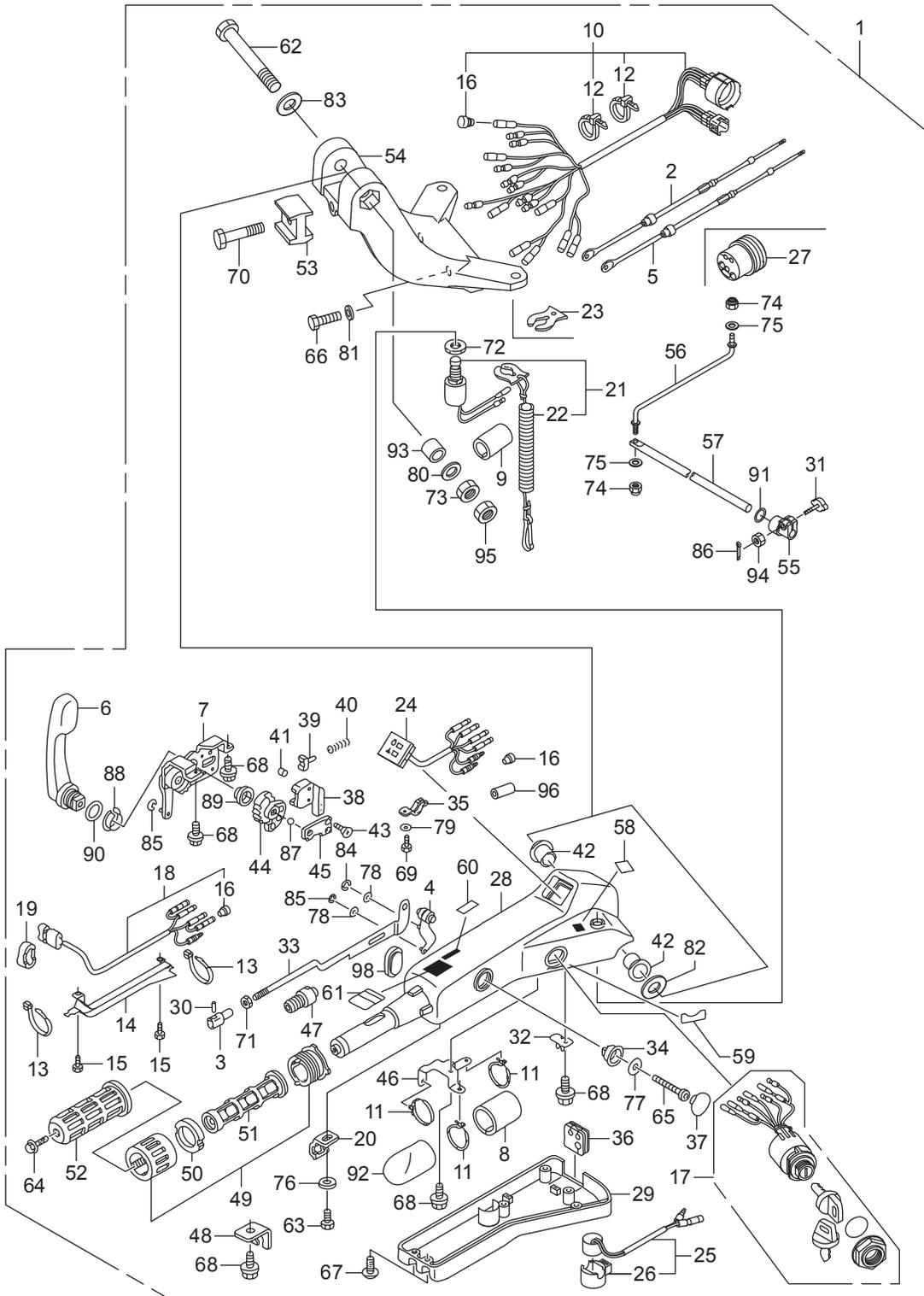






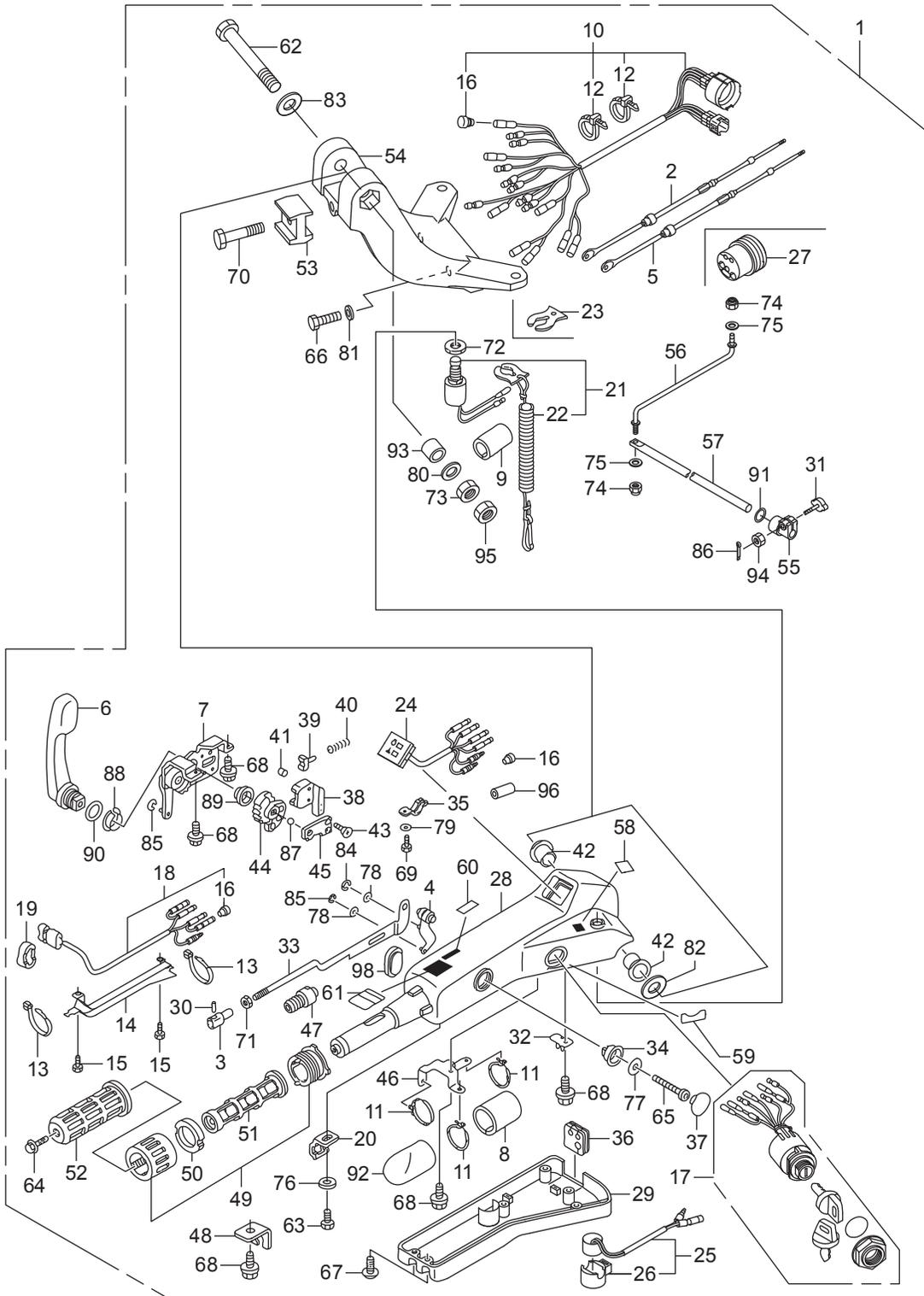




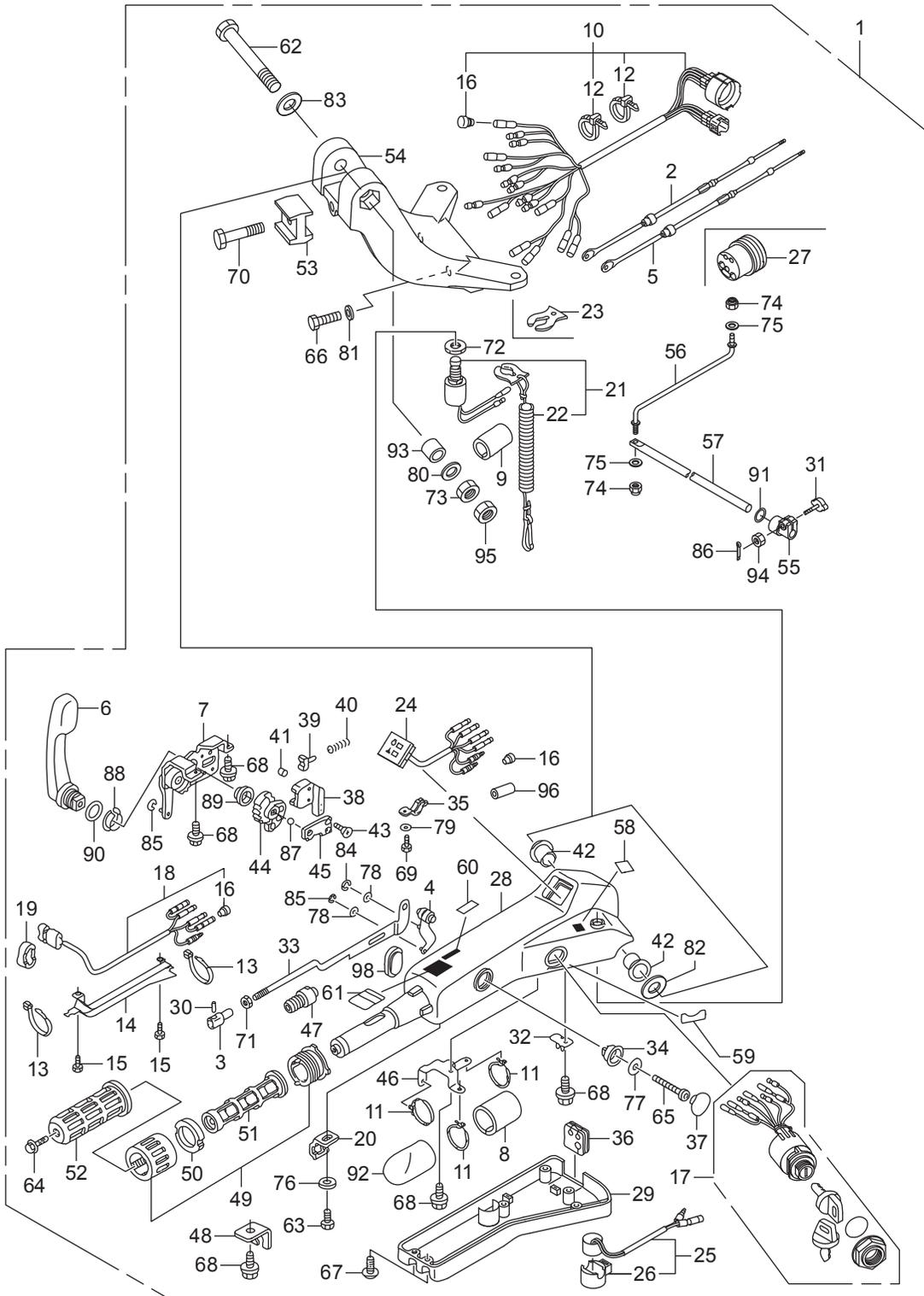




Ref.No.	Part No.	Description	Q' ty		Remarks	
			BET75A	BET90A		
FOP-10	1	HZZ0-06533-R00ZA	HANDLE KIT, STEERING	1	1	*T107* BAY BLUE
FOP-10	2	HZY9-17910-701	CABLE COMP., THROTTLE	1	1	
FOP-10	3	HZW9-17917-000	PIVOT, THROTTLE CABLE	1	1	
FOP-10	4	HZW4-17931-H02	ARM, THROTTLE	1	1	
FOP-10	5	HZY9-24590-701	CABLE COMP., SHIFT	1	1	
FOP-10	6	HZW4-24614-H03	LEVER, SHIFT	1	1	
FOP-10	7	HZW4-24615-H03	FRAME ASSY., SHIFT	1	1	
FOP-10	8	HZW4-32533-H01	TUBE(38.1X40)	1	1	
FOP-10	9	HZY9-32534-A01	TUBE	1	1	
FOP-10	10	HZY9-32538-A01	CABLE ASSY., LONG HANDLE(A)	1	1	
FOP-10	11	HZW4-32543-H01	BAND(CONVEX CV-150)	3	3	
FOP-10	12	HZW4-32544-H01	BAND(CONVEX CV-200)	2	2	
FOP-10	13	HZW4-32547-H01	BAND(CONVEX)	2	2	
FOP-10	14	HZW4-32548-H01	COVER, WIRE	1	1	
FOP-10	15	HZW4-32549-H01	SCREW	2	2	
FOP-10	16	HZV5-32823-003	PLUG, INNER CONNECTOR	14	14	
FOP-10	17	HZZ3-35100-R01	SWITCH ASSY., COMBINATION	1	1	
FOP-10	18	HZW4-35640-H11	SWITCH ASSY., POWER TILT	1	1	
FOP-10	19	HZW4-35643-H02	GROMMET	1	1	
FOP-10	20	HZW4-35645-H02	HOLDER, SWITCH	1	1	
FOP-10	21	HZV5-36180-033	SWITCH ASSY., EMERGENCY STOP	1	1	
FOP-10	22	HZV4-36182-651	CORD COMP., EMERGENCY	1	1	
FOP-10	23	HZV4-36187-652	CLIP, EMERGENCY LOCK	1	1	
FOP-10	24	HZY9-37210-A02	LAMP ASSY., INDICATOR	1	1	
FOP-10	25	HZY9-38400-A00	BUZZER ASSY., WARNING	1	1	
FOP-10	26	HZY9-38402-A00	SUSPENSION, WARNING BUZZER	1	1	
FOP-10	27	HZY9-40105-A00	GROMMET, STEERING HANDLE CABLE	1	1	
FOP-10	28	HZY9-53101-A02ZD	HOUSING	1	1	*T107* BAY BLUE
FOP-10	29	HZY9-53102-A02	COVER, STEERING HANDLE UNDER	1	1	



Ref.No.	Part No.	Description	Q' ty		Remarks	
			BET75A	BET90A		
FOP-10	30	HZW9-53103-000	PIN, THROTTLE CABLE	1	1	
FOP-10	31	HZV3-53104-000	BOLT, FRICTION	1	1	
FOP-10	32	HZW4-53104-H02	BRACKET, CABLE	1	1	
FOP-10	33	HZY9-53105-A01	PLATE ASSY., LOCK	1	1	
FOP-10	34	HZW4-53106-H01	STOPPER	1	1	
FOP-10	35	HZW4-53107-H02	PLATE, GUIDE	1	1	
FOP-10	36	HZY9-53108-A00	GROMMET	1	1	
FOP-10	37	HZW4-53109-H02	CAP	1	1	
FOP-10	38	HZW4-53112-H02	GUIDE, SPRING	1	1	
FOP-10	39	HZW4-53113-H01	ACTUATOR	1	1	
FOP-10	40	HZW4-53114-H01	SPRING, COIL	1	1	
FOP-10	41	HZW4-53116-H01	ROLLER	1	1	
FOP-10	42	HZW4-53116-H11	BUSH, STEERING HANDLE	2	2	
FOP-10	43	HZW4-53117-H01	SCREW(M5X14)	4	4	
FOP-10	44	HZW4-53118-H03	GEAR, SHIFT	1	1	
FOP-10	45	HZW4-53119-H02	PLATE, BALL GUIDE	1	1	
FOP-10	46	HZW4-53121-H02	BRACKET	1	1	
FOP-10	47	HZW4-53122-H01	ROD, GROMMET	1	1	
FOP-10	48	HZW4-53123-H01	CLAMP, BRACKET	1	1	
FOP-10	49	HZW9-53130-000	GRIP ASSY., THROTTLE FRICTION	1	1	
FOP-10	50	HZW9-53133-000	PAD, THROTTLE FRICTION	1	1	
FOP-10	51	HZW4-53141-H00	PIPE, GRIP	1	1	
FOP-10	52	HZW9-53165-000	RUBBER, GRIP	1	1	
FOP-10	53	HZY9-53232-A00	BLOCK, HEIGHT ADJUSTER	1	1	
FOP-10	54	HZY9-53233-A00ZD	BRACKET B, STEERING	1	1	*T107* BAY BLUE
FOP-10	55	HZW1-53236-700	BLOCK, STEERING FRICTION	1	1	
FOP-10	56	HZW1-53238-700	ROD, STEERING FRICTION	1	1	
FOP-10	57	HZW1-53239-701	SHAFT, STEERING FRICTION	1	1	
FOP-10	58	HZW6-87124-U80	MARK, EMERGENCY SWITCH	1	1	INDICATION(EU)

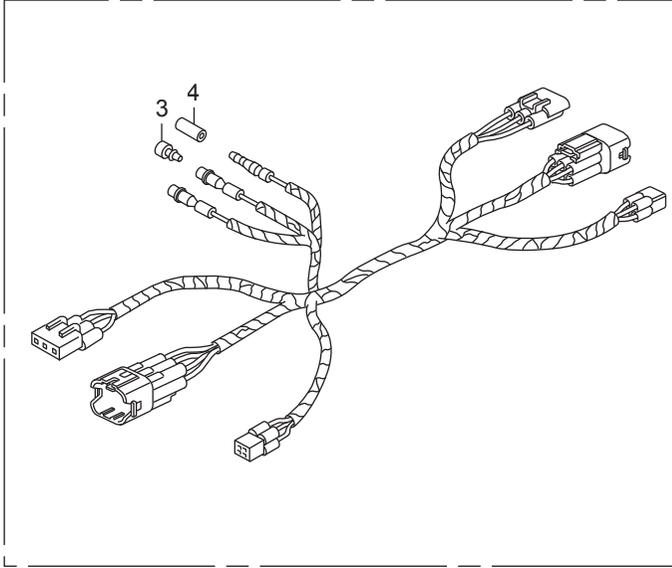


Ref.No.	Part No.	Description	Q' ty		Remarks	
			BET75A	BET90A		
FOP-10	59	HZZ0-87125-R00	MARK, START	1	1	
FOP-10	60	HZW9-87511-000	MARK, CHANGE	1	1	
FOP-10	61	HZW9-87532-640	MARK, THROTTLE(ENGLISH)	1	1	
FOP-10	62	HZW4-90101-H00	BOLT, HEX., 12X80	1	1	
FOP-10	63	HZW4-90102-H01	BOLT(M5X8)	1	1	
FOP-10	64	HZW9-90102-000	BOLT, FLANGE, 6X12	1	1	
FOP-10	65	HZW4-90103-H02	BOLT(M8X50)	1	1	
FOP-10	66	HZY3-90103-000	BOLT, HEX., 10X32	2	2	
FOP-10	67	HZW4-90104-H01	BOLT(M5X12)	6	6	
FOP-10	68	HZW4-90105-H02	BOLT(M6X12)	5	5	
FOP-10	69	HZW4-90106-H01	BOLT(M5X12)	3	3	
FOP-10	70	HHW1-90118-671	BOLT, FLANGE, 8X28	1	1	
FOP-10	71	HZW4-90301-H01	NUT, HEX., 5MM	1	1	
FOP-10	72	H921-90302-000	NUT, HEX., 16MM	1	1	
FOP-10	73	HZW4-90303-H00	NUT, HEX., 12MM	1	1	
FOP-10	74	HZV4-90305-000	NUT, SELF-LOCK, 8MM	2	2	
FOP-10	75	HZW1-90401-000	WASHER, PLAIN, 8MM	2	2	
FOP-10	76	HZW4-90501-H01	WASHER, 5MM	1	1	
FOP-10	77	HZW4-90502-H02	WASHER, 8MM	1	1	
FOP-10	78	HZW4-90503-H01	WASHER, 10MM	2	2	
FOP-10	79	HZW4-90504-H01	WASHER, 5MM	3	3	
FOP-10	80	HZV1-90506-000	WASHER, WAVE, 14MM	1	1	
FOP-10	81	HZV4-90514-000	WASHER, 10MM	2	2	
FOP-10	82	HZV5-90552-000	WASHER, PLAIN, 12MM	1	1	
FOP-10	83	HZV5-90559-000	WASHER, PLAIN, 12MM	1	1	
FOP-10	84	HZW4-90651-H01	E-RING	1	1	
FOP-10	85	HZW4-90652-H01	E-RING	2	2	
FOP-10	86	HZV1-90759-000	PIN, SPLIT, 2.0	1	1	
FOP-10	87	HZY9-90951-A01	BALL, STEEL	1	1	

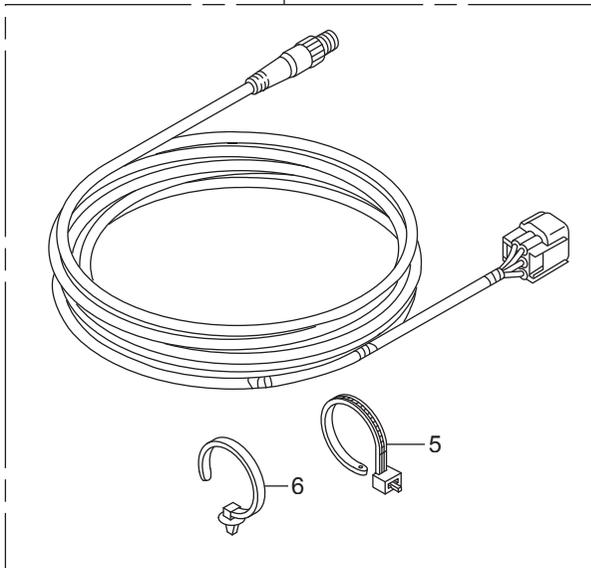




2

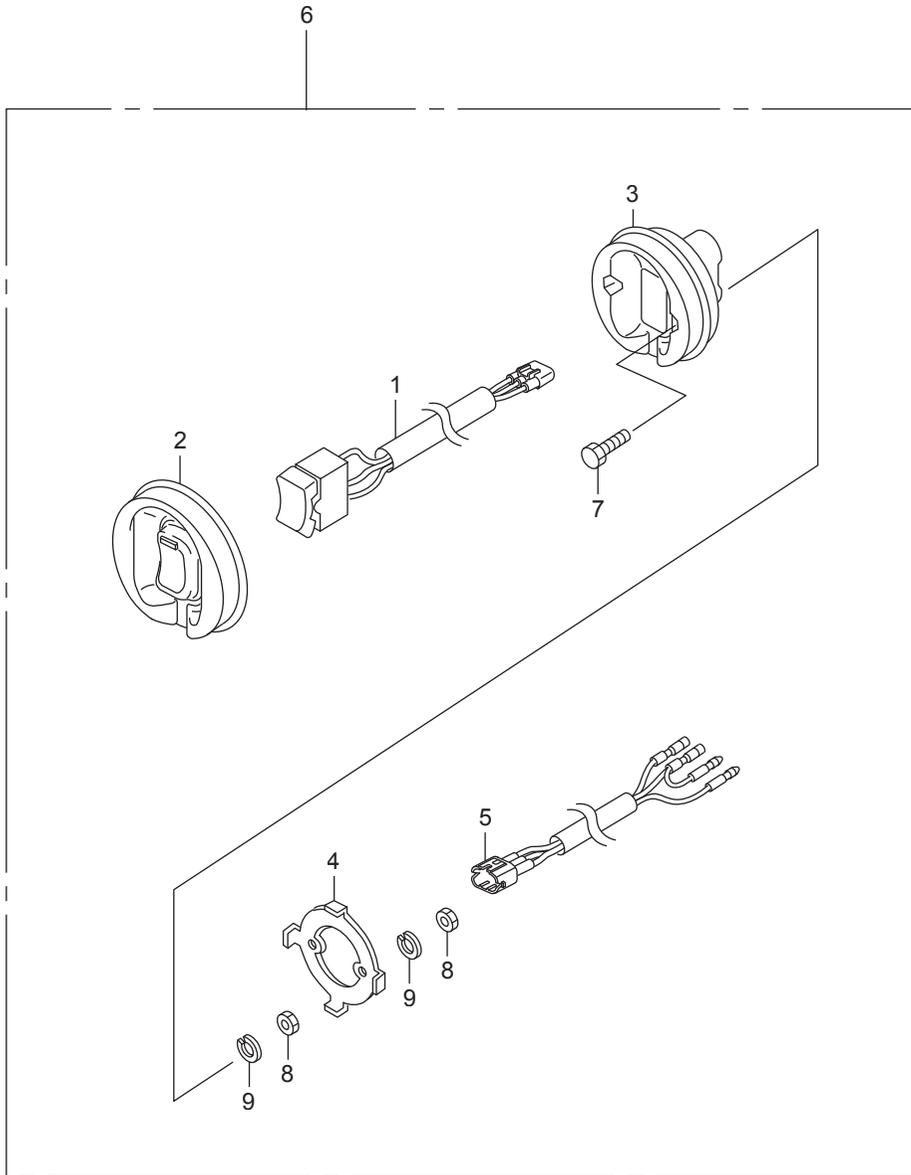


1











# INDEX

<A>		
ACTUATOR .....	FOP-10-39	
ADJUSTER .....	F-15-2-17	
ARM ASSY., BRAKE .....	F-15-2-7	
ARM ASSY., ROCKER .....	E-9-6	
ARM ASSY., SHIFT LINK .....	F-15-1-18	
ARM ASSY., THROTTLE LINK .....	F-15-1-21	
ARM COMP., EX. ROCKER(A) .....	E-9-8	
ARM COMP., EX. ROCKER(B) .....	E-9-9	
ARM COMP., IN. VALVE ROCKER .....	E-9-7	
ARM COMP., LINK JOINT .....	F-15-19	
ARM COMP., SHIFT LINK .....	F-15-15	
ARM, NEUTRAL LOCK .....	F-15-2-4	
ARM, NEUTRAL LOCK .....	FOP-4-4-5	
ARM, SHIFT .....	F-2-11	
ARM, THROTTLE .....	F-2-7	
ARM, THROTTLE .....	FOP-10-4	
ARMATURE COMP. ....	F-11-6	
<B>		
BAG, TOOL, 200MM .....	F-13-14	
BALL, STEEL .....	E-21-6	
BALL, STEEL .....	F-15-1-46	
BALL, STEEL .....	FOP-10-87	
BALL, STEEL, #11(11/32) .....	F-5-28	
BALL, STEEL, #7(7/32) .....	F-5-27	
BAND .....	E-18-20-45	
BAND(BLACK 3.5X140) .....	F-3-4	
BAND(BLACK 3.5X140) .....	F-15-41	
BAND(CONVEX CV-150) .....	FOP-10-11	
BAND(CONVEX CV-200) .....	FOP-10-12	
BAND(CONVEX) .....	FOP-10-13	
BAND, AIR FLOW .....	E-15-6	
BAND, CABLE(B) .....	F-15-1-11	
BAND, CORD .....	F-7-10-2	
BAND, SELF LOCK .....	F-15-65	
BAND, SELF LOCK .....	F-15-2-77	
BAND, UNDER CASE GROMMET .....	F-3-9	
BAND, WIRE .....	F-3-3	
BAND, WIRE .....	F-15-2-37	
BAND, WIRE HARNESS .....	F-7-7	
BAND, WIRE HARNESS(NATURAL) .....	FOP-6-24	
BAND, WIRE HARNESS(NATURAL) .....	FOP-6-1-17	
BASE .....	FOP-4-4-15	
BEARING .....	FOP-10-88	
BEARING .....	FOP-10-89	
BEARING A, CONNECTING ROD .....	E-7-6	
BEARING B, CONNECTING ROD .....	E-7-6	
BEARING B, MAIN LOWER(BLACK) .....	E-7-10	
BEARING B, MAIN UPPER(BLACK) .....	E-7-8	
BEARING C, CONNECTING ROD .....	E-7-6	
BEARING C, MAIN LOWER(BROWN) .....	E-7-10	
BEARING C, MAIN UPPER(BROWN) .....	E-7-8	
BEARING D, CONNECTING ROD .....	E-7-6	
BEARING D, MAIN LOWER(GREEN) .....	E-7-10	
BEARING D, MAIN UPPER(GREEN) .....	E-7-8	
BEARING E, CONNECTING ROD .....	E-7-6	
BEARING E, MAIN LOWER(YELLOW) .....	E-7-10	
BEARING E, MAIN UPPER(YELLOW) .....	E-7-8	
BEARING F, CONNECTING ROD .....	E-7-6	
BEARING F, MAIN LOWER(PINK) .....	E-7-10	
BEARING F, MAIN UPPER(PINK) .....	E-7-8	
BEARING G, CONNECTING ROD(RED) .....	E-7-6	
BEARING G, MAIN LOWER(RED) .....	E-7-10	
BEARING G, MAIN UPPER(RED) .....	E-7-8	
BEARING H, MAIN LOWER(WHITE) .....	E-7-10	
BEARING H, MAIN UPPER(WHITE) .....	E-7-8	
BEARING(1) .....	F-15-2-60	
BEARING(2) .....	F-15-2-71	
BEARING(3) .....	F-15-2-72	
BEARING, BALL(28X38X3) .....	F-5-21	
BEARING, NEEDLE .....	F-4-29	
BEARING, NEEDLE, 30X37X26 .....	F-5-19	
BEARING, RADIAL BALL, 6208 .....	F-5-26	
BEARING, TAPER ROLLER .....	F-4-30	
BEARING, TAPERED ROLLER .....	F-5-20	
BLOCK ASSY., CYLINDER .....	E-3-4	
BLOCK, HEIGHT ADJUSTER .....	FOP-10-53	
BLOCK, NEUTRAL LOCK .....	F-15-7	
BLOCK, STEERING FRICTION .....	FOP-10-55	
BLOCK, THROTTLE FRICTION .....	F-15-29	
BODY .....	E-18-20-4	
BODY, TROLLING CONTROL SWITCH .....	FOP-12-3	
BOLT .....	F-15-1-37	
BOLT A, THROUGH .....	E-21-18	
BOLT KIT, SIDE REMOTE CONTROL .....	FOP-9-1	
BOLT(M5X12) .....	FOP-10-67	
BOLT(M5X12) .....	FOP-10-69	
BOLT(M5X8) .....	FOP-10-63	
BOLT(M6X12) .....	FOP-10-68	
BOLT(M8X50) .....	FOP-10-65	
BOLT, 1/4-28UNF .....	F-10-28	
BOLT, 12MM .....	E-7-13	
BOLT, 3/8-24UNF .....	F-10-30	
BOLT, 5X25 .....	F-15-2-56	
BOLT, 8X50 .....	F-15-2-55	
BOLT, CONNECTING ROD .....	E-7-4	
BOLT, DRAIN PLUG .....	E-6-12	
BOLT, DRAIN PLUG .....	F-3-10-16	
BOLT, FLANGE, 10X25 .....	F-10-36	
BOLT, FLANGE, 10X35 .....	E-21-22	
BOLT, FLANGE, 10X40 .....	F-3-26	
BOLT, FLANGE, 10X75 .....	E-21-19	
BOLT, FLANGE, 6X10 .....	E-14-14	
BOLT, FLANGE, 6X10 .....	F-7-6	
BOLT, FLANGE, 6X11 .....	F-2-26	
BOLT, FLANGE, 6X12 .....	E-6-9	
BOLT, FLANGE, 6X12 .....	F-2-27	
BOLT, FLANGE, 6X12 .....	F-3-28	
BOLT, FLANGE, 6X12 .....	F-3-30-16	
BOLT, FLANGE, 6X12 .....	F-4-20	
BOLT, FLANGE, 6X12 .....	F-7-5	
BOLT, FLANGE, 6X12 .....	F-7-10-22	
BOLT, FLANGE, 6X12 .....	FOP-10-64	
BOLT, FLANGE, 6X14 .....	E-3-34	
BOLT, FLANGE, 6X14 .....	E-9-30	
BOLT, FLANGE, 6X14 .....	E-18-20-49	
BOLT, FLANGE, 6X14 .....	F-7-10-25	
BOLT, FLANGE, 6X14(CT200) .....	E-9-10-7	
BOLT, FLANGE, 6X14(CT200) .....	E-18-20	
BOLT, FLANGE, 6X14(CT200) .....	E-18-10-17	
BOLT, FLANGE, 6X14(CT200) .....	F-2-23	
BOLT, FLANGE, 6X14(CT200) .....	F-7-4	
BOLT, FLANGE, 6X14(CT200) .....	F-7-18	
BOLT, FLANGE, 6X14(CT200) .....	F-7-10-21	
BOLT, FLANGE, 6X16 .....	E-2-29	
BOLT, FLANGE, 6X16 .....	E-6-18	
BOLT, FLANGE, 6X16 .....	E-9-10-9	
BOLT, FLANGE, 6X16 .....	F-2-25	
BOLT, FLANGE, 6X16 .....	F-10-38	
BOLT, FLANGE, 6X18(CT200) .....	E-5-10	
BOLT, FLANGE, 6X18(CT200) .....	F-2-24	
BOLT, FLANGE, 6X20 .....	E-2-30	
BOLT, FLANGE, 6X20 .....	F-3-30-17	
BOLT, FLANGE, 6X20 .....	F-7-10-24	
BOLT, FLANGE, 6X20 .....	F-10-31	
BOLT, FLANGE, 6X22 .....	E-1-4	
BOLT, FLANGE, 6X22 .....	E-2-32	
BOLT, FLANGE, 6X22 .....	E-3-22	
BOLT, FLANGE, 6X22 .....	E-9-10-11	
BOLT, FLANGE, 6X22 .....	E-18-19	
BOLT, FLANGE, 6X22 .....	F-3-30-14	
BOLT, FLANGE, 6X23 .....	F-10-27	
BOLT, FLANGE, 6X25 .....	E-3-20	
BOLT, FLANGE, 6X25 .....	E-18-21	
BOLT, FLANGE, 6X25 .....	E-18-20-48	
BOLT, FLANGE, 6X25 .....	E-20-2	
BOLT, FLANGE, 6X25(SUS-D) .....	F-10-37	
BOLT, FLANGE, 6X28 .....	E-9-31	
BOLT, FLANGE, 6X28 .....	E-9-10-8	
BOLT, FLANGE, 6X32 .....	E-3-23	
BOLT, FLANGE, 6X32 .....	E-19-5	
BOLT, FLANGE, 6X35 .....	E-2-31	
BOLT, FLANGE, 6X35 .....	F-3-10-22	
BOLT, FLANGE, 6X40 .....	E-9-10-12	
BOLT, FLANGE, 6X55 .....	E-2-34	
BOLT, FLANGE, 6X55 .....	F-8-26	
BOLT, FLANGE, 8X100 .....	E-6-8	
BOLT, FLANGE, 8X100 .....	E-6-19	
BOLT, FLANGE, 8X110 .....	E-2-28	
BOLT, FLANGE, 8X120 .....	E-6-20	
BOLT, FLANGE, 8X18 .....	F-7-10-28	
BOLT, FLANGE, 8X20 .....	E-3-21	
BOLT, FLANGE, 8X25 .....	F-10-35	
BOLT, FLANGE, 8X28 .....	FOP-10-70	
BOLT, FLANGE, 8X35 .....	E-3-24	
BOLT, FLANGE, 8X35 .....	E-6-10	
BOLT, FLANGE, 8X35 .....	E-14-15	
BOLT, FLANGE, 8X35 .....	F-15-50	
BOLT, FLANGE, 8X40 .....	E-5-12	
BOLT, FLANGE, 8X45 .....	E-3-25	
BOLT, FLANGE, 8X45 .....	E-6-11	
BOLT, FLANGE, 8X45 .....	E-14-16	
BOLT, FLANGE, 8X60 .....	E-5-11	
BOLT, FLANGE, 8X60 .....	E-15-18	
BOLT, FLANGE, 8X95 .....	E-2-27	
BOLT, FLANGE,(SH)6X20 .....	F-8-31	
BOLT, FLANGE,(SH)6X25 .....	E-15-19	
BOLT, FRICTION .....	F-15-30	
BOLT, FRICTION .....	FOP-10-31	
BOLT, HEX .....	F-11-30	
BOLT, HEX., 10X235 .....	F-10-32	
BOLT, HEX., 10X32 .....	FOP-10-66	
BOLT, HEX., 10X80 .....	F-3-10-14	
BOLT, HEX., 12X119 .....	F-10-34	
BOLT, HEX., 12X186 .....	F-3-27	
BOLT, HEX., 12X186 .....	F-10-29	
BOLT, HEX., 12X80 .....	FOP-10-62	
BOLT, HEX., 4X20 .....	FOP-12-7	
BOLT, HEX., 5X16 .....	F-15-70	
BOLT, HEX., 6X14 .....	F-10-33	
BOLT, HEX., 8X25 .....	F-3-10-15	
BOLT, HEX., 8X55 .....	F-4-19	
BOLT, HEX., 8X55 .....	FOP-3-10	
BOLT, OIL CHECK .....	F-3-10-12	
BOLT, RECESSED .....	F-11-27	
BOLT, ROCKER ARM SHAFT .....	E-9-25	
BOLT, RR. BRACKET .....	F-8-28	
BOLT, SEALING, 18MM .....	E-5-7	
BOLT, SEALING, 20MM .....	E-2-7	
BOLT, SEALING, 24MM .....	E-3-1	
BOLT, SEALING, 6MM .....	E-18-20-46	
BOLT, SOCKET(A) .....	F-11-28	
BOLT, SOCKET(B) .....	F-11-29	
BOLT, SOCKET, 6X16 .....	F-3-10-20	
BOLT, SPECIAL, 6X17 .....	F-8-27	
BOLT, SPECIAL, 6X220 .....	FOP-9-2	
BOLT, SPECIAL, 6X31 .....	E-9-10-10	
BOLT, SPECIAL, 6X37 .....	F-8-30	
BOLT, STUD(10X164) .....	F-3-10-19	
BOLT, STUD(10X202) .....	F-3-10-18	
BOLT, STUD, 6X40 .....	E-14-12	
BOLT, STUD, 8X28 .....	F-3-30-15	
BOLT, STUD, 8X32 .....	E-2-33	
BOLT, TDC PULSER PLATE .....	E-9-4	
BOLT, TENSIONER PIVOT .....	E-9-24	
BOLT, TORX(M6X20) .....	E-20-10-11	
BOLT-WASHER, 10X105 .....	E-3-17	
BOLT-WASHER, 10X30 .....	E-9-26	
BOLT-WASHER, 10X40 .....	F-3-10-17	
BOLT-WASHER, 10X40 .....	F-5-13	
BOLT-WASHER, 14X36 .....	E-19-4	
BOLT-WASHER, 5X30 .....	E-15-17	
BOLT-WASHER, 5X9 .....	F-7-20	
BOLT-WASHER, 6X22 .....	F-8-25	
BOLT-WASHER, 6X27 .....	F-3-31	
BOLT-WASHER, 6X27(CT200) .....	E-15-15	
BOLT-WASHER, 6X27(CT200) .....	E-20-10-10	
BOLT-WASHER, 6X27(CT200) .....	F-7-17	
BOLT-WASHER, 6X27(CT200) .....	F-7-10-42	
BOLT-WASHER, 6X27(CT200) .....	F-8-24	
BOLT-WASHER, 6X95 .....	F-3-29	
BOLT-WASHER, 8X30 .....	F-3-30	
BOLT-WASHER, 8X35 .....	E-14-13	
BOLT-WASHER, 8X35 .....	E-18-20-47	
BOLT-WASHER, 9X155 .....	E-2-26	
BOX ASSY., REMOTE CONTROL .....	F-15-1-1	
BOX ASSY., REMOTE CONTROL (NHK MEC) .....	F-15-2-1	

BOX ASSY., REMOTE CONTROL(EU).....	F-15-2	CAP, GRIP .....	FOP-4-7	COLLAR, C.D.I. UNIT CASE .....	F-3-41
BOX KIT, REMOTE CONTROL.....	FOP-4-1	CAP, GRIP .....	FOP-4-2-9	COLLAR, C.D.I. UNIT CASE .....	F-7-23
BOX KIT, REMOTE CONTROL.....	FOP-4-2-1	CAP, HANDLE.....	F-15-6	COLLAR, C.D.I. UNIT CASE .....	F-7-10-35
BOX KIT, REMOTE CONTROL.....	FOP-4-4-1	CAP, L. SIDE COVER .....	F-3-24	COLLAR, C.D.I. UNIT CASE .....	F-7-20-4
BRACKET .....	F-15-2-11	CAP, RUBBER .....	F-15-2-16	COLLAR, C.D.I. UNIT CASE .....	F-7-30-3
BRACKET .....	FOP-10-46	CAP, SWITCH .....	FOP-4-8	COLLAR, C.D.I. UNIT CASE .....	F-8-40
BRACKET A, COUPLER.....	F-7-2	CAP, TROLLING CONTROL SWITCH BLANK.....	F-15-2-22	COLLAR, DISTANCE .....	F-4-36
BRACKET A, HARNESS CLIP.....	E-9-10-2	CAP, WATER JOINT .....	F-8-5	COLLAR, DISTANCE .....	FOP-3-14
BRACKET ASSY.....	F-11-5	CARTRIDGE, OIL FILTER .....	E-3-5	COLLAR, DISTANCE(6.5X11X27) .....	F-8-39
BRACKET B, HARNESS CLIP .....	E-18-10-15	CASE ASSY., GEAR(L) .....	F-3-20-1	COLLAR, DISTANCE(A) .....	FOP-9-3
BRACKET B, STEERING.....	FOP-10-54	CASE ASSY., GEAR(XL).....	F-3-20-1	COLLAR, DISTANCE(B) .....	FOP-9-4
BRACKET C, COUPLER.....	F-7-3	CASE ASSY., OIL.....	E-6-1	COLLAR, DISTANCE, 12.2X23X16 .....	FOP-10-93
BRACKET C, HARNESS CLIP .....	E-9-10-3	CASE COMP., CHAIN .....	E-9-10-1	COLLAR, DISTANCE, 6.2X7.5 .....	F-8-42
BRACKET D, HARNESS CLIP .....	E-2-22	CASE COMP., MOUNT .....	F-3-30-12	COLLAR, DISTANCE, 6.5X11X7.5 .....	F-3-30-2
BRACKET E, HARNESS CLIP .....	E-9-10-4	CASE COMP., SILENCER .....	E-15-7	COLLAR, DISTANCE, 6.5X11X7.5 .....	F-7-10-1
BRACKET, BUZZER .....	FOP-6-21	CASE COMP., SILENCER .....	E-15-7	COLLAR, DISTANCE, 6.5X9X3 .....	F-3-10-31
BRACKET, BUZZER .....	FOP-6-1-14	CASE, ELECTRONIC PARTS.....	F-7-20-1	COLLAR, DISTANCE, 6.5X9X5 .....	F-8-41
BRACKET, CABLE.....	FOP-10-32	CASE, EXTENSION.....	F-3-11	COLLAR, DISTANCE, 6X10X43.5.....	F-15-69
BRACKET, COUPLER.....	F-7-11	CASE, GEAR .....	F-3-10-4	COLLAR, FR. BRACKET.....	F-3-42
BRACKET, ELECTRONIC CONTROL .....	E-20-10-4	CASE, PUMP .....	E-18-20-25	COLLAR, LINK JOINT .....	F-15-68
BRACKET, FR.....	E-21-10	CASE, SWIVEL.....	F-10-12	COLLAR, LOWER CYLINDER .....	F-10-26
BRACKET, FR. UNDER COVER .....	F-3-10	CHAIN(132L) .....	E-9-5	COLLAR, LOWER MOUNTING.....	F-3-17
BRACKET, FUEL TUBE CLAMP .....	E-18-10	CIRCLIP, EXTERNAL .....	F-15-1-44	COLLAR, ORIFICE .....	F-11-44
BRACKET, FUSE BOX .....	F-7-10-12	CIRCLIP, EXTERNAL, 12 .....	F-2-35	COLLAR, P.T.T. RELAY .....	F-7-10-36
BRACKET, L. STERN.....	F-10-16	CIRCLIP, EXTERNAL, 14MM .....	F-5-25	COLLAR, SLIDING PLATE .....	F-15-17
BRACKET, LINK JOINT .....	F-15-20	CIRCLIP, EXTERNAL, 39MM .....	F-10-54	COLLAR, SPLASH PLATE.....	F-10-59
BRACKET, NEUTRAL SWITCH .....	F-2-20	CIRCLIP, INTERNAL .....	F-11-32	COLLAR, STEERING ROD .....	F-10-60
BRACKET, R. STERN .....	F-10-15	CIRCLIP, INTERNAL, 40 .....	F-3-10-28	CONTROL UNIT, ELECTRONIC.....	E-20-10-9
BRACKET, RELAY .....	F-7-10-16	CLAMP .....	F-6-5	CONTROL UNIT, ELECTRONIC.....	E-20-10-9
BRACKET, REMOTE CONTROL .....	FOP-4-12	CLAMP .....	F-6-8	CORD ASSY., INDICATOR(20FT) .....	FOP-6-4
BRACKET, REMOTE CONTROL .....	FOP-4-2-13	CLAMP A, FUEL TUBE .....	E-18-13	CORD ASSY., INDICATOR(25FT).....	FOP-6-4
BRACKET, RR.....	E-21-11	CLAMP B, FUEL TUBE .....	E-2-14	CORD ASSY., INDICATOR(30FT).....	FOP-6-4
BRACKET, SENSOR CORD.....	E-15-10	CLAMP B, FUEL TUBE .....	E-15-4	CORD COMP., EMERGENCY.....	F-15-43
BRACKET, SHIFT LINK .....	F-2-16	CLAMP B, FUEL TUBE .....	E-18-14	CORD COMP., EMERGENCY.....	F-15-1-29
BRACKET, TILTING .....	F-10-21	CLAMP B, FUEL TUBE .....	E-18-20-38	CORD COMP., EMERGENCY.....	F-15-2-39
BRACKET, TROLLING CONTROL .....	FOP-12-4	CLAMP D, FUEL TUBE .....	E-18-20-39	CORD COMP., EMERGENCY.....	FOP-6-15
BRACKET, UNDER COVER.....	F-8-10	CLAMP, BRACKET .....	FOP-10-48	CORD COMP., EMERGENCY.....	FOP-6-1-9
BRACKET, WIRE CLAMP .....	F-15-2-15	CLAMP, CHECK VALVE .....	E-18-20-24	CORD COMP., EMERGENCY.....	FOP-10-22
BREAKER ASSY.....	F-11-1	CLAMP, HARNESS.....	F-15-10	COTTER, VALVE(FUJI VALVE).....	E-9-23
BRUSH ASSY.....	F-11-2	CLAMP, OXYGEN SENSOR.....	E-18-18	COVER ASSY.....	FOP-4-4-11
BRUSH SET .....	E-21-7	CLAMP, POWER TILT CORD.....	F-15-32	COVER ASSY., A.C. GENERATOR.....	F-7-30-1
BUFFER, PLATE .....	E-18-10-4	CLAMP, TUBE .....	E-18-10-14	COVER ASSY., ENGINE .....	F-8-13
BUSH.....	F-15-1-23	CLAMP, TUBE(7.5-11.5)(BLACK).....	E-18-10-13	COVER ASSY., FUSE(70A) .....	F-7-14
BUSH A, COVER LOCK.....	F-2-22	CLAMP, TUBE(D10.5).....	F-3-30-18	COVER ASSY., OIL PATH .....	E-2-12
BUSH COMP., VERTICAL SHAFT .....	F-3-10-3	CLAMP, TUBE(D10.7).....	E-18-20-51	COVER B, GEAR CASE .....	F-3-10-6
BUSH, LOWER CYLINDER.....	F-11-23	CLAMP, TUBE(D29) .....	E-1-5	COVER B, GEAR CASE .....	E-18-20-5
BUSH, MOTOR CODE.....	F-3-21	CLAMPER, CORD.....	F-7-10-8	COVER COMP., CYLINDER HEAD .....	E-1-1
BUSH, MOTOR CODE.....	F-11-18	CLIP B1, TUBE.....	F-8-36	COVER COMP., L. ENGINE UNDER .....	F-8-19
BUSH, STEERING HANDLE .....	FOP-10-42	CLIP(14MM).....	F-3-37	COVER COMP., R. ENGINE UNDER .....	F-8-18
BUSH, SWIVEL CASE .....	F-10-14	CLIP, 10.7MM.....	F-8-35	COVER, DUAL GRIP .....	FOP-4-2-8
BUSH, SWIVEL CASE .....	F-11-10	CLIP, 7MM .....	F-3-38	COVER, FLUSH VALVE .....	F-3-30-4
BUSH, TILT ARM .....	F-10-20	CLIP, BRAKE PIPE(A).....	F-2-21	COVER, GRIP .....	F-15-1-6
BUSHING.....	F-15-1-8	CLIP, COUPLER HOLDER(B).....	F-7-10-10	COVER, GRIP.....	FOP-4-4-4
BUTTON, THROTTLE .....	F-15-1-9	CLIP, DETENT .....	F-15-2-9	COVER, IMPELLER.....	F-4-4
BUTTON, THROTTLE .....	FOP-4-9	CLIP, EMERGENCY LOCK .....	F-15-44	COVER, IMPELLER.....	FOP-3-6
BUTTON, THROTTLE .....	FOP-4-2-10	CLIP, EMERGENCY LOCK .....	FOP-6-16	COVER, L. GRIP.....	FOP-4-5
BUTTON, THROTTLE .....	FOP-4-4-8	CLIP, EMERGENCY LOCK .....	FOP-6-1-10	COVER, L. GRIP.....	FOP-4-2-6
BUZZER ASSY., WARNING .....	FOP-10-25	CLIP, EMERGENCY LOCK .....	FOP-10-23	COVER, LEVER .....	F-15-2-6
BUZZER COMP., WARNING .....	F-15-47	CLIP, HARNESS.....	E-2-35	COVER, LOCK ARM.....	FOP-4-4-6
BUZZER COMP., WARNING .....	F-15-2-42	CLIP, HARNESS BAND(BLACK) .....	E-2-38	COVER, OIL PUMP .....	E-5-2
BUZZER COMP., WARNING .....	FOP-6-20	CLIP, HARNESS BAND(BLACK) .....	F-2-42	COVER, PLUG MAINTENANCE .....	F-8-17
BUZZER COMP., WARNING .....	FOP-6-1-13	CLIP, HARNESS BAND(BLACK) .....	F-7-8	COVER, POWER TRIM-TILT WIRE .....	F-15-2-18
<C>		CLIP, HARNESS BAND(BLACK) .....	FOP-11-6	COVER, POWER TRIM-TILT WIRE(LOOSE PARTS) .....	F-15-2-75
CABLE ASSY., LONG HANDLE(A).....	FOP-10-10	CLIP, HARNESS BAND(BROWN) .....	F-7-9	COVER, PUMP(A) .....	E-18-20-27
CABLE ASSY., REMOTE CONTROL(B) .....	F-15-35	CLIP, HARNESS BAND(NATURAL) .....	E-19-6	COVER, PUMP(B).....	E-18-20-26
CABLE ASSY., REMOTE CONTROL(B) .....	F-15-2-30	CLIP, INJECTOR .....	E-14-2	COVER, RELIEF VALVE .....	F-3-30-8
CABLE ASSY., STARTER .....	F-7-10-4	CLIP, ROLLER .....	F-15-2-74	COVER, REMOTE CONTROL CABLE.....	F-2-6
CABLE ASSY., SWITCH PANEL .....	FOP-6-9	CLIP, SENSOR HOSE .....	E-18-10-16	COVER, SEPARATE FRONT .....	F-8-9
CABLE ASSY., SWITCH PANEL.....	FOP-6-9	CLIP, TUBE.....	E-18-20-23	COVER, STARTER TERMINAL.....	F-7-10-5
CABLE ASSY., SWITCH PANEL.....	FOP-6-9	CLIP, TUBE.....	F-3-30-25	COVER, STEERING HANDLE UNDER .....	FOP-10-29
CABLE ASSY., SWITCH PANEL(20FT)(NHK MEC).....	FOP-6-9	CLIP, TUBE(B10).....	F-3-30-19	COVER, THERMOSTAT .....	E-2-16
CABLE ASSY., SWITCH PANEL(25FT)(NHK MEC).....	FOP-6-9	CLIP, TUBE(B12).....	E-18-22	COVER, THERMOSTAT .....	E-3-10
CABLE ASSY., SWITCH PANEL(30FT)(NHK MEC).....	FOP-6-9	CLIP, TUBE(B12).....	E-18-10-18	COVER, UPPER MOUNT .....	F-10-10
CABLE COMP., SHIFT .....	FOP-10-5	CLIP, TUBE, 3.5 .....	F-7-10-19	COVER, WATER JACKET .....	E-2-18
CABLE COMP., THROTTLE .....	FOP-10-2	CLIP, WIRE HARNESS .....	F-7-20-3	COVER, WATER JACKET .....	E-18-20-10
CABLE SET, PANEL INDICATOR .....	FOP-6-2	CLIP, WIRE HARNESS .....	F-10-55	COVER, WIRE .....	FOP-10-14
CABLE SET, PANEL INDICATOR .....	FOP-6-2	CLIP, WIRE HARNESS(6.3MM).....	F-15-67	CRANKSHAFT COMP.....	E-7-7
CABLE SET, PANEL INDICATOR .....	FOP-6-2	CLIP, WIRE HARNESS, 25MM.....	F-7-10-33	CUP, WATER SEPARATOR.....	E-18-10-3
CAMSHAFT COMP.....	E-9-1	CLUTCH COMP., OVERRUNNING.....	E-21-2	<D>	
CAMSHAFT COMP.....	E-9-1	COIL ASSY., PLUG TOP .....	E-20-1	DOWEL PIN, 12X14 .....	E-3-27
CAP .....	FOP-10-37	COLLAR, 8.5X14.5 .....	E-14-22	DOWEL PIN, 14X20 .....	E-2-41
CAP ASSY., OIL FILLER.....	E-3-6	COLLAR, 8.5X14.5 .....	E-18-20-53	DOWEL PIN, 6X10.....	E-6-14
CAP COMP., OIL TANK .....	F-11-26	COLLAR, C.D.I. UNIT CASE .....	E-15-24	DOWEL PIN, 6X10.....	E-6-17

DOWEL PIN, 6X10.....	F-3-40	GROMMET, VAPOR SEPARATOR.....	E-18-20-32	KEY, WOODRUFF.....	F-4-27
DOWEL PIN, 6X10.....	F-3-10-29	GROMMET, WATER CHECK.....	F-8-22	KEY, WOODRUFF.....	FOP-3-12
DOWEL PIN, 6X10.....	F-3-10-29	GROMMET, WATER TUBE.....	E-6-5	KIT, CABLE(NMEA)(6FT).....	FOP-11-1
DOWEL PIN, 6X10.....	F-4-28	GROMMET, WIRE(14).....	F-15-2-21	KNOB, RECOIL STARTER.....	F-13-1
DRIVER 1, PLUS SCREW(NO.2).....	F-13-16	GUIDE COMP., CAM CHAIN.....	E-9-12	<L>	
DRUM ASSY., FREE THROTTLE.....	F-15-2-26	GUIDE COMP, ROD.....	F-11-46	LABEL, CAUTION OIL(ENGLISH).....	F-12-13
<E>		GUIDE, EX. VALVE(OS).....	E-2-3	LABEL, CAUTION OPERATOR.....	F-12-15
E-RING.....	FOP-10-84	GUIDE, IN. VALVE(OS).....	E-2-2	LABEL, FUSE.....	F-12-1
E-RING.....	FOP-10-85	GUIDE, SPRING.....	FOP-10-38	LABEL, SIGP.....	F-15-2-48
E-RING, 10MM.....	F-4-37	<H>		LAMP ASSY., INDICATION.....	F-15-45
E-RING, 12MM.....	F-2-46	HANDLE KIT, STEERING.....	FOP-10-1	LAMP ASSY., INDICATION.....	F-15-2-40
E-RING, 15MM.....	F-11-45	HANDLE, REMOTE CONTROL.....	F-15-3	LAMP ASSY., INDICATION(4-LED).....	FOP-6-18
E-RING, 3MM.....	F-15-79	HANDLE, REMOTE CONTROL.....	F-15-1-2	LAMP ASSY., INDICATION(4-LED).....	FOP-6-1-11
E-RING, 4MM.....	F-2-44	HANDLE, REMOTE CONTROL.....	FOP-4-4	LAMP ASSY., INDICATOR.....	FOP-10-24
E-RING, 4MM.....	F-3-43	HANDLE, REMOTE CONTROL.....	FOP-4-2-5	LEVER SET.....	E-21-17
E-RING, 4MM.....	F-15-80	HANDLE, REMOTE CONTROL.....	FOP-4-4-3	LEVER, FASTENER.....	F-3-22
E-RING, 6MM.....	F-2-45	HANGER, ENGINE.....	E-3-3	LEVER, FASTENER.....	F-8-15
E-RING, 6MM.....	FOP-4-36	HARNESS ASSY., MAIN WIRE.....	F-7-1	LEVER, FREE THROTTLE.....	F-15-2-28
E-RING, 6MM.....	FOP-4-2-41	HARNESS ASSY., MAIN WIRE.....	F-7-1	LEVER, HAND.....	F-15-2-3
E-RING, 6MM.....	FOP-4-4-28	HARNESS ASSY., POWER TRIM-TILT.....	F-15-1-27	LEVER, HANDLE LOCK.....	F-15-4
E-RING, 6MM(LOOSE PARTS).....	F-15-2-68	HARNESS ASSY., REMOTE CONTROL.....	FOP-11-2	LEVER, HANDLE LOCK.....	F-15-1-3
E-RING, 7MM.....	F-15-81	HARNESS ASSY., SWITCH PANEL.....	FOP-6-8	LEVER, IDLE.....	F-15-23
EXTENSION, OIL FILLER.....	E-3-8	HARNESS ASSY., SWITCH PANEL.....	FOP-6-1-4	LEVER, SHIFT.....	FOP-10-6
<F>		HARNESS COMP.....	E-18-20-44	LIFTER, FUEL PUMP.....	E-2-13
FILTER ASSY., SPOOL VALVE.....	E-2-11	HARNESS, TROLLING CONTROL.....	FOP-12-5	LINE COMP, FUEL.....	E-14-3
FILTER B.....	F-11-16	HEAD COMP., CYLINDER.....	E-2-5	LINER, PUMP.....	F-4-3
FLOAT SET.....	E-18-20-2	HOLDER.....	E-18-20-9	LINER, PUMP.....	FOP-3-5
FLYWHEEL COMP.....	E-7-12	HOLDER COMP, BRUSH.....	E-21-9	LINER, SWIVEL CASE.....	F-10-13
FRAME ASSY., REMOTE CONTROL.....	F-15-1-10	HOLDER COMP, STARTER CABLE.....	F-7-10-6	LINK, THROTTLE.....	F-2-3
FRAME ASSY., SHIFT.....	FOP-10-7	HOLDER, NEUTRAL LOCK.....	F-15-2-20	LINKAGE, PIVOT.....	F-2-1
FRAME COMP, MOUNTING.....	F-10-6	HOLDER, NEUTRAL LOCK.....	FOP-4-4-14	LOW PERMEATION HOSE L=1600.....	F-6-7
FUSE(70A).....	F-7-13	HOLDER, OIL FILTER.....	E-3-19	LOW PERMEATION HOSE L=700.....	F-6-6
FUSE, MINI(10A).....	F-7-24	HOLDER, PROPELLER SHAFT.....	F-5-12	<M>	
FUSE, MINI(15A).....	F-7-25	HOLDER, SEAL.....	F-2-17	MANIFOLD COMP., INLET.....	E-14-9
FUSE, MINI(30A).....	F-7-26	HOLDER, SHIFT ROD.....	F-4-14	MARK, CHANGE.....	FOP-10-60
<G>		HOLDER, SWITCH.....	FOP-10-20	MARK, EMBLEM.....	F-15-2-47
GASKET B, IMPELLER.....	F-4-5	HOSE COMP, FUEL.....	E-18-8	MARK, EMERGENCY START(ENGLISH).....	F-15-2-16
GASKET B, IMPELLER.....	FOP-3-7	HOSE, PRESSURE REGULATOR.....	E-18-20-42	MARK, EMERGENCY STOP(US).....	F-15-2-44
GASKET COMP., CYLINDER HEAD.....	E-2-8	HOUSING.....	FOP-10-28	MARK, EMERGENCY STOP(US)(LOOSE PARTS).....	F-15-2-45
GASKET, MOUNT CASE.....	E-6-7	HOUSING ASSY., INNER.....	F-15-1-22	MARK, EMERGENCY SWITCH.....	FOP-10-58
GASKET, WATER PUMP.....	F-4-7	HOUSING ASSY., L. INNER.....	FOP-4-3	MARK, FAST IDLE.....	F-15-49
GASKET, WATER PUMP.....	FOP-3-8	HOUSING ASSY., L. INNER.....	FOP-4-2-3	MARK, FAST IDLE.....	F-15-2-43
GAUGE COMP., OIL LEVEL.....	E-6-4	HOUSING ASSY., R. INNER.....	FOP-4-2-4	MARK, FLUSH MOUNT.....	FOP-4-4-19
GEAR ASSY., INTERNAL.....	E-21-24	HOUSING ASSY., R. INNER.....	FOP-4-4-2	MARK, FR. EMBLEM(TOATSU).....	F-12-18
GEAR ASSY., PLANETARY.....	E-21-3	HOUSING ASSY., REMOTE CONTROL.....	F-15-1-7	MARK, HANDLE FLUSH MOUNT.....	FOP-4-4-18
GEAR ASSY., SHIFT.....	F-15-2-23	HOUSING COMP., REMOTE CONTROL.....	F-15-11	MARK, L. SIDE STRIPE.....	F-12-17
GEAR COMP., FR. BEVEL.....	F-5-8	HOUSING COMP., REMOTE CONTROL.....	F-15-12	MARK, R. SIDE STRIPE.....	F-12-6
GEAR, DRIVE.....	F-15-2-24	HOUSING COMP., REMOTE CONTROL.....	FOP-4-13	MARK, REMOTE CONTROL(A)(PANEL).....	F-15-1-31
GEAR, PINION(12T).....	F-4-18	HOUSING COMP., REMOTE CONTROL.....	FOP-4-2-14	MARK, REMOTE CONTROL(B).....	F-15-1-32
GEAR, RR. BEVEL.....	F-5-9	HOUSING, FR.....	F-15-2-12	MARK, REMOTE CONTROL(C).....	F-15-1-32
GEAR, SHIFT.....	FOP-10-44	HOUSING, IMPELLER.....	F-4-2	MARK, REMOTE CONTROL(DUAL).....	FOP-4-2-24
GENERATOR ASSY., A.C.....	E-19-1	HOUSING, IMPELLER.....	FOP-3-4	MARK, REMOTE CONTROL(SINGLE).....	FOP-4-2-1
GRIP.....	F-15-2-5	HOUSING, LEAD.....	FOP-4-14	MARK, RR.(BFT75).....	F-12-2
GRIP ASSY., THROTTLE FRICTION.....	FOP-10-49	HOUSING, LEAD.....	FOP-4-2-15	MARK, RR.(BFT90).....	F-12-3
GRIP, REMOTE CONTROL HANDLE.....	F-15-5	HOUSING, LOWER CENTER MOUNTING.....	F-3-19	MARK, START.....	FOP-10-59
GRIP, REMOTE CONTROL HANDLE.....	F-15-1-4	HOUSING, LOWER MOUNTING.....	F-3-15	MARK, THROTTLE(ENGLISH).....	FOP-10-61
GRIP, REMOTE CONTROL HANDLE.....	FOP-4-6	HOUSING, REMOTE CONTROL BOX(B).....	F-15-1-12	METAL COMP., ANODE.....	F-3-10-11
GRIP, REMOTE CONTROL HANDLE.....	FOP-4-2-7	HOUSING, REMOTE CONTROL BOX(C).....	F-15-13	METAL KIT, ANODE.....	F-10-1
GRIP, SCREW DRIVER.....	F-13-6	HOUSING, REMOTE CONTROL BOX(C).....	F-15-1-14	METAL, ANODE.....	E-2-1
GROMMET.....	F-15-1-15	HOUSING, RR.....	F-15-2-13	METER LEAD WIRE.....	FOP-7-6
GROMMET.....	FOP-10-19	HOUSING, WATER PUMP.....	F-4-6	MOTION COMP., LOST.....	E-2-9
GROMMET.....	FOP-10-36	<I>		MOTOR ASSY., POWER TILT.....	F-11-4
GROMMET, 1WAY.....	E-6-16	IMPELLER, PUMP.....	F-4-1	MOTOR ASSY., STARTER.....	E-21-1
GROMMET, ELECTRONIC PARTS CASE.....	E-15-9	IMPELLER, PUMP.....	FOP-3-3	MOUNT COMP., LOWER RUBBER.....	F-3-16
GROMMET, ELECTRONIC PARTS CASE.....	F-7-20-2	INJECTOR ASSY., FUEL.....	E-14-1	MOUNT COMP., UPPER RUBBER.....	F-10-7
GROMMET, ENGINE COVER.....	F-8-21	INSULATOR.....	E-18-20-29	<N>	
GROMMET, EXTENSION CASE.....	F-4-15	INSULATOR COMP.....	E-18-20-28	NIPPLE, GREASE.....	F-10-56
GROMMET, FUEL HOSE.....	E-18-9	INSULATOR, FUEL PIPE.....	E-14-4	NIPPLE, SENSOR.....	F-3-13
GROMMET, GEAR CASE.....	F-3-10-5	<J>		NIPPLE, SENSOR.....	F-3-45
GROMMET, GEAR CASE.....	F-3-10-7	JOINT A, BREATHER.....	F-3-2	NUT(1/4X20).....	F-15-1-41
GROMMET, POWER TILT SWITCH.....	FOP-10-98	JOINT ASSY (INLET).....	F-6-2	NUT, 5MM.....	F-15-2-59
GROMMET, RELAY.....	F-7-16	JOINT ASSY (OUTLET).....	F-6-3	NUT, 6MM(LOOSE PARTS).....	F-15-2-57
GROMMET, RELAY BRACKET.....	F-7-10-17	JOINT SET.....	E-18-20-7	NUT, ADJUSTER ROD.....	F-10-42
GROMMET, REMOTE CONTROL CABLE.....	F-3-7	JOINT, DRIVE.....	F-11-14	NUT, CASTLE, 18MM.....	F-5-14
GROMMET, SILENCER.....	E-15-8	JOINT, FUEL FEED HOSE.....	E-18-10-1	NUT, CLIP.....	F-8-32
GROMMET, STEERING HANDLE CABLE.....	FOP-10-27	JOINT, FUEL PIPE.....	E-14-6	NUT, FLANGE CAP, 8MM.....	E-3-26
GROMMET, TA SENSOR.....	E-15-14	JOINT, FUEL PIPE.....	E-18-20-37	NUT, FLANGE, 10MM.....	F-10-43
GROMMET, UNDER CASE.....	E-9-10-6	JOINT, FUEL TUBE.....	E-15-5	NUT, FLANGE, 10MM.....	F-10-63
GROMMET, UNDER CASE.....	F-3-6	JOINT, WATER HOSE.....	F-8-3	NUT, FLANGE, 12MM.....	F-3-35
GROMMET, UNDER CASE.....	F-7-30-2	JOINT, WATER MOUTH.....	F-13-17	NUT, FLANGE, 12MM.....	F-10-39
GROMMET, UNDER CASE.....	F-8-8	JOINT, WATER TUBE.....	F-3-30-10	NUT, FLANGE, 5MM.....	FOP-6-3
GROMMET, UNDER CASE(C).....	F-3-8	<K>		NUT, FLANGE, 5MM.....	FOP-6-1-2
GROMMET, VAPOR SEPARATOR.....	E-14-5	KEY, SPECIAL.....	E-7-14	NUT, FLANGE, 6MM.....	E-14-18

NUT, FLANGE, 8MM	E-14-17	O-RING, OIL PUMP	E-5-15	PLATE, SHIFT	F-5-7
NUT, HEX., 12MM	F-10-61	O-RING, PRESSURE REGULATOR	E-18-20-36	PLATE, SHIFT PIVOT	F-2-12
NUT, HEX., 12MM	FOP-10-73	O-RING, PUMP COVER	E-5-14	PLATE, SPEED SENSOR TUBE	F-3-20
NUT, HEX., 12MM	FOP-10-95	O-RING, THERMOSTAT COVER	E-2-17	PLATE, SPRING SETTING	F-15-24
NUT, HEX., 16MM	F-4-22	O-RING, THERMOSTAT COVER	E-3-11	PLATE, STEERING	F-10-23
NUT, HEX., 16MM	F-8-33	O-RING, THERMOSTAT COVER	F-3-30-11	PLATE, SWITCH	F-15-2-36
NUT, HEX., 16MM	F-15-54	O-RING, WATER PUMP	F-4-34	PLATE, TDC PULSER	E-9-3
NUT, HEX., 16MM	F-15-2-58	O-RING, WATER PUMP	FOP-3-13	PLATE, WATER TUBE	E-6-6
NUT, HEX., 16MM	FOP-6-23	<P>		PLATE, WINKER BUZZER	F-15-46
NUT, HEX., 16MM	FOP-6-1-16	PACKING	E-18-20-13	PLATE, WINKER BUZZER	F-15-2-41
NUT, HEX., 16MM	FOP-10-72	PACKING	F-11-43	PLATE, WINKER BUZZER	FOP-6-19
NUT, HEX., 20MM	F-2-28	PACKING, DUAL	FOP-4-2-19	PLATE, WINKER BUZZER	FOP-6-1-12
NUT, HEX., 4MM	FOP-12-8	PACKING, ELECTRONIC AIR	E-14-11	PLUG, INNER CONNECTOR	F-15-36
NUT, HEX., 5MM	F-2-43	PACKING, EX. WATER JACKET	E-2-19	PLUG, INNER CONNECTOR	F-15-2-31
NUT, HEX., 5MM	F-15-78	PACKING, FLASH VALVE	F-3-30-9	PLUG, INNER CONNECTOR	FOP-6-10
NUT, HEX., 5MM	FOP-4-29	PACKING, FUSE BOX COVER	F-7-15	PLUG, INNER CONNECTOR	FOP-6-1-5
NUT, HEX., 5MM	FOP-4-35	PACKING, HEAD COVER	E-1-2	PLUG, INNER CONNECTOR	FOP-10-16
NUT, HEX., 5MM	FOP-4-2-33	PACKING, INTAKE MANIFOLD	E-14-7	PLUG, INNER CONNECTOR	FOP-11-3
NUT, HEX., 5MM	FOP-4-2-34	PACKING, OIL PAN	E-6-2	PLUG, OUTER CONNECTOR	F-15-37
NUT, HEX., 5MM	FOP-4-2-40	PACKING, REGULATOR	E-2-21	PLUG, OUTER CONNECTOR	F-15-2-32
NUT, HEX., 5MM	FOP-10-71	PACKING, SINGLE	FOP-4-18	PLUG, OUTER CONNECTOR	FOP-6-11
NUT, HEX., 6MM	F-15-55	PACKING, THROTTLE BODY	E-14-8	PLUG, OUTER CONNECTOR	FOP-6-1-6
NUT, HEX., 6MM	F-15-77	PAD, THROTTLE FRICTION	FOP-10-50	PLUG, OUTER CONNECTOR	FOP-10-96
NUT, HEX., 6MM	FOP-4-4-25	PANEL ASSY., INDICATOR(4-LED)	FOP-6-17	PLUG, OUTER CONNECTOR	FOP-11-4
NUT, HEX., 6MM	FOP-10-94	PANEL ASSY., SWITCH	FOP-6-5	PLUG, SPARK(ZFR6K-11E)	E-20-3
NUT, LOCK, 64MM	F-4-21	PANEL ASSY., TROLLING CONTROL	FOP-12-6	PLUG, SPARK(ZFR6K-9E)	E-20-3
NUT, SELF-LOCK(25X2.0)	F-10-41	PANEL KIT, SWITCH(4-LED)	FOP-6-1-1	PORT, IDLE EXHAUST	F-8-1
NUT, SELF-LOCK(3/8-24UNF)	F-10-44	PANEL KIT, SWITCH(B)(4-LED)	FOP-6-1	PRIMER BULB	F-6-4
NUT, SELF-LOCK(7/8-14UNF)	F-10-40	PANEL, BACK	F-15-2-14	PRIMER BULB ASSY	F-6-1
NUT, SELF-LOCK, 10MM	F-3-10-24	PANEL, CONTROL	FOP-6-6	PROPELLER COMP., THREE BLADES	FOP-8-1
NUT, SELF-LOCK, 5MM	F-3-10-23	PANEL, CONTROL	FOP-6-7	PROPELLER COMP., THREE BLADES	FOP-8-1
NUT, SELF-LOCK, 6MM	F-3-10-21	PANEL, CONTROL	FOP-6-1-3	PROPELLER COMP., THREE BLADES	FOP-8-1
NUT, SELF-LOCK, 8MM	FOP-10-74	PIN A, DOWEL, 7X12	E-9-29	PROPELLER COMP., THREE BLADES	FOP-8-1
NUT, TAPPET ADJUSTING	E-9-27	PIN, 5X44.5	F-3-39	PROPELLER COMP., THREE BLADES	FOP-8-1
NUT, TAPPET ADJUSTING	E-9-28	PIN, 5X59	F-8-38	PROPELLER COMP., THREE BLADES	FOP-8-1
NUT, WATER MOUTH	F-8-2	PIN, 6X6	F-15-64	PROPELLER COMP., THREE BLADES	FOP-8-1
NUT-WASHER, 8MM	F-7-22	PIN, GEARSHIFT	F-15-1-45	PROPELLER COMP., THREE BLADES	FOP-8-1
NUT-WASHER, 8MM	F-7-10-30	PIN, LINK	F-2-37	PROPELLER COMP., THREE BLADES	FOP-8-1
<O>		PIN, LINK	F-2-39	PROPELLER COMP., THREE BLADES	FOP-8-1
OIL SEAL	F-11-33	PIN, LOCK, 6MM	F-15-63	PROPELLER COMP., THREE BLADES	FOP-8-1
OIL SEAL, 39.5X52X6(ARAI)	F-10-57	PIN, PISTON	E-7-3	PROPELLER COMP., THREE BLADES	FOP-8-1
OIL SEAL, 40X55X7(NOK)	E-9-10-13	PIN, SHIFT LINK	F-2-38	PROPELLER COMP., THREE BLADES	FOP-8-1
OIL SEAL, 80X98X10(ARAI)	E-3-28	PIN, SHIFTER, 8X47	F-5-2	PROPELLER COMP., THREE BLADES	FOP-8-1
O-RING	E-15-12	PIN, SNAP, 6MM	F-2-36	PROPELLER COMP., THREE BLADES	FOP-8-1
O-RING	E-18-10-11	PIN, SPLIT, 2.0	FOP-10-86	PROPELLER COMP., THREE BLADES	FOP-8-1
O-RING	E-18-20-11	PIN, SPLIT, 4.0	F-5-18	PULLER, MINI FUSE(SUMITOMO)	F-13-4
O-RING	E-18-20-12	PIN, SPRING, 2.0X12	F-8-37	PUMP ASSY KIT, FUEL	E-18-1
O-RING	E-18-20-14	PIN, SPRING, 2.5X20	F-10-62	PUMP ASSY	F-11-12
O-RING	E-18-20-15	PIN, THROTTLE CABLE	FOP-10-30	PUMP ASSY., FUEL	E-18-7
O-RING	E-18-20-16	PIN, UPPER CYLINDER	F-11-24	PUMP ASSY., OIL	E-5-1
O-RING	F-4-33	PIPE COMP., OIL LEVEL	F-3-30-1	PUMP KIT, IMPELLER	FOP-3-1
O-RING SET, 3.5X31.7	F-11-41	PIPE, BREATHER	E-15-1	PUMP KIT, IMPELLER	FOP-3-2
O-RING, 1.8X69.6	F-11-35	PIPE, GRIP	FOP-10-51	PUMP UNIT, FUEL	E-18-20-34
O-RING, 1.8X7.7	F-11-37	PIPE, HARNESS GUIDE	F-15-33	PUMP UNIT, FUEL(A)	E-18-20-3
O-RING, 1.9X11	F-11-38	PIPE, OIL	E-3-7	PUMP UNIT, FUEL(B)	E-18-20-8
O-RING, 11.5X3.5	F-3-30-22	PISTON COMP., FREE	F-11-20	<R>	
O-RING, 13X1.5(ARAI)	E-3-32	PISTON(O.25)	E-7-2	RECEIVER, THRUST	F-10-25
O-RING, 15.54X2.26	F-10-58	PISTON(STD.)	E-7-2	RECTIFIER ASSY., REGULATOR	E-2-20
O-RING, 15.54X2.26	FOP-10-91	PIVOT, SHIFT	F-2-13	REGULATOR ASSY., PRESSURE	E-18-20-35
O-RING, 15.5X2.7	E-6-15	PIVOT, SHIFT	F-15-18	RELAY ASSY., MAIN	F-7-10-18
O-RING, 15X1.9	E-2-37	PIVOT, SHIFT SLIDE	F-2-14	RELAY ASSY., POWER TILT	F-7-10-14
O-RING, 15X1.9	E-9-10-14	PIVOT, THROTTLE CABLE	FOP-10-3	RETAINER	F-15-1-13
O-RING, 16MM	F-3-30-21	PLATE	E-18-10-12	RETAINER, VALVE SPRING	E-9-21
O-RING, 18.1X3.6	E-3-29	PLATE ASSY.	F-15-2-2	RETAINER	E-18-20-30
O-RING, 2.0X70.5	F-11-34	PLATE ASSY., LOCK	FOP-10-33	RING SET, PISTON(O.25)	E-7-1
O-RING, 20.6X1.9	FOP-10-90	PLATE COMP., SLIDING	F-15-16	RING SET, PISTON(STD.)	E-7-1
O-RING, 27X2(ARAI)	F-2-41	PLATE COMP., SPLASH	F-10-19	RING, BACK UP	F-11-17
O-RING, 28.3X2.4(NOK)	E-3-33	PLATE COMP., THROTTLE	F-2-4	RING, CROSS PIN	F-5-3
O-RING, 3.5X35.7	F-11-39	PLATE KIT, SPLASH	F-10-2	RING, STOPPER	F-4-13
O-RING, 3.5X38.7	F-11-36	PLATE, BALL GUIDE	FOP-10-45	RING, WATER TUBE SEAL	F-4-9
O-RING, 3.5X41.7	F-11-40	PLATE, CABLE CLAMP	FOP-4-11	RING, WATER TUBE SEAL	FOP-3-9
O-RING, 31.2X2.4	E-18-23	PLATE, CABLE CLAMP	FOP-4-2-12	ROD A COMP., SHIFT(L)	F-4-12
O-RING, 58.5X3.5	F-4-35	PLATE, DWELL	FOP-4-15	ROD A COMP., SHIFT(XL)	F-4-12
O-RING, 59.4X3.1	E-21-23	PLATE, DWELL	FOP-4-2-16	ROD COMP., CONNECTING	E-7-5
O-RING, 6.5X1.5	E-3-30	PLATE, DWELL	FOP-4-4-10	ROD COMP., PISTON	F-11-47
O-RING, 6.9X1.45	F-3-10-30	PLATE, GUIDE	FOP-10-35	ROD COMP., PISTON(B)	F-11-13
O-RING, 7.45X3.61(NOK)	E-14-21	PLATE, HANDLE	FOP-4-10	ROD COMP., SHIFT(L)	F-4-10
O-RING, 7.47X3.6	E-14-20	PLATE, HANDLE	FOP-4-2-11	ROD COMP., THROTTLE	F-2-2
O-RING, 7.8X1.9(ARAI)	E-14-19	PLATE, LEVER SETTING	F-15-9	ROD, ADJUSTING	F-10-17
O-RING, 7.8X1.9(ARAI)	E-18-20-52	PLATE, LOCK	F-2-15	ROD, GROMMET	FOP-10-47
O-RING, 9.5X1.9	E-2-36	PLATE, REMOTE CONTROL	F-15-48	ROD, STEERING	F-10-24
O-RING, 9.5X1.9	E-3-31	PLATE, REMOTE CONTROL CABLE	F-2-5	ROD, STEERING FRICTION	FOP-10-56
O-RING, 94X4.1	F-5-24	PLATE, RUBBER SETTING	F-3-10-1	ROLLER	F-15-2-70

ROLLER	FOP-10-41	SCREW, TAPPING, 6X16	F-15-75	SPRING, CLICK ASSIST.	F-2-10
ROLLER, 3X12.8	F-5-22	SCREW, TAPPING, 6X30	FOP-4-4-24	SPRING, CLICK ASSIST.	F-10-4
ROLLER, 5X17.8	E-5-16	SCREW, TRUSS, 4X12	FOP-4-4-21	SPRING, COIL	FOP-10-40
ROLLER, CLICK	F-15-66	SCREW, WASHER	E-18-20-21	SPRING, COMPRESSION	E-18-20-41
ROLLER, DRIVE GEAR CAM	F-15-2-69	SCREW-WASHER	E-18-20-17	SPRING, DETENT	F-15-2-29
ROLLER, FREE THROTTLE	F-15-2-73	SCREW-WASHER	E-18-20-18	SPRING, EX. VALVE	E-9-20
ROLLER, SHIFT CLICK	F-15-1-47	SCREW-WASHER	E-18-20-20	SPRING, FLUSH VALVE	F-3-30-5
ROPE, RECOIL STARTER	F-13-2	SCREW-WASHER, 3X7	F-7-19	SPRING, GEAR SHIFT	F-15-1-20
ROTOR	E-19-2	SCREW-WASHER, 5X10	F-7-21	SPRING, IN. VALVE	E-9-19
ROTOR COMP.	E-21-5	SEAL A, COVER UNDER	F-3-30-13	SPRING, MOTOR	F-11-8
ROTOR, INNER	E-5-8	SEAL A, VALVE STEM(NOK)	E-2-4	SPRING, NEUTRAL LOCK ARM	FOP-4-4-7
ROTOR, OUTER	E-5-9	SEAL B, COVER UNDER	F-3-25	SPRING, RELIEF VALVE	E-5-5
RUBBER, FENDER MOUNTING	F-8-12	SEAL B, VALVE STEM(NOK)	E-2-6	SPRING, REMOTE CONTROL HANDLE	F-15-8
RUBBER, GRIP	FOP-10-52	SEAL, ENGINE COVER	F-8-14	SPRING, REMOTE CONTROL HANDLE	F-15-1-5
RUBBER, RING	E-2-42	SEAL, RUBBER	F-15-2-19	SPRING, SHIFT	F-5-6
RUBBER, RING	E-3-36	SEAL, UPPER MOUNT COVER	F-10-11	SPRING, SHIFT CLICK	F-15-25
RUBBER, SEAT SIDE	F-8-20	SEAL, WATER	F-11-42	SPRING, SHIFT CLICK	F-15-1-24
RUBBER, TROLLING CONTROL	FOP-12-2	SEAL, WATER CHECK GROMMET	F-8-23	SPRING, SHIFT ROD	F-4-11
RUBBER, UPPER MOUNT STOPPER	F-10-8	SEAL, WATER, 12X21X6	F-4-32	SPROCKET, CAM CHAIN DRIVEN	E-9-2
<S>		SEAL, WATER, 22X35X7	F-3-30-20	SPROCKET, CAM CHAIN(23T)	E-7-11
SCREEN COMP., FUEL STRAINER	E-18-20-40	SEAL, WATER, 23X36X6	F-4-31	STATOR	E-19-3
SCREEN, L. WATER	F-3-10-9	SEAL, WATER, 30X45X7	F-5-23	STAY, FUEL TUBE	E-18-20-33
SCREEN, R. WATER	F-3-10-8	SEAT, VALVE SPRING	E-9-22	STAY, POWER TILT SWITCH	F-8-7
SCREW	FOP-10-15	SEAT, WATER MOUTH	F-8-4	STOPPER	FOP-10-34
SCREW A	F-15-1-33	SENSOR ASSY., AIR TEMP.	E-15-13	STOPPER ASSY., ENGINE SIDE	F-8-11
SCREW B	F-15-1-34	SENSOR ASSY., AIR TEMP.	E-15-13	STOPPER SET, SLEEVE	E-21-8
SCREW C	F-15-1-35	SENSOR ASSY., CRANK	E-9-10-5	STOPPER, LOWER MOUNT	F-3-18
SCREW SET	E-15-2	SENSOR ASSY., MAP	E-15-11	STOPPER, TILT	F-10-22
SCREW SET, DRAIN	E-18-20-6	SENSOR ASSY., TDC	E-2-25	STOPPER, UPPER MOUNT	F-10-9
SCREW(10-32X3/8)	F-15-1-39	SENSOR ASSY., TRIM ANGLE	F-10-5	STRAINER COMP., FUEL	E-18-15
SCREW(10-32X5/8)	F-15-1-40	SENSOR ASSY., WATER	E-2-24	STRAINER COMP., FUEL	E-18-10-9
SCREW(8-32X3/8)	F-15-1-38	SENSOR ASSY., WATER	E-3-16	STRAINER COMP., OIL	E-6-3
SCREW(M5X14)	FOP-10-43	SENSOR COMP., KNOCK	E-3-12	STRAP, HARNESS(30)(BLACK)	F-7-10
SCREW, 4X10	F-15-2-52	SENSOR, OIL PRESSURE	E-3-35	SUB HARNESS ASSY., POWER	FOP-4-19
SCREW, 4X6	F-15-2-50	SENSOR, OXYGEN	E-2-23	SUB HARNESS ASSY., POWER	FOP-4-2-20
SCREW, 5X10	F-15-2-51	SEPARATOR ASSY., VAPOR	E-18-20-31	SUB HARNESS ASSY., POWER	FOP-4-2-21
SCREW, 5X12	F-15-2-53	SEPARATOR ASSY., WATER	E-18-10-2	SUB HARNESS ASSY., POWER	FOP-4-4-16
SCREW, 5X18	F-15-2-49	SEPARATOR, EXTENSION(XL)	F-3-10-2	SUSPENSION, COUPLER	F-7-12
SCREW, 6X90(LOOSE PARTS)	F-15-2-54	SHAFT ASSY., CLUTCH	E-21-13	SUSPENSION, STRAINER	E-18-10-10
SCREW, 6X95	F-15-53	SHAFT ASSY., GEAR	E-21-14	SUSPENSION, WARNING BUZZER	FOP-10-26
SCREW, FLAT, 5X12	F-15-52	SHAFT ASSY., PROPELLER	F-5-10	SWITCH ASSY., COMBINATION	F-15-39
SCREW, FLAT, 5X55	F-3-10-13	SHAFT COMP., ROCKER ARM	E-9-13	SWITCH ASSY., COMBINATION	F-15-2-33
SCREW, FRICTION	F-15-1-36	SHAFT COMP., SHIFT	F-2-18	SWITCH ASSY., COMBINATION	FOP-6-13
SCREW, PAN	E-18-20-19	SHAFT, GEAR SHIFT	F-15-1-19	SWITCH ASSY., COMBINATION	FOP-6-1-7
SCREW, PAN, 4X10	FOP-4-26	SHAFT, HANDLE	F-15-1-17	SWITCH ASSY., COMBINATION	FOP-10-17
SCREW, PAN, 4X10	FOP-4-2-29	SHAFT, OIL PUMP	E-5-3	SWITCH ASSY., EMERGENCY STOP	F-15-42
SCREW, PAN, 5X10	F-15-71	SHAFT, PROPELLER	F-5-11	SWITCH ASSY., EMERGENCY STOP	F-15-1-28
SCREW, PAN, 5X10	FOP-4-23	SHAFT, STEERING FRICTION	FOP-10-57	SWITCH ASSY., EMERGENCY STOP	F-15-2-38
SCREW, PAN, 5X10	FOP-4-2-26	SHAFT, THROTTLE BUTTON	FOP-4-4-9	SWITCH ASSY., EMERGENCY STOP	FOP-6-14
SCREW, PAN, 5X12	E-18-10-8	SHAFT, TILTING	F-10-18	SWITCH ASSY., EMERGENCY STOP	FOP-6-1-8
SCREW, PAN, 5X16	FOP-4-22	SHAFT, VERTICAL(L)	F-4-16	SWITCH ASSY., EMERGENCY STOP	FOP-10-21
SCREW, PAN, 5X16	FOP-4-2-25	SHAFT, VERTICAL(UL)	F-4-16	SWITCH ASSY., MAGNET	E-21-12
SCREW, PAN, 5X16	FOP-4-4-20	SHIFTER, CLUTCH	F-5-1	SWITCH ASSY., NEUTRAL	F-2-19
SCREW, PAN, 5X18	E-15-16	SHIM A, BEVEL(FR.) (0.10)	F-5-17	SWITCH ASSY., POWER TILT	F-8-6
SCREW, PAN, 5X18	FOP-4-25	SHIM A, GEAR(0.10)	F-4-26	SWITCH ASSY., POWER TILT	FOP-10-18
SCREW, PAN, 5X18	FOP-4-2-28	SHIM B, BEVEL(FR.) (0.15)	F-5-17	SWITCH ASSY., POWER TRIM-TILT	F-15-40
SCREW, PAN, 5X20	FOP-4-24	SHIM B, GEAR(0.15)	F-4-26	SWITCH ASSY., POWER TRIM-TILT	F-15-1-30
SCREW, PAN, 5X20	FOP-4-2-27	SHIM C, BEVEL(FR.) (0.30)	F-5-17	SWITCH ASSY., POWER TRIM-TILT	F-15-2-35
SCREW, PAN, 5X30	FOP-4-4-22	SHIM C, GEAR(0.30)	F-4-26	SWITCH ASSY., POWER TRIM-TILT	FOP-4-20
SCREW, PAN, 5X40	FOP-4-28	SHIM D, BEVEL(FR.) (0.50)	F-5-17	SWITCH ASSY., POWER TRIM-TILT	FOP-4-2-22
SCREW, PAN, 5X40	FOP-4-2-31	SHIM D, GEAR(0.50)	F-4-26	SWITCH ASSY., POWER TRIM-TILT	FOP-4-2-23
SCREW, PAN, 5X40	FOP-6-22	SLIDER COMP., CAM CHAIN	E-9-11	SWITCH ASSY., POWER TRIM-TILT	FOP-4-4-17
SCREW, PAN, 5X40	FOP-6-1-15	SLIDER COMP., SHIFT	F-5-4	SWITCH ASSY., TROLLING CONTROL	FOP-12-1
SCREW, PAN, 5X55	FOP-4-2-32	SLIDER, SHIFT	F-5-5	<T>	
SCREW, PAN, 5X65	FOP-4-34	SLINGER, OIL	F-4-17	TAB, TRIM	F-3-10-10
SCREW, PAN, 5X65	FOP-4-2-39	SPACER KIT, REMOTE CONTROL BOX	FOP-4-2	TACHOMETER HOUR METER (BLACK)	FOP-7-4
SCREW, PAN, 5X8	E-21-21	SPACER KIT, REMOTE CONTROL BOX	FOP-4-2-2	TANK, OIL	F-11-25
SCREW, PAN, 6X10	F-15-51	SPACER(1)(LOOSE PARTS)	F-15-2-10	TENSIONER COMP., CAM CHAIN	E-9-10
SCREW, PAN, 6X18	E-2-39	SPACER(2)(LOOSE PARTS)	F-15-2-67	TERMINAL, CABLE	FOP-4-16
SCREW, PAN, 6X18	FOP-4-27	SPACER, CABLE CLAMP	F-15-34	TERMINAL, CABLE	FOP-4-2-17
SCREW, PAN, 6X18	FOP-4-2-30	SPACER, CABLE CLAMP	FOP-4-17	TERMINAL, CABLE	FOP-4-4-12
SCREW, PAN, 6X22	E-21-20	SPACER, CABLE CLAMP	FOP-4-2-18	TERMINAL, CABLE(LOOSE PARTS)	F-15-2-25
SCREW, PAN, 6X35	FOP-4-4-23	SPACER, CABLE CLAMP	FOP-4-4-13	THERMOSTAT ASSY.	E-2-15
SCREW, PAN, 6X8	F-3-32	SPACER, CLICK SPRING	F-15-28	THERMOSTAT ASSY.	E-3-9
SCREW, PAN, 6X8	F-3-33	SPACER, NEUTRAL SWITCH	F-15-31	THROTTLE BODY ASSY.	E-15-3
SCREW, PAN, 6X8	F-11-31	SPACER, REMOTE CONTROL BOX	F-15-27	TIE, CABLE	FOP-11-5
SCREW, RIVET, 5X10	F-3-34	SPANNER, 8X10	F-13-15	TIE, CABLE(NATURAL)(2.4X92)	F-15-38
SCREW, RIVET, 5X10	F-8-29	SPRING COMP., CLICK	F-2-9	TIE, CABLE(NATURAL)(2.4X92)	FOP-6-12
SCREW, TAPPET ADJUSTING	E-9-18	SPRING COMP., CLICK	F-10-3	T-JOINT	E-18-16
SCREW, TAPPING, 5X10	F-15-73	SPRING(1)	F-15-2-27	TRIM METER ASSY (BLACK)	FOP-7-1
SCREW, TAPPING, 5X12	F-15-74	SPRING(2)	F-15-2-8	TRIM-TILT ASSY., POWER	F-11-11
SCREW, TAPPING, 5X25	F-15-76	SPRING, ACCELERATOR WHEEL	F-15-22	TUBE	FOP-10-9
SCREW, TAPPING, 5X8	F-15-72	SPRING, CHOKE RETURN	F-15-26	TUBE A, AIR VENT	E-18-4



TUBE A, BREATHER.....	E-15-21	WASHER, PLAIN, 12MM .....	F-10-52
TUBE A, CHECK VALVE .....	E-18-2	WASHER, PLAIN, 12MM .....	FOP-10-82
TUBE A, WATER .....	E-18-20-43	WASHER, PLAIN, 12MM .....	FOP-10-83
TUBE B, AIR VENT .....	E-18-5	WASHER, PLAIN, 18.5MM .....	F-5-16
TUBE B, BREATHER.....	E-15-22	WASHER, PLAIN, 4MM .....	F-15-56
TUBE B, CHECK VALVE .....	E-18-3	WASHER, PLAIN, 5MM .....	F-15-57
TUBE B, WATER .....	F-3-30-3	WASHER, PLAIN, 5MM .....	F-15-58
TUBE C, AIR VENT .....	E-18-6	WASHER, PLAIN, 5MM .....	FOP-4-31
TUBE C, BREATHER.....	E-15-23	WASHER, PLAIN, 5MM .....	FOP-4-33
TUBE C, FUEL .....	E-18-10-7	WASHER, PLAIN, 5MM .....	FOP-4-2-36
TUBE COMP. A, FUEL .....	E-18-10-5	WASHER, PLAIN, 5MM .....	FOP-4-2-38
TUBE COMP. B, FUEL.....	E-18-10-6	WASHER, PLAIN, 5MM .....	FOP-6-25
TUBE D, FUEL .....	E-18-11	WASHER, PLAIN, 5MM .....	FOP-6-1-18
TUBE E, FUEL .....	E-18-12	WASHER, PLAIN, 6MM .....	E-15-20
TUBE KIT, SPEED SENSOR.....	F-3-1	WASHER, PLAIN, 6MM .....	F-2-31
TUBE(38.1X40).....	FOP-10-8	WASHER, PLAIN, 6MM .....	F-4-24
TUBE, 5X950.....	F-3-44	WASHER, PLAIN, 6MM .....	F-8-34
TUBE, 7X110.....	F-3-30-24	WASHER, PLAIN, 6MM .....	F-15-59
TUBE, CORD, 40MM.....	FOP-10-92	WASHER, PLAIN, 6MM .....	FOP-4-4-27
TUBE, CORRUGATE(28MM).....	F-15-1	WASHER, PLAIN, 8MM .....	F-2-34
TUBE, CORRUGATE(28MM).....	F-15-2-76	WASHER, PLAIN, 8MM .....	F-3-10-26
TUBE, FUEL, 8X300.....	F-8-43	WASHER, PLAIN, 8MM .....	F-7-10-32
TUBE, FUEL,3.5 X 120.....	E-18-20-54	WASHER, PLAIN, 8MM .....	F-15-61
TUBE, OIL.....	E-1-3	WASHER, PLAIN, 8MM .....	FOP-10-75
TUBE, SPEED SENSOR.....	F-3-14	WASHER, PROPELLER THRUST.....	F-5-15
TUBE, SPIRAL .....	F-3-5	WASHER, SEALING, 18MM.....	E-5-6
TUBE, SPIRAL(12X14.6).....	F-11-3	WASHER, SEALING, 24MM.....	E-3-2
TUBE, VINYL, 4X7X190 .....	E-15-25	WASHER, SEALING, 6MM.....	E-18-20-50
TUBE, VINYL, 5X9X240 .....	E-18-20-55	WASHER, SHIFT SHAFT.....	F-2-30
TUBE, WATER CHECK.....	F-3-30-23	WASHER, SIDE, 14MM.....	F-2-29
TUBE, WATER(L) .....	F-4-8	WASHER, SPRING, 4MM.....	FOP-12-9
TUBE, WATER(XL) .....	F-4-8	WASHER, SPRING, 5MM.....	FOP-6-26
<V>		WASHER, SPRING, 5MM.....	FOP-6-1-19
VALVE ASSY., ELECTRONIC AIR .....	E-14-10	WASHER, THRUST.....	E-7-9
VALVE ASSY., RELIEF .....	F-3-30-6	WASHER, THRUST.....	E-9-14
VALVE ASSY., SPOOL .....	E-2-10	WASHER, THRUST, 13MM .....	E-5-13
VALVE COMP., MANUAL.....	F-11-21	WASHER, THRUST, 34MM .....	F-10-47
VALVE COMP., RESERVOIR.....	F-11-22	WASHER, WAVE.....	F-15-2-66
VALVE SET, FLOAT .....	E-18-20-1	WASHER, WAVE, 14MM .....	FOP-10-80
VALVE, CHECK.....	E-18-17	WASHER, WAVE, 26MM .....	F-10-46
VALVE, EX.....	E-9-17	WASHER, WAVE, 40MM .....	F-10-45
VALVE, FLASH .....	F-3-30-7	WATER SEAL, 14X26X6.....	F-2-40
VALVE, IN.....	E-9-16	WHEEL, ACCELERATOR.....	F-15-21
VALVE, RELIEF .....	E-5-4	WHEEL, CONTROL .....	F-15-14
<W>		WHEEL, CONTROL .....	F-15-1-16
WASHER .....	F-15-1-42	WIRE, FASTENER .....	F-3-23
WASHER .....	F-15-1-43	WIRE, FASTENER.....	F-8-16
WASHER(3).....	F-15-2-61	WIRE, LEAD(1.5X116MM).....	F-11-9
WASHER(4).....	F-15-2-62	WIRE, LEAD(1.5X137MM).....	F-3-12
WASHER(5).....	F-15-2-63	WRENCH, BOX(P18X19).....	F-13-13
WASHER(7)(LOOSE PARTS).....	F-15-2-65	WRENCH, PLUG.....	F-13-8
WASHER, 10MM .....	F-10-48	<Y>	
WASHER, 10MM .....	FOP-10-78	YOKE ASSY.....	F-11-7
WASHER, 10MM .....	FOP-10-81	YOKE COMP.....	E-21-4
WASHER, 13MM .....	F-2-33		
WASHER, 14MM .....	F-2-32		
WASHER, 26MM .....	F-3-10-25		
WASHER, 28MM .....	F-15-62		
WASHER, 5MM .....	FOP-10-76		
WASHER, 5MM .....	FOP-10-79		
WASHER, 6MM .....	F-15-60		
WASHER, 8MM .....	F-4-25		
WASHER, 8MM .....	F-15-2-64		
WASHER, 8MM .....	FOP-3-11		
WASHER, 8MM .....	FOP-10-77		
WASHER, DRAIN PLUG, 12MM.....	E-6-13		
WASHER, DRAIN PLUG, 20MM.....	E-2-40		
WASHER, IN. WAVE .....	E-9-15		
WASHER, LOCK, 5MM .....	FOP-4-30		
WASHER, LOCK, 5MM.....	FOP-4-2-35		
WASHER, LOCK, 5MM.....	FOP-4-4-26		
WASHER, LOCK, 6MM .....	FOP-4-32		
WASHER, LOCK, 6MM.....	FOP-4-2-37		
WASHER, PIVOT .....	F-2-8		
WASHER, PLAIN .....	E-18-20-22		
WASHER, PLAIN, 10MM .....	F-3-10-27		
WASHER, PLAIN, 10MM .....	F-3-10-27		
WASHER, PLAIN, 10MM .....	F-10-49		
WASHER, PLAIN, 10MM .....	F-10-53		
WASHER, PLAIN, 12MM .....	F-3-36		
WASHER, PLAIN, 12MM .....	F-4-23		
WASHER, PLAIN, 12MM .....	F-10-50		
WASHER, PLAIN, 12MM .....	F-10-51		

# INDEX (Parts Number)

332-70201-0 . . . . .	F-6-8	HCO-95001-80300-40 . . . . .	F-8-43	HPNA-91307-003 . . . . .	E-2-36	HVF9-89203-003 . . . . .	F-13-15
3C7-70217-0 . . . . .	F-6-5	HCO-95003-07019-31 . . . . .	E-15-25	HPNA-91307-003 . . . . .	E-3-31	HVM0-46391-003 . . . . .	F-2-21
3C7-70220-1 . . . . .	F-6-2	HCO-95003-11024-31 . . . . .	E-18-20-55	HPNA-91333-003 . . . . .	E-2-37	HZB7-90691-003 . . . . .	E-2-35
3C7-70224-1 . . . . .	F-6-3	HCO-95005-50950-30 . . . . .	F-3-44	HPNA-91333-003 . . . . .	E-9-10-14	HZC0-63515-700 . . . . .	F-3-24
3FF-70200-4 . . . . .	F-6-1	HCO-95005-70110-30 . . . . .	F-3-30-24	HPNB-37500-003 . . . . .	E-9-10-5	HZE2-90601-000 . . . . .	E-6-13
3GF-70211-1 . . . . .	F-6-4	HCO-96100-62080-00 . . . . .	F-5-26	HPP4-90009-E01 . . . . .	E-18-20-46	HZH8-28461-013 . . . . .	F-13-1
3GF-70240-1 . . . . .	F-6-7	HCO-96211-07000 . . . . .	F-5-27	HPR3-91319-003 . . . . .	E-3-32	HZV0-90017-C10 . . . . .	E-5-10
3GF-70241-1 . . . . .	F-6-6	HCO-96211-11000 . . . . .	F-5-28	HPT0-90206-004 . . . . .	E-9-28	HZV0-90017-C10 . . . . .	F-2-24
3PU-72537-0 . . . . .	FOP-7-6	HCO-96220-50178 . . . . .	E-5-16	HPWA-11106-300 . . . . .	E-3-1	HZV0-90123-010 . . . . .	E-19-5
3PV-72571-0 . . . . .	FOP-7-1	HCO-96300-06014-09 . . . . .	E-3-34	HPWA-11107-300 . . . . .	E-3-2	HZV0-90604-000 . . . . .	E-18-22
3PV-72637-0 . . . . .	FOP-7-4	HCO-96300-06014-09 . . . . .	E-9-30	HPWA-13111-000 . . . . .	E-7-3	HZV0-90604-000 . . . . .	E-18-10-18
H341-38403-672 . . . . .	F-15-46	HCO-96300-06016-09 . . . . .	E-6-18	HPWA-13204-003 . . . . .	E-7-4	HZV1-24210-010 . . . . .	F-10-3
H341-38403-672 . . . . .	F-15-2-41	HCO-96300-06028-09 . . . . .	E-9-31	HPWA-13211-003 . . . . .	E-7-6	HZV1-90127-010 . . . . .	E-5-11
H341-38403-672 . . . . .	FOP-6-19	HCO-96300-06028-09 . . . . .	E-6-19	HPWA-13212-003 . . . . .	E-7-6	HZV1-90127-010 . . . . .	E-15-18
H341-38403-672 . . . . .	FOP-6-1-12	HCO-96300-08120-09 . . . . .	E-6-20	HPWA-13213-003 . . . . .	E-7-6	HZV1-90506-000 . . . . .	FOP-10-86
H723-90472-000 . . . . .	F-4-23	HCO-9807B-5617C . . . . .	E-20-3	HPWA-13214-003 . . . . .	E-7-6	HZV1-90759-000 . . . . .	FOP-10-86
H750-90628-000 . . . . .	F-3-37	HCO-98200-41000 . . . . .	F-7-24	HPWA-13215-003 . . . . .	E-7-6	HZV3-53104-000 . . . . .	FOP-10-31
H763-90681-A01 . . . . .	F-7-20-3	HCO-98200-41500 . . . . .	F-7-25	HPWA-13216-003 . . . . .	E-7-6	HZV4-16910-015 . . . . .	E-18-15
H763-90681-A01 . . . . .	F-10-55	HCO-98200-43000 . . . . .	F-7-26	HPWA-13217-003 . . . . .	E-7-6	HZV4-24221-010 . . . . .	F-10-4
H800-91303-000 . . . . .	F-3-30-21	HCO-99003-10000 . . . . .	F-13-16	HPWA-13322-003 . . . . .	E-7-8	HZV4-36182-651 . . . . .	F-15-43
H881-19271-811 . . . . .	F-13-17	HCO-99003-50000 . . . . .	F-13-6	HPWA-13323-003 . . . . .	E-7-8	HZV4-36182-651 . . . . .	F-15-2-39
H881-90110-000 . . . . .	F-10-33	HCO-99004-18190 . . . . .	F-13-13	HPWA-13324-003 . . . . .	E-7-8	HZV4-36182-651 . . . . .	FOP-6-15
H921-17936-000 . . . . .	F-2-8	HCO-99008-02000 . . . . .	F-13-14	HPWA-13325-003 . . . . .	E-7-8	HZV4-36182-651 . . . . .	FOP-6-1-9
H921-90302-000 . . . . .	F-8-33	HGET-17357-670 . . . . .	F-3-2	HPWA-13326-003 . . . . .	E-7-8	HZV4-36182-651 . . . . .	FOP-10-22
H921-90302-000 . . . . .	F-15-54	HGET-90429-000 . . . . .	F-2-29	HPWA-13327-003 . . . . .	E-7-8	HZV4-36187-652 . . . . .	F-15-44
H921-90302-000 . . . . .	F-15-2-58	HGHB-16163-600 . . . . .	F-3-30-25	HPWA-13328-003 . . . . .	E-7-8	HZV4-36187-652 . . . . .	FOP-6-16
H921-90302-000 . . . . .	FOP-6-23	HGHB-16163-610 . . . . .	E-18-20-23	HPWA-13342-003 . . . . .	E-7-10	HZV4-36187-652 . . . . .	FOP-6-1-10
H921-90302-000 . . . . .	FOP-6-1-16	HGJ5-80103-000 . . . . .	F-8-21	HPWA-13343-003 . . . . .	E-7-10	HZV4-36187-652 . . . . .	FOP-10-23
H921-90302-000 . . . . .	FOP-10-72	HHA0-32121-003 . . . . .	F-7-10-2	HPWA-13344-003 . . . . .	E-7-10	HZV4-90302-000 . . . . .	F-3-10-23
H921-90504-010 . . . . .	F-15-59	HHP5-91304-601 . . . . .	FOP-10-90	HPWA-13345-003 . . . . .	E-7-10	HZV4-90304-000 . . . . .	F-15-55
H921-90511-000 . . . . .	F-10-49	HHW1-90114-671 . . . . .	E-6-10	HPWA-13346-003 . . . . .	E-7-10	HZV4-90305-000 . . . . .	FOP-10-74
H921-90512-010 . . . . .	F-15-60	HHW1-90118-671 . . . . .	FOP-10-70	HPWA-13347-003 . . . . .	E-7-10	HZV4-90502-000 . . . . .	F-15-58
H921-90514-000 . . . . .	F-4-25	HHW1-90120-671 . . . . .	E-3-25	HPWA-13348-003 . . . . .	E-7-10	HZV4-90502-000 . . . . .	FOP-4-31
H921-90514-000 . . . . .	FOP-3-11	HHW1-90120-671 . . . . .	E-6-11	HPWA-14221-003 . . . . .	E-9-3	HZV4-90502-000 . . . . .	FOP-4-2-36
H921-90518-000 . . . . .	F-2-34	HHW1-90214-671 . . . . .	F-10-37	HPWA-14647-000 . . . . .	E-9-14	HZV4-90507-000 . . . . .	F-3-10-26
H921-90518-000 . . . . .	F-15-61	HHW1-90215-671 . . . . .	F-10-38	HPWA-17105-007 . . . . .	E-14-7	HZV4-90511-000 . . . . .	F-4-24
H952-32901-770 . . . . .	F-15-38	HHW1-90225-670 . . . . .	F-3-10-22	HPWA-90008-003 . . . . .	E-2-26	HZV4-90514-000 . . . . .	F-10-48
H952-32901-770 . . . . .	FOP-6-12	HKF0-91305-003 . . . . .	F-2-41	HPWA-90017-G02 . . . . .	E-19-4	HZV4-90514-000 . . . . .	FOP-10-81
H965-77212-000 . . . . .	F-8-20	HKM3-32161-003 . . . . .	F-3-3	HPWA-91212-003 . . . . .	E-9-10-13	HZV4-90603-000 . . . . .	F-3-30-19
HCO-92101-04020-4J . . . . .	FOP-12-7	HMAL-91302-601 . . . . .	E-3-29	HPWC-14631-010 . . . . .	E-9-13	HZV4-91255-651 . . . . .	F-2-40
HCO-92101-05016-4J . . . . .	F-15-70	HMB0-91359-000 . . . . .	F-4-35	HPWC-14721-010 . . . . .	E-9-17	HZV5-12155-000 . . . . .	E-2-1
HCO-93500-05010-4J . . . . .	F-15-71	HMB6-61102-631 . . . . .	F-8-12	HPWC-30520-S01 . . . . .	E-20-1	HZV5-17202-310 . . . . .	F-3-30-2
HCO-93500-05065-4J . . . . .	FOP-4-34	HMC7-90456-000 . . . . .	E-5-13	HPWC-90006-003 . . . . .	E-9-25	HZV5-17202-310 . . . . .	F-7-10-1
HCO-93500-05065-4J . . . . .	FOP-4-2-39	HMG9-35701-950 . . . . .	F-3-4	HPY3-14647-000 . . . . .	E-9-15	HZV5-17838-000 . . . . .	F-2-1
HCO-93500-06018-4J . . . . .	E-2-39	HMG9-35701-950 . . . . .	F-15-41	HPY3-17439-A01 . . . . .	E-18-10-13	HZV5-24811-010 . . . . .	F-15-3
HCO-93901-250J0 . . . . .	F-15-72	HMG9-91058-681 . . . . .	F-15-65	HPY3-31215-004 . . . . .	E-21-3	HZV5-24812-000 . . . . .	F-15-4
HCO-93901-251J0 . . . . .	F-15-73	HMG9-91058-681 . . . . .	F-15-2-77	HPY3-31218-004 . . . . .	E-21-6	HZV5-24813-000 . . . . .	F-15-5
HCO-93901-252J0 . . . . .	F-15-74	HMJ0-91301-003 . . . . .	E-14-19	HPZ1-12210-004 . . . . .	E-2-4	HZV5-24814-010 . . . . .	F-15-6
HCO-93903-262J0 . . . . .	F-15-75	HMJ0-91301-003 . . . . .	E-18-20-52	HPZ1-12211-004 . . . . .	E-2-6	HZV5-24815-010 . . . . .	F-15-7
HCO-93905-255J0 . . . . .	F-15-76	HMJ0-91308-003 . . . . .	F-4-33	HPZA-14820-013 . . . . .	E-2-9	HZV5-24816-000 . . . . .	F-15-8
HCO-94001-04490-0S . . . . .	FOP-12-8	HMJ6-32660-710 . . . . .	F-7-10-8	HRAA-15815-A02 . . . . .	E-2-11	HZV5-24817-000 . . . . .	F-15-9
HCO-94001-05490-0S . . . . .	F-2-43	HMM4-90105-000 . . . . .	F-15-51	HRB0-14211-003 . . . . .	E-9-2	HZV5-24818-003 . . . . .	F-15-10
HCO-94001-05490-0S . . . . .	FOP-4-35	HMR5-16966-000 . . . . .	E-15-5	HRB0-14711-000 . . . . .	E-9-16	HZV5-24820-010 . . . . .	F-15-11
HCO-94001-05490-0S . . . . .	FOP-4-2-40	HMT8-18334-770 . . . . .	FOP-6-3	HRB1-14401-003 . . . . .	E-9-5	HZV5-24830-010 . . . . .	F-15-12
HCO-94001-06490-0S . . . . .	F-15-77	HMT8-18334-770 . . . . .	FOP-6-1-2	HRB1-14530-004 . . . . .	E-9-12	HZV5-24836-000 . . . . .	F-15-13
HCO-94001-12490-0S . . . . .	F-10-61	HMY5-91005-601 . . . . .	F-5-19	HRE1-37880-Z01 . . . . .	E-15-13	HZV5-24841-000 . . . . .	F-15-14
HCO-94002-05490-0S . . . . .	F-15-78	HP08-14775-000 . . . . .	E-9-22	HRGA-14765-000 . . . . .	E-9-21	HZV5-24845-000 . . . . .	F-15-15
HCO-94002-06490-0S . . . . .	FOP-10-94	HP2A-37881-000 . . . . .	E-15-14	HRGA-30530-004 . . . . .	E-3-12	HZV5-24850-000 . . . . .	F-15-16
HCO-94002-12490-0S . . . . .	FOP-10-95	HP3F-36533-A01 . . . . .	E-18-18	HRGM-14781-A01 . . . . .	E-9-23	HZV5-24854-000 . . . . .	F-15-17
HCO-94103-05400 . . . . .	FOP-6-25	HPC6-15234-000 . . . . .	E-5-6	HRMA-16723-E00 . . . . .	E-18-10-1	HZV5-24855-000 . . . . .	F-15-18
HCO-94103-05400 . . . . .	FOP-6-1-18	HPC6-91310-004 . . . . .	E-6-15	HRNA-37260-A01 . . . . .	E-3-35	HZV5-24860-000 . . . . .	F-15-19
HCO-94109-20000 . . . . .	E-2-40	HPD2-90701-000 . . . . .	E-3-27	HRNA-37830-A01 . . . . .	E-15-11	HZV5-24865-000 . . . . .	F-15-20
HCO-94111-04500 . . . . .	FOP-12-9	HPD6-90430-003 . . . . .	E-18-20-50	HRNA-90031-A01 . . . . .	E-9-26	HZV5-24875-000 . . . . .	F-15-21
HCO-94111-05400 . . . . .	FOP-6-26	HPEO-15231-000 . . . . .	E-5-4	HRTA-15400-004 . . . . .	E-3-5	HZV5-24876-000 . . . . .	F-15-22
HCO-94111-05400 . . . . .	FOP-6-1-19	HPF4-91324-004 . . . . .	E-3-33	H504-38235-003 . . . . .	F-13-4	HZV5-24878-000 . . . . .	F-15-23
HCO-94301-06100 . . . . .	E-6-17	HPG6-15232-000 . . . . .	E-5-5	H50A-91540-003 . . . . .	E-19-6	HZV5-24881-000 . . . . .	F-15-24
HCO-94301-07120 . . . . .	E-9-29	HPG7-16741-005 . . . . .	E-18-20-36	H50A-91541-003 . . . . .	E-2-38	HZV5-24883-000 . . . . .	F-15-25
HCO-94301-14200 . . . . .	E-2-41	HPGK-37835-A01 . . . . .	E-15-12	H50A-91541-003 . . . . .	F-7-8	HZV5-24884-000 . . . . .	F-15-26
HCO-94510-14000 . . . . .	F-5-25	HPH1-90015-013 . . . . .	E-3-19	H5A0-90683-003 . . . . .	F-7-10-33	HZV5-24885-000 . . . . .	F-15-27
HCO-94540-03029 . . . . .	F-15-79	HPH3-16638-500 . . . . .	E-14-4	HSB0-90602-003 . . . . .	F-8-35	HZV5-24887-000 . . . . .	F-15-28
HCO-94540-04029 . . . . .	F-2-44	HPH7-90704-000 . . . . .	E-7-14	HSB2-90153-003 . . . . .	F-7-21	HZV5-24891-000 . . . . .	F-15-29
HCO-94540-04029 . . . . .	F-3-43	HPJ7-12204-305 . . . . .	E-2-2	HSB6-91475-000 . . . . .	F-15-67	HZV5-24892-000 . . . . .	F-15-30
HCO-94540-04029 . . . . .	F-15-80	HPJ7-12205-305 . . . . .	E-2-3	HSC2-90649-003 . . . . .	FOP-6-24	HZV5-24894-000 . . . . .	F-15-31
HCO-94540-06029 . . . . .	F-2-45	HPJ7-91309-010 . . . . .	F-3-30-22	HSC2-90649-003 . . . . .	FOP-6-1-17	HZV5-24895-000 . . . . .	F-15-32
HCO-94540-06029 . . . . .	FOP-4-36	HPLC-37880-004 . . . . .	E-15-13	HSD2-90705-931 . . . . .	F-2-36	HZV5-24897-000 . . . . .	F-15-33
HCO-94540-06029 . . . . .	FOP-4-2-41	HPLC-91301-000 . . . . .	E-14-20	HSE0-53740-953 . . . . .	E-18-10-16	HZV5-24898-000 . . . . .	F-15-34
HCO-94540-06029 . . . . .	FOP-4-4-28	HPM3-14744-000 . . . . .	E-9-18	HSF4-89216-000 . . . . .	F-13-8	HZV5-32823-003 . . . . .	F-15-36
HCO-94540-07029 . . . . .	F-15-81	HPM3-90206-004 . . . . .	E-9-27	HSJ6-91558-003 . . . . .	F-7-10	HZV5-32823-003 . . . . .	F-15-2-31
HCO-94540-10019 . . . . .	F-4-37	HPNA-19526-000 . . . . .	E-18-10-14	HSTK-91540-003 . . . . .	F-2-42	HZV5-32823-003 . . . . .	FOP-6-10
HCO-94540-12029 . . . . .	F-2-46	HPNA-90003-000 . . . . .	E-9-24	HSTK-91540-003 . . . . .	FOP-11-6	HZV5-32823-003 . . . . .	FOP-6-1-5
HCO-94540-15029 . . . . .	F-11-45	HPNA-91214-014 . . . . .	E-3-28	HSW5-91551-003 . . . . .	F-7-9	HZV5-32823-003 . . . . .	FOP-10-16
HCO-95001-35120-40 . . . . .	E-18-20-54	HPNA-91302-003 . . . . .	E-14-21	HSZ5-91531-003 . . . . .	F-7-10-19	HZV5-32823-003 . . . . .	FOP-11-3

HZV5-32824-003. . . . .	F-15-37	HZW1-19234-B00. . . . .	F-4-5	HZW1-87705-003. . . . .	F-15-1-31	HZW4-32543-H01. . . . .	FOP-10-11
HZV5-32824-003. . . . .	F-15-2-32	HZW1-19234-B00. . . . .	FOP-3-7	HZW1-87706-003. . . . .	F-15-1-32	HZW4-32544-H01. . . . .	FOP-10-12
HZV5-32824-003. . . . .	FOP-6-11	HZW1-19242-B00. . . . .	F-4-7	HZW1-87707-003. . . . .	F-15-1-32	HZW4-32547-H01. . . . .	FOP-10-13
HZV5-32824-003. . . . .	FOP-6-1-6	HZW1-19242-B00. . . . .	FOP-3-8	HZW1-90002-010. . . . .	E-7-13	HZW4-32548-H01. . . . .	FOP-10-14
HZV5-32824-003. . . . .	FOP-10-96	HZW1-19252-000. . . . .	E-6-5	HZW1-90014-000. . . . .	E-14-13	HZW4-32549-H01. . . . .	FOP-10-15
HZV5-32824-003. . . . .	FOP-11-4	HZW1-19253-B01. . . . .	F-4-9	HZW1-90014-000. . . . .	E-18-20-47	HZW4-35640-H11. . . . .	FOP-10-18
HZV5-35370-823. . . . .	F-15-40	HZW1-19253-B01. . . . .	FOP-3-9	HZW1-90102-000. . . . .	F-10-28	HZW4-35643-H02. . . . .	FOP-10-19
HZV5-36136-821. . . . .	F-11-8	HZW1-19286-B00. . . . .	F-3-10-1	HZW1-90104-900. . . . .	F-3-10-14	HZW4-35645-H02. . . . .	FOP-10-20
HZV5-36180-033. . . . .	F-15-42	HZW1-24102-B00. . . . .	F-5-2	HZW1-90105-000. . . . .	F-10-30	HZW4-53104-H02. . . . .	FOP-10-32
HZV5-36180-033. . . . .	F-15-2-38	HZW1-24103-B00. . . . .	F-5-3	HZW1-90107-004. . . . .	E-21-20	HZW4-53106-H01. . . . .	FOP-10-34
HZV5-36180-033. . . . .	FOP-6-14	HZW1-24210-010. . . . .	F-2-9	HZW1-90108-000. . . . .	F-10-32	HZW4-53107-H02. . . . .	FOP-10-35
HZV5-36180-033. . . . .	FOP-6-1-8	HZW1-24320-B00. . . . .	F-4-12	HZW1-90113-702. . . . .	F-11-27	HZW4-53109-H02. . . . .	FOP-10-37
HZV5-36180-033. . . . .	FOP-10-21	HZW1-24327-000. . . . .	F-4-13	HZW1-90114-702. . . . .	F-11-28	HZW4-53112-H02. . . . .	FOP-10-38
HZV5-38410-003. . . . .	F-15-47	HZW1-24629-000. . . . .	F-2-17	HZW1-90115-702. . . . .	F-11-29	HZW4-53113-H01. . . . .	FOP-10-39
HZV5-38410-003. . . . .	F-15-2-42	HZW1-24800-V21. . . . .	F-15-1-1	HZW1-90116-702. . . . .	F-11-30	HZW4-53114-H01. . . . .	FOP-10-40
HZV5-38410-003. . . . .	FOP-6-20	HZW1-24811-V21. . . . .	F-15-1-2	HZW1-90124-910. . . . .	F-3-10-18	HZW4-53115-H02. . . . .	FOP-10-98
HZV5-38410-003. . . . .	FOP-6-1-13	HZW1-24812-V21. . . . .	F-15-1-3	HZW1-90125-910. . . . .	F-3-10-19	HZW4-53116-H01. . . . .	FOP-10-41
HZV5-40102-000. . . . .	E-9-10-6	HZW1-24813-V21. . . . .	F-15-1-4	HZW1-90136-003. . . . .	F-15-1-33	HZW4-53116-H11. . . . .	FOP-10-42
HZV5-40102-000. . . . .	F-3-6	HZW1-24816-V21. . . . .	F-15-1-5	HZW1-90137-003. . . . .	F-15-1-34	HZW4-53117-H01. . . . .	FOP-10-43
HZV5-40102-000. . . . .	F-7-30-2	HZW1-24819-V21. . . . .	F-15-1-6	HZW1-90138-003. . . . .	F-15-1-35	HZW4-53118-H03. . . . .	FOP-10-44
HZV5-40102-000. . . . .	F-8-8	HZW1-24820-V21. . . . .	F-15-1-7	HZW1-90139-003. . . . .	F-15-1-36	HZW4-53119-H02. . . . .	FOP-10-45
HZV5-41172-000. . . . .	F-3-13	HZW1-24821-003. . . . .	F-15-1-8	HZW1-90140-003. . . . .	F-15-1-37	HZW4-53121-H02. . . . .	FOP-10-46
HZV5-41172-000. . . . .	F-3-45	HZW1-24822-V21. . . . .	F-15-1-9	HZW1-90142-003. . . . .	F-15-1-38	HZW4-53122-H01. . . . .	FOP-10-47
HZV5-50214-003. . . . .	F-11-10	HZW1-24825-V01. . . . .	F-15-1-10	HZW1-90143-003. . . . .	F-15-1-39	HZW4-53123-H01. . . . .	FOP-10-48
HZV5-50522-000. . . . .	F-10-20	HZW1-24829-003. . . . .	F-15-1-11	HZW1-90145-003. . . . .	F-15-1-40	HZW4-53141-H00. . . . .	FOP-10-51
HZV5-56117-821. . . . .	F-11-17	HZW1-24830-V21. . . . .	F-15-1-12	HZW1-90203-000. . . . .	F-7-22	HZW4-90101-H00. . . . .	FOP-10-62
HZV5-56118-820. . . . .	F-11-18	HZW1-24834-003. . . . .	F-15-1-13	HZW1-90203-000. . . . .	F-7-10-30	HZW4-90102-H01. . . . .	FOP-10-63
HZV5-56513-000. . . . .	F-11-23	HZW1-24836-V21. . . . .	F-15-1-14	HZW1-90242-000. . . . .	F-4-21	HZW4-90103-H02. . . . .	FOP-10-65
HZV5-90100-000. . . . .	F-4-19	HZW1-24839-V01. . . . .	F-15-1-15	HZW1-90301-B00. . . . .	F-5-14	HZW4-90104-H01. . . . .	FOP-10-67
HZV5-90010-000. . . . .	FOP-3-10	HZW1-24841-V01. . . . .	F-15-1-16	HZW1-90303-B03. . . . .	F-4-22	HZW4-90105-H02. . . . .	FOP-10-68
HZV5-90115-000. . . . .	F-3-10-15	HZW1-24843-V01. . . . .	F-15-1-17	HZW1-90304-013. . . . .	F-10-41	HZW4-90106-H01. . . . .	FOP-10-69
HZV5-90119-000. . . . .	F-3-32	HZW1-24845-V01. . . . .	F-15-1-18	HZW1-90314-003. . . . .	F-15-1-41	HZW4-90108-000. . . . .	F-15-52
HZV5-90119-000. . . . .	F-3-33	HZW1-24847-V01. . . . .	F-15-1-19	HZW1-90401-000. . . . .	FOP-10-75	HZW4-90126-000. . . . .	E-14-16
HZV5-90119-000. . . . .	F-11-31	HZW1-24848-V01. . . . .	F-15-1-20	HZW1-90501-710. . . . .	F-3-10-25	HZW4-90145-000. . . . .	E-9-10-12
HZV5-90125-000. . . . .	F-15-53	HZW1-24865-V01. . . . .	F-15-1-21	HZW1-90506-B00. . . . .	F-5-15	HZW4-90147-000. . . . .	E-2-34
HZV5-90127-003. . . . .	F-3-34	HZW1-24870-V21. . . . .	F-15-1-22	HZW1-90508-B00. . . . .	F-5-16	HZW4-90151-000. . . . .	F-10-35
HZV5-90127-003. . . . .	F-8-29	HZW1-24873-V01. . . . .	F-15-1-23	HZW1-90518-B00. . . . .	F-4-26	HZW4-90155-000. . . . .	E-5-12
HZV5-90131-000. . . . .	E-6-12	HZW1-24883-V01. . . . .	F-15-1-24	HZW1-90519-B00. . . . .	F-4-26	HZW4-90159-000. . . . .	E-21-22
HZV5-90302-003. . . . .	F-2-28	HZW1-31217-004. . . . .	E-21-5	HZW1-90520-B00. . . . .	F-4-26	HZW4-90168-000. . . . .	F-8-31
HZV5-90304-013. . . . .	F-10-40	HZW1-31250-004. . . . .	E-21-17	HZW1-90521-B00. . . . .	F-4-26	HZW4-90169-000. . . . .	E-15-19
HZV5-90306-003. . . . .	F-3-10-24	HZW1-31261-004. . . . .	E-21-18	HZW1-90528-B00. . . . .	F-5-17	HZW4-90301-H01. . . . .	FOP-10-71
HZV5-90307-003. . . . .	F-10-44	HZW1-35180-003. . . . .	F-15-1-28	HZW1-90529-B00. . . . .	F-5-17	HZW4-90303-H00. . . . .	FOP-10-73
HZV5-90501-000. . . . .	F-10-45	HZW1-35182-003. . . . .	F-15-1-29	HZW1-90530-B00. . . . .	F-5-17	HZW4-90306-003. . . . .	F-10-43
HZV5-90502-000. . . . .	F-10-46	HZW1-35370-V01. . . . .	F-15-1-30	HZW1-90531-B00. . . . .	F-5-17	HZW4-90306-003. . . . .	F-10-63
HZV5-90504-000. . . . .	F-10-47	HZW1-36122-013. . . . .	F-11-5	HZW1-90551-003. . . . .	F-15-1-42	HZW4-90401-000. . . . .	F-15-56
HZV5-90552-000. . . . .	F-10-50	HZW1-36123-013. . . . .	F-11-6	HZW1-90552-003. . . . .	F-15-1-43	HZW4-90402-000. . . . .	F-15-57
HZV5-90552-000. . . . .	FOP-10-82	HZW1-38551-000. . . . .	F-7-16	HZW1-90559-000. . . . .	F-3-36	HZW4-90501-H01. . . . .	FOP-10-76
HZV5-90557-000. . . . .	F-15-62	HZW1-40107-700. . . . .	F-3-8	HZW1-90651-710. . . . .	F-3-10-28	HZW4-90502-H02. . . . .	FOP-10-77
HZV5-90559-000. . . . .	F-10-51	HZW1-40204-000. . . . .	F-4-15	HZW1-90652-702. . . . .	F-11-32	HZW4-90503-H01. . . . .	FOP-10-78
HZV5-90559-000. . . . .	F-10-52	HZW1-40210-710. . . . .	F-3-10-3	HZW1-90653-003. . . . .	F-15-1-44	HZW4-90504-H01. . . . .	FOP-10-79
HZV5-90559-000. . . . .	FOP-10-83	HZW1-41102-B00. . . . .	F-3-10-5	HZW1-90752-B02. . . . .	F-4-27	HZW4-90651-000. . . . .	F-10-54
HZV5-90563-000. . . . .	F-3-10-27	HZW1-41109-B00. . . . .	F-3-10-11	HZW1-90752-B02. . . . .	FOP-3-12	HZW4-90651-H01. . . . .	FOP-10-84
HZV5-90563-000. . . . .	F-3-10-27	HZW1-41112-B03. . . . .	F-4-16	HZW1-90753-003. . . . .	F-15-1-45	HZW4-90652-H01. . . . .	FOP-10-85
HZV5-90563-000. . . . .	F-10-53	HZW1-41112-B33. . . . .	F-4-16	HZW1-90758-B00. . . . .	F-5-18	HZW4-91051-H02. . . . .	FOP-10-88
HZV5-90751-000. . . . .	F-15-63	HZW1-41116-B00. . . . .	F-4-17	HZW1-90953-003. . . . .	F-15-1-46	HZW4-91052-H01. . . . .	FOP-10-89
HZV5-90756-000. . . . .	E-6-14	HZW1-41131-B01. . . . .	F-4-18	HZW1-91051-B02. . . . .	F-5-20	HZW4-91301-003. . . . .	F-3-10-30
HZV5-90756-000. . . . .	F-3-40	HZW1-41201-B02ZD. . . . .	F-5-12	HZW1-91052-B02. . . . .	F-4-29	HZW4-91552-H00. . . . .	FOP-10-93
HZV5-90756-000. . . . .	F-3-10-29	HZW1-50161-020ZC. . . . .	F-3-19	HZW1-91054-B31. . . . .	F-4-30	HZW5-06241-U00. . . . .	FOP-4-2
HZV5-90756-000. . . . .	F-3-10-29	HZW1-50214-000. . . . .	F-10-14	HZW1-91101-003. . . . .	F-5-22	HZW5-06241-U10. . . . .	FOP-4-2-2
HZV5-90756-000. . . . .	F-4-28	HZW1-50527-000. . . . .	F-10-21	HZW1-91207-013. . . . .	F-11-34	HZW5-06900-U00. . . . .	FOP-9-1
HZV5-90772-000. . . . .	F-15-64	HZW1-50529-000. . . . .	F-10-22	HZW1-91302-000. . . . .	E-5-14	HZW5-16081-010. . . . .	E-18-20-17
HZV5-91151-000. . . . .	F-15-66	HZW1-53234-010. . . . .	F-10-23	HZW1-91351-B02. . . . .	F-5-24	HZW5-16735-003. . . . .	E-18-20-34
HZV5-91203-821. . . . .	F-11-33	HZW1-53236-700. . . . .	FOP-10-55	HZW1-91352-702. . . . .	F-11-37	HZW5-24810-U01. . . . .	FOP-4-3
HZV5-91256-003. . . . .	F-10-57	HZW1-53238-010. . . . .	F-10-24	HZW1-91353-703. . . . .	F-11-38	HZW5-24810-U01. . . . .	FOP-4-2-3
HZV5-91302-821. . . . .	F-11-35	HZW1-53238-700. . . . .	FOP-10-56	HZW1-91354-701. . . . .	F-11-39	HZW5-24810-U11. . . . .	FOP-4-2-4
HZV5-91316-821. . . . .	F-11-36	HZW1-53239-701. . . . .	FOP-10-57	HZW1-91355-701. . . . .	F-11-40	HZW5-24811-U01. . . . .	FOP-4-4
HZV5-91352-000. . . . .	F-10-58	HZW1-56110-701. . . . .	F-11-13	HZW1-91356-B00. . . . .	F-4-34	HZW5-24811-U01. . . . .	FOP-4-2-5
HZV5-91352-000. . . . .	FOP-10-91	HZW1-56113-701. . . . .	F-11-14	HZW1-91356-B00. . . . .	FOP-3-13	HZW5-24812-U01. . . . .	FOP-4-5
HZV5-91553-010. . . . .	E-15-24	HZW1-56116-701. . . . .	F-11-16	HZW1-91357-701. . . . .	F-11-41	HZW5-24812-U01. . . . .	FOP-4-2-6
HZV5-91553-010. . . . .	F-3-41	HZW1-56130-702. . . . .	F-11-20	HZW1-91358-701. . . . .	F-11-42	HZW5-24813-U01. . . . .	FOP-4-6
HZV5-91553-010. . . . .	F-7-23	HZW1-56180-701. . . . .	F-11-22	HZW1-91361-701. . . . .	F-11-43	HZW5-24813-U01. . . . .	FOP-4-2-7
HZV5-91553-010. . . . .	F-7-10-35	HZW1-56516-000. . . . .	F-10-25	HZW1-91553-003. . . . .	F-15-1-47	HZW5-24813-U21. . . . .	FOP-4-2-8
HZV5-91553-010. . . . .	F-7-20-4	HZW1-56532-000. . . . .	F-11-24	HZW1-91554-000. . . . .	E-14-22	HZW5-24814-U01. . . . .	FOP-4-7
HZV5-91553-010. . . . .	F-7-30-3	HZW1-56539-000. . . . .	F-10-26	HZW1-91554-000. . . . .	E-18-20-53	HZW5-24814-U01. . . . .	FOP-4-2-9
HZV5-91553-010. . . . .	F-8-40	HZW1-56851-703. . . . .	F-11-25	HZW1-91557-701. . . . .	F-11-44	HZW5-24815-U01. . . . .	FOP-4-8
HZV5-91560-000. . . . .	F-10-60	HZW1-56860-701. . . . .	F-11-26	HZW2-90003-000. . . . .	E-15-15	HZW5-24815-U01. . . . .	FOP-4-9
HZV5-91567-000. . . . .	F-15-68	HZW1-58130-V03. . . . .	FOP-8-1	HZW2-90003-000. . . . .	E-20-10-10	HZW5-24816-U01. . . . .	FOP-4-2-10
HZV5-91570-000. . . . .	F-15-69	HZW1-58130-V13. . . . .	FOP-8-1	HZW2-90003-000. . . . .	F-7-17	HZW5-24816-U01. . . . .	FOP-4-4-8
HZV7-90951-010. . . . .	F-10-56	HZW1-58130-W03ZA. . . . .	FOP-8-1	HZW2-90003-000. . . . .	F-7-10-42	HZW5-24817-U01. . . . .	FOP-4-10
HZW1-06411-020. . . . .	F-10-1	HZW1-58130-W13ZA. . . . .	FOP-8-1	HZW2-90003-000. . . . .	F-8-24	HZW5-24817-U01. . . . .	FOP-4-2-11
HZW1-12217-010. . . . .	E-2-7	HZW1-58130-W24ZA. . . . .	FOP-8-1	HZW2-90301-F00. . . . .	E-14-18	HZW5-24818-U01. . . . .	FOP-4-11
HZW1-15236-010. . . . .	E-5-7	HZW1-58130-W33ZA. . . . .	FOP-8-1	HZW4-17931-H02. . . . .	FOP-10-4	HZW5-24818-U01. . . . .	FOP-4-2-12
HZW1-15331-000. . . . .	E-5-8	HZW1-58130-W43ZB. . . . .	FOP-8-1	HZW4-19312-H00. . . . .	F-3-30-10	HZW5-24819-U01. . . . .	FOP-4-12
HZW1-15341-000. . . . .	E-5-9	HZW1-58130-W642A. . . . .	FOP-8-1	HZW4-24614-H03. . . . .	FOP-10-6	HZW5-24819-U01. . . . .	FOP-4-2-13
HZW1-17736-000. . . . .	F-15-1	HZW1-58130-W93. . . . .	FOP-8-1	HZW4-24615-H03. . . . .	FOP-10-7	HZW5-24825-U01. . . . .	FOP-4-14
HZW1-17736-000. . . . .	F-15-2-76	HZW1-87538-740. . . . .	F-12-15	HZW4-32533-H01. . . . .	FOP-10-8	HZW5-24825-U01. . . . .	FOP-4-2-15

HZW5-24826-U01	...	FOP-4-15	HZW7-90301-U01	...	FOP-4-4-25	HZY3-90017-000	...	E-9-10-9	HZY9-13210-010	...	E-7-5
HZW5-24826-U01	...	FOP-4-2-16	HZW7-90502-U00	...	FOP-4-4-27	HZY3-90017-000	...	F-2-25	HZY9-13310-010	...	E-7-7
HZW5-24826-U01	...	FOP-4-4-10	HZW9-17917-000	...	FOP-10-3	HZY3-90021-000	...	E-18-20-49	HZY9-13331-003	...	E-7-9
HZW5-24831-U01	...	FOP-4-16	HZW9-19279-000	...	F-3-30-5	HZY3-90021-000	...	F-7-10-25	HZY9-13621-H01	...	E-7-11
HZW5-24831-U01	...	FOP-4-2-17	HZW9-19291-000	...	F-3-30-7	HZY3-90026-000	...	E-3-21	HZY9-14110-000	...	E-9-1
HZW5-24831-U01	...	FOP-4-4-12	HZW9-19297-000	...	F-3-30-9	HZY3-90030-000	...	E-1-4	HZY9-14222-000	...	E-9-4
HZW5-24832-U01	...	FOP-4-17	HZW9-19300-003	...	E-3-9	HZY3-90030-000	...	E-2-32	HZY9-14430-000	...	E-9-7
HZW5-24832-U01	...	FOP-4-2-18	HZW9-19303-003	...	E-2-42	HZY3-90030-000	...	E-3-22	HZY9-14441-000	...	E-9-8
HZW5-24832-U01	...	FOP-4-4-13	HZW9-19303-003	...	E-3-36	HZY3-90030-000	...	E-9-10-11	HZY9-14442-000	...	E-9-9
HZW5-24834-U01	...	FOP-4-18	HZW9-19315-000	...	E-2-16	HZY3-90030-000	...	F-3-30-14	HZY9-14510-003	...	E-9-10
HZW5-24834-U21	...	FOP-4-2-19	HZW9-19317-000	...	E-2-17	HZY3-90031-000	...	E-3-23	HZY9-14512-000	...	E-9-11
HZW5-32167-650	...	F-15-1-27	HZW9-19317-000	...	E-3-11	HZY3-90042-000	...	E-14-14	HZY9-14751-H01	...	E-9-19
HZW5-32168-003	...	E-18-20-45	HZW9-19317-000	...	F-3-30-11	HZY3-90043-000	...	F-3-30-15	HZY9-14752-003	...	E-9-20
HZW5-35370-U02	...	FOP-4-20	HZW9-28462-003	...	F-13-2	HZY3-90046-000	...	E-6-8	HZY9-15100-000	...	E-5-1
HZW5-35370-U02	...	FOP-4-2-22	HZW9-53103-000	...	FOP-10-30	HZY3-90054-000	...	E-3-24	HZY9-15121-000	...	E-5-2
HZW5-35370-U12	...	FOP-4-2-23	HZW9-53130-000	...	FOP-10-49	HZY3-90054-000	...	E-14-15	HZY9-15136-000	...	E-5-3
HZW5-50341-010	...	F-10-17	HZW9-53133-000	...	FOP-10-50	HZY3-90056-000	...	F-2-27	HZY9-15171-000	...	E-15-1
HZW5-90018-000	...	E-2-30	HZW9-53165-000	...	FOP-10-52	HZY3-90056-000	...	F-3-30-16	HZY9-15220-000	...	E-6-3
HZW5-90018-000	...	F-7-10-24	HZW9-87511-000	...	FOP-10-60	HZY3-90103-000	...	FOP-10-66	HZY9-15422-010	...	E-1-3
HZW5-90021-U00	...	FOP-9-2	HZW9-87532-640	...	FOP-10-61	HZY3-90107-000	...	F-7-10-28	HZY9-15600-000	...	E-3-6
HZW5-90023-000	...	F-2-26	HZW9-87702-800	...	F-15-49	HZY3-90111-000	...	F-8-27	HZY9-15612-000	...	E-3-7
HZW5-90101-U00	...	FOP-4-22	HZW9-90003-000	...	E-18-19	HZY3-90120-000	...	F-3-10-16	HZY9-15631-000	...	E-3-8
HZW5-90101-U00	...	FOP-4-2-25	HZW9-90008-000	...	F-15-50	HZY3-90132-000	...	F-8-30	HZY9-15655-000	...	E-6-4
HZW5-90101-U00	...	FOP-4-4-20	HZW9-90009-000	...	F-10-27	HZY3-90133-000	...	F-3-10-20	HZY9-15665-000	...	F-3-30-1
HZW5-90102-U00	...	FOP-4-23	HZW9-90011-000	...	E-9-10-7	HZY3-90205-000	...	E-14-17	HZY9-15815-000	...	E-2-12
HZW5-90102-U00	...	FOP-4-2-26	HZW9-90011-000	...	E-18-20	HZY3-90405-000	...	F-7-10-32	HZY9-16013-000	...	E-18-20-2
HZW5-90103-U01	...	FOP-4-24	HZW9-90011-000	...	E-18-10-17	HZY3-90508-000	...	E-15-20	HZY9-16017-040	...	E-18-20-3
HZW5-90103-U01	...	FOP-4-2-27	HZW9-90011-000	...	F-2-23	HZY3-90508-000	...	F-2-31	HZY9-16019-003	...	E-18-20-4
HZW5-90104-U00	...	FOP-4-25	HZW9-90011-000	...	F-7-4	HZY3-90508-000	...	F-8-34	HZY9-16020-013	...	E-18-20-5
HZW5-90104-U00	...	FOP-4-2-28	HZW9-90011-000	...	F-7-18	HZY3-90601-030	...	F-3-30-18	HZY9-16042-013	...	E-18-20-9
HZW5-90105-003	...	F-7-19	HZW9-90011-000	...	F-7-10-21	HZY3-90751-000	...	F-2-37	HZY9-16061-003	...	E-18-20-10
HZW5-90105-U01	...	FOP-4-26	HZW9-90013-000	...	F-7-5	HZY3-91254-003	...	F-4-32	HZY9-16071-003	...	E-18-20-11
HZW5-90105-U01	...	FOP-4-2-29	HZW9-90013-000	...	F-7-10-22	HZY3-91303-000	...	E-21-23	HZY9-16072-003	...	E-18-20-13
HZW5-90106-000	...	F-7-20	HZW9-90014-000	...	F-7-6	HZY3-91556-000	...	F-3-10-31	HZY9-16073-003	...	E-18-20-15
HZW5-90106-U00	...	FOP-4-27	HZW9-90016-000	...	E-3-20	HZY6-16016-003	...	E-15-2	HZY9-16081-003	...	E-18-20-18
HZW5-90106-U00	...	FOP-4-2-30	HZW9-90016-000	...	E-18-21	HZY6-16036-003	...	E-18-20-8	HZY9-16082-003	...	E-18-20-20
HZW5-90107-U00	...	FOP-4-28	HZW9-90016-000	...	E-18-20-48	HZY6-16718-013	...	E-18-20-28	HZY9-16195-000	...	E-18-2
HZW5-90107-U00	...	FOP-4-2-31	HZW9-90016-000	...	E-20-2	HZY6-16723-003	...	E-18-20-30	HZY9-16196-000	...	E-18-3
HZW5-90108-U00	...	FOP-4-2-32	HZW9-90019-000	...	E-2-31	HZY6-17109-000	...	E-14-8	HZY9-16197-000	...	E-18-4
HZW5-90109-000	...	FOP-6-22	HZW9-90101-003	...	F-3-10-12	HZY6-17845-000	...	F-2-3	HZY9-16198-000	...	E-18-5
HZW5-90109-000	...	FOP-6-1-15	HZW9-90102-000	...	E-6-9	HZY6-17931-000	...	F-2-7	HZY9-16199-000	...	E-18-6
HZW5-90301-U00	...	FOP-4-29	HZW9-90102-000	...	F-4-20	HZY6-19269-000	...	E-18-16	HZY9-16400-H01	...	E-15-3
HZW5-90301-U00	...	FOP-4-2-33	HZW9-90102-000	...	FOP-10-64	HZY6-19289-000	...	F-8-5	HZY9-16450-003	...	E-14-1
HZW5-90302-003	...	F-3-35	HZW9-90103-010	...	F-3-28	HZY6-19290-003	...	F-3-30-6	HZY9-16451-000	...	E-14-2
HZW5-90302-003	...	F-10-39	HZW9-90105-000	...	F-3-30-17	HZY6-19300-003	...	E-2-15	HZY9-16620-010	...	E-14-3
HZW5-90302-U21	...	FOP-4-2-34	HZW9-90105-000	...	F-10-31	HZY6-31235-003	...	E-21-10	HZY9-16700-013	...	E-18-7
HZW5-90304-000	...	F-10-42	HZW9-90154-000	...	F-10-36	HZY6-31236-003	...	E-21-11	HZY9-16701-003	...	E-18-20-25
HZW5-90501-000	...	F-2-30	HZW9-91303-000	...	E-18-23	HZY6-36104-003	...	F-3-5	HZY9-16708-003	...	E-18-20-26
HZW5-90501-U00	...	FOP-4-30	HZY1-90205-000	...	F-3-10-21	HZY6-36135-003	...	E-18-17	HZY9-16715-013	...	E-18-20-27
HZW5-90501-U00	...	FOP-4-2-35	HZY1-90650-003	...	FOP-11-5	HZY6-36551-003	...	E-14-11	HZY9-16717-000	...	E-2-13
HZW5-90501-U00	...	FOP-4-4-26	HZY3-16011-A01	...	E-18-20-1	HZY6-40219-023	...	F-3-12	HZY9-16721-003	...	E-18-20-29
HZW5-90502-U00	...	FOP-4-32	HZY3-16024-000	...	E-18-20-6	HZY6-50209-000	...	F-3-20	HZY9-16730-063	...	E-18-20-31
HZW5-90502-U00	...	FOP-4-2-37	HZY3-16026-000	...	E-18-20-7	HZY6-56118-000	...	F-3-21	HZY9-16733-000	...	E-14-5
HZW5-90503-U00	...	FOP-4-33	HZY3-16072-000	...	E-18-20-12	HZY6-90002-000	...	F-3-26	HZY9-16733-000	...	E-18-20-32
HZW5-90503-U00	...	FOP-4-2-38	HZY3-16073-000	...	E-18-20-14	HZY6-90006-000	...	E-15-16	HZY9-16734-010	...	E-18-20-33
HZW5-90511-U00	...	FOP-9-3	HZY3-16077-000	...	E-18-20-16	HZY6-90013-000	...	E-21-19	HZY9-16740-003	...	E-18-20-35
HZW5-90512-U00	...	FOP-9-4	HZY3-16082-000	...	E-18-20-19	HZY6-90023-000	...	E-9-10-10	HZY9-16755-003	...	E-18-8
HZW5-90601-030	...	E-18-20-51	HZY3-16083-000	...	E-18-20-21	HZY6-90047-000	...	E-2-33	HZY9-16756-000	...	E-18-9
HZW5-90606-030	...	E-1-5	HZY3-16087-000	...	E-18-20-22	HZY6-90105-000	...	F-3-30	HZY9-16800-003	...	E-18-10-2
HZW5-91054-003	...	F-5-21	HZY3-16193-A00	...	E-18-20-24	HZY6-90123-000	...	F-3-10-17	HZY9-16805-003	...	E-18-10-3
HZW5-91202-003	...	F-3-30-20	HZY3-16752-000	...	E-18-20-37	HZY6-90123-000	...	F-5-13	HZY9-16816-000	...	E-18-10
HZW6-87124-U80	...	FOP-10-58	HZY3-16752-A00	...	E-14-6	HZY6-90301-000	...	F-8-32	HZY9-16850-E01	...	E-18-10-5
HZW6-90752-000	...	F-10-62	HZY3-16807-003	...	E-18-10-4	HZY6-90651-000	...	F-8-36	HZY9-16860-F00	...	E-18-10-6
HZW7-24810-U01	...	FOP-4-4-2	HZY3-16904-003	...	E-18-10-8	HZY6-90752-000	...	F-2-38	HZY9-16871-F00	...	E-18-10-7
HZW7-24811-U01	...	FOP-4-4-3	HZY3-16911-010	...	E-18-20-40	HZY6-90753-000	...	F-2-39	HZY9-16881-010	...	E-18-11
HZW7-24812-U01	...	FOP-4-4-4	HZY3-16915-010	...	E-18-10-10	HZY6-91305-003	...	E-3-30	HZY9-16891-000	...	E-18-12
HZW7-24813-U01	...	FOP-4-4-5	HZY3-16918-003	...	E-18-10-11	HZY6-91552-000	...	F-4-36	HZY9-16895-003	...	E-18-13
HZW7-24814-U01	...	FOP-4-4-6	HZY3-16919-003	...	E-18-10-12	HZY6-91552-000	...	FOP-3-14	HZY9-16896-003	...	E-2-14
HZW7-24815-U01	...	FOP-4-4-7	HZY3-19270-000	...	F-8-2	HZY6-91553-000	...	F-8-41	HZY9-16896-003	...	E-15-4
HZW7-24817-U01	...	FOP-4-4-9	HZY3-19271-000	...	F-8-3	HZY9-06167-000	...	E-18-1	HZY9-16896-003	...	E-18-14
HZW7-24832-U01	...	FOP-4-4-14	HZY3-19272-000	...	F-8-4	HZY9-06192-H00	...	FOP-3-1	HZY9-16896-003	...	E-18-20-38
HZW7-24833-U01	...	FOP-4-4-15	HZY3-24318-000	...	F-4-11	HZY9-06193-H00	...	FOP-3-2	HZY9-16898-003	...	E-18-20-39
HZW7-32530-U00	...	FOP-4-19	HZY3-24618-000	...	F-2-13	HZY9-06411-010	...	F-3-1	HZY9-16910-004	...	E-18-10-9
HZW7-32530-U00	...	FOP-4-2-20	HZY3-24619-000	...	F-2-15	HZY9-06534-000	...	F-10-2	HZY9-16913-003	...	E-18-20-41
HZW7-32530-U10	...	FOP-4-2-21	HZY3-30280-003	...	F-11-1	HZY9-11320-010ZA	...	E-6-1	HZY9-17110-003	...	E-14-9
HZW7-32530-U20	...	FOP-4-4-16	HZY3-31106-003	...	F-11-2	HZY9-11381-003	...	E-6-2	HZY9-17315-000	...	E-15-6
HZW7-35370-U02	...	FOP-4-4-17	HZY3-32128-000	...	E-15-10	HZY9-11411-405ZA	...	E-9-10-1	HZY9-17371-000	...	E-15-7
HZW7-58130-U02	...	FOP-8-1	HZY3-32411-003	...	F-7-10-5	HZY9-11911-000	...	E-3-3	HZY9-17371-H00	...	E-15-7
HZW7-58130-U12	...	FOP-8-1	HZY3-35673-003	...	E-2-24	HZY9-12000-406ZA	...	E-3-4	HZY9-17374-000	...	E-15-8
HZW7-58130-U22	...	FOP-8-1	HZY3-35673-003	...	E-3-16	HZY9-12210-H00ZA	...	E-2-5	HZY9-17723-F00	...	E-18-20-42
HZW7-58130-U32	...	FOP-8-1	HZY3-38216-003	...	F-7-10-10	HZY9-12512-013	...	E-2-8	HZY9-17840-000	...	F-2-2
HZW7-87703-U00	...	FOP-4-4-19	HZY3-40119-003	...	F-3-9	HZY9-12310-010	...	E-1-1	HZY9-17860-000	...	F-2-4
HZW7-90101-U01	...	FOP-4-4-21	HZY3-40219-013	...	F-11-9	HZY9-12312-000	...	E-1-2	HZY9-17877-000	...	F-2-5
HZW7-90102-U01	...	FOP-4-4-22	HZY3-63205-000	...	F-2-22	HZY9-13010-H00	...	E-7-1	HZY9-17878-000	...	F-2-6
HZW7-90103-U01	...	FOP-4-4-23	HZY3-90016-000	...	E-9-10-8	HZY9-13011-010	...	E-7-1	HZY9-17910-701	...	FOP-10-2
HZW7-90104-U01	...	FOP-4-4-24	HZY3-90017-000	...	E-2-29	HZY9-13101-H00	...	E-7-2	HZY9-18211-000	...	F-8-1

HZY9-19210-H01	....F-4-1	HZY9-38552-000	....F-7-10-16	HZY9-91405-000	....E-15-23	HZZ5-24817-D01	....F-15-2-9
HZY9-19210-H01	....FOP-3-3	HZY9-38553-003	....F-7-10-17	HZY9-91451-A00	....FOP-10-9-2	HZZ5-24818-D01	....F-15-2-10
HZY9-19221-H00	....F-4-2	HZY9-38580-003	....F-7-10-18	HZY9-91552-000	....F-8-39	HZZ5-24819-D01	....F-15-2-11
HZY9-19221-H00	....FOP-3-4	HZY9-40105-000	....F-3-7	HZY9-91553-000	....F-3-42	HZZ5-24821-D01	....F-15-2-12
HZY9-19223-H00	....F-4-3	HZY9-40105-A00	....FOP-10-27	HZY9-91554-000	....F-8-42	HZZ5-24822-D01	....F-15-2-13
HZY9-19223-H00	....FOP-3-5	HZY9-40151-000ZD	....F-8-9	HZY9-91555-000	....F-7-10-36	HZZ5-24823-D01	....F-15-2-14
HZY9-19231-H00	....F-4-4	HZY9-40154-000ZC	....F-3-10	HZY9-91557-000	....F-10-59	HZZ5-24824-D01	....F-15-2-15
HZY9-19231-H00	....FOP-3-6	HZY9-40155-010	....F-8-10	HZY9-91601-000	....E-6-16	HZZ5-24826-D01	....F-15-2-16
HZY9-19251-000	....F-4-8	HZY9-40165-010	....F-8-11	HZZ0-06533-R00ZA	....FOP-10-1	HZZ5-24827-D01	....F-15-2-17
HZY9-19251-610	....F-4-8	HZY9-40201-020ZC	....F-3-11	HZZ0-13102-000	....E-7-2	HZZ5-24828-D01	....F-15-2-18
HZY9-19254-000	....E-6-6	HZY9-40202-H50ZB	....F-3-10-2	HZZ0-14110-000	....E-9-1	HZZ5-24828-D01	....F-15-2-75
HZY9-19255-000	....E-18-20-43	HZY9-41100-H00ZB	....F-3-20-1	HZZ0-14420-000	....E-9-6	HZZ5-24829-D01	....F-15-2-19
HZY9-19256-000	....F-3-30-3	HZY9-41100-H50ZB	....F-3-20-1	HZZ0-15810-003ZA	....E-2-10	HZZ5-24831-D01	....F-15-2-20
HZY9-19277-000	....F-3-30-4	HZY9-41101-H00ZB	....F-3-10-4	HZZ0-19241-000	....F-4-6	HZZ5-24832-D01	....F-15-2-21
HZY9-19295-000	....F-3-30-8	HZY9-41151-H00	....F-5-9	HZZ0-24101-010	....F-5-1	HZZ5-24833-D01	....F-15-2-22
HZY9-19315-H00	....E-3-10	HZY9-41173-000	....F-3-14	HZZ0-24113-000	....F-5-4	HZZ5-24845-D01	....F-15-2-23
HZY9-19361-010	....E-2-18	HZY9-50100-020	....F-10-6	HZZ0-24122-000	....F-5-5	HZZ5-24850-D01	....F-15-2-24
HZY9-19371-000	....E-2-19	HZY9-50111-000ZC	....F-3-15	HZZ0-24123-000	....F-5-6	HZZ5-24855-D01	....F-15-2-25
HZY9-23170-010ZA	....F-3-30-12	HZY9-50153-000	....F-10-8	HZZ0-24124-000	....F-5-7	HZZ5-24875-D01	....F-15-2-26
HZY9-23172-003	....E-6-7	HZY9-50156-000	....F-3-17	HZZ0-24310-000	....F-4-10	HZZ5-24876-D01	....F-15-2-27
HZY9-24221-000	....F-2-10	HZY9-50157-000	....F-3-18	HZZ0-32100-H00	....F-7-1	HZZ5-24878-D01	....F-15-2-28
HZY9-24320-610	....F-4-12	HZY9-50158-000	....F-10-9	HZZ0-34750-H01	....E-20-10-9	HZZ5-24883-D01	....F-15-2-29
HZY9-24343-H00	....F-4-14	HZY9-50166-010	....F-10-10	HZZ0-41102-000	....F-3-10-6	HZZ5-32185-600	....FOP-6-4
HZY9-24590-701	....FOP-10-5	HZY9-50168-000	....F-10-11	HZZ0-41103-000	....F-3-10-7	HZZ5-32185-700	....FOP-6-4
HZY9-24612-000	....F-2-11	HZY9-50201-H00ZB	....F-10-12	HZZ0-41104-010	....F-3-10-8	HZZ5-32185-800	....FOP-6-4
HZY9-24614-000	....F-2-12	HZY9-50301-020ZC	....F-10-15	HZZ0-41105-010	....F-3-10-9	HZZ5-32530-000	....F-15-35
HZY9-24618-000	....F-2-14	HZY9-50311-020ZC	....F-10-16	HZZ0-41107-000ZD	....F-3-10-10	HZZ5-32530-D01	....F-15-2-30
HZY9-24628-000	....F-2-16	HZY9-50381-000	....F-10-18	HZZ0-41140-010	....F-5-8	HZZ5-32545-000	....FOP-6-8
HZY9-24630-000	....F-2-18	HZY9-50412-000	....F-10-19	HZZ0-41160-010	....F-5-10	HZZ5-32545-000	....FOP-6-1-4
HZY9-30416-H00	....F-7-20-1	HZY9-53101-A02ZD	....FOP-10-28	HZZ0-41161-000	....F-5-11	HZZ5-32580-600	....FOP-6-9
HZY9-30419-003	....E-15-9	HZY9-53102-A02	....FOP-10-29	HZZ0-50151-000	....F-10-7	HZZ5-32580-700	....FOP-6-9
HZY9-30419-003	....F-7-20-2	HZY9-53105-A01	....FOP-10-33	HZZ0-50155-000	....F-3-16	HZZ5-32580-800	....FOP-6-9
HZY9-31110-000ZB	....E-7-12	HZY9-53108-A00	....FOP-10-36	HZZ0-58130-D81ZB	....FOP-8-1	HZZ5-32580-D01	....FOP-6-9
HZY9-31145-000	....F-7-30-1	HZY9-53232-A00	....FOP-10-53	HZZ0-58130-D91ZB	....FOP-8-1	HZZ5-32580-D11	....FOP-6-9
HZY9-31200-H01	....E-21-1	HZY9-53233-A00ZD	....FOP-10-54	HZZ0-87121-R00	....F-12-3	HZZ5-32580-D21	....FOP-6-9
HZY9-31207-H01	....E-21-2	HZY9-56000-013	....F-11-11	HZZ0-87125-R00	....FOP-10-59	HZZ5-35370-D02	....F-15-2-35
HZY9-31216-003	....E-21-4	HZY9-56100-013	....F-11-12	HZZ0-90101-000	....F-3-10-13	HZZ5-35701-D01	....F-15-2-37
HZY9-31226-H01	....E-21-20	HZY9-56115-003	....F-11-46	HZZ3-06240-R30	....FOP-4-1	HZZ5-37210-013	....F-15-45
HZY9-31227-H01	....E-21-7	HZY9-56120-003	....F-11-47	HZZ3-06240-R40	....FOP-4-4-1	HZZ5-37210-712	....FOP-6-1-11
HZY9-31229-H01	....E-21-8	HZY9-56170-003	....F-11-21	HZZ3-06240-R60	....FOP-4-2-1	HZZ5-37210-762	....FOP-6-18
HZY9-31231-H01	....E-21-9	HZY9-58130-H01ZB	....FOP-8-1	HZZ3-06323-R20	....FOP-6-1	HZZ5-37210-D01	....F-15-2-40
HZY9-31240-003	....E-21-12	HZY9-63100-020ZC	....F-8-13	HZZ3-06323-R30	....FOP-6-1-1	HZZ5-38414-003	....FOP-6-21
HZY9-31242-H01	....E-21-13	HZY9-63102-000	....F-8-14	HZZ3-06328-763	....FOP-11-1	HZZ5-38414-003	....FOP-6-1-14
HZY9-31246-H01	....E-21-14	HZY9-63232-010	....F-3-22	HZZ3-24800-P12	....F-15-2-1	HZZ5-50211-000	....F-10-13
HZY9-31251-H01	....E-21-24	HZY9-63232-010	....F-8-15	HZZ3-24800-R00	....F-15-2	HZZ5-87701-D00	....F-15-2-43
HZY9-31630-H01	....E-19-1	HZY9-63237-000	....F-3-23	HZZ3-24820-R11	....FOP-4-13	HZZ5-87702-A00	....F-15-2-44
HZY9-31631-H01	....E-19-2	HZY9-63237-000	....F-8-16	HZZ3-24820-R21	....FOP-4-2-14	HZZ5-87702-A00	....F-15-2-45
HZY9-31632-003	....E-19-3	HZY9-63347-010ZC	....F-8-17	HZZ3-24830-R41	....FOP-4-4-11	HZZ5-87703-P00	....F-15-2-47
HZY9-31750-003	....E-2-20	HZY9-63711-010ZC	....F-8-18	HZZ3-32127-000	....F-7-12	HZZ5-87704-D01	....F-15-2-48
HZY9-31754-000	....E-2-21	HZY9-63716-010ZC	....F-8-19	HZZ3-32186-000	....FOP-11-2	HZZ5-90101-D01	....F-15-2-49
HZY9-31916-H01	....E-20-3	HZY9-63718-000	....F-3-30-13	HZZ3-32341-R31	....FOP-6-5	HZZ5-90102-D01	....F-15-2-50
HZY9-32100-H00	....F-7-1	HZY9-63719-000	....F-3-25	HZZ3-32346-R21	....FOP-6-6	HZZ5-90103-D01	....F-15-2-51
HZY9-32101-000	....F-7-2	HZY9-82873-000	....F-8-22	HZZ3-32346-R31	....FOP-6-1-3	HZZ5-90104-D01	....F-15-2-52
HZY9-32103-000	....F-7-3	HZY9-82874-000	....F-8-23	HZZ3-32347-R01	....FOP-6-7	HZZ5-90106-D01	....F-15-2-53
HZY9-32104-H00	....F-7-11	HZY9-87117-000	....F-12-1	HZZ3-35100-R01	....FOP-10-17	HZZ5-90107-D01	....F-15-2-54
HZY9-32111-000	....E-9-10-2	HZY9-87121-R00	....F-12-2	HZZ3-35100-R11	....F-15-39	HZZ5-90108-D01	....F-15-2-55
HZY9-32112-000	....E-18-10-15	HZY9-87132-R00	....F-12-6	HZZ3-35100-R11	....F-15-2-33	HZZ5-90109-D01	....F-15-2-56
HZY9-32113-000	....E-9-10-3	HZY9-87133-R00	....F-12-17	HZZ3-35100-R11	....FOP-6-13	HZZ5-90301-D01	....F-15-2-57
HZY9-32114-000	....E-2-22	HZY9-87531-000	....F-12-13	HZZ3-35100-R11	....FOP-6-1-7	HZZ5-90302-D01	....F-15-2-59
HZY9-32115-000	....E-9-10-4	HZY9-87546-000	....F-12-16	HZZ3-35340-741	....FOP-12-1	HZZ5-90501-D01	....F-15-2-60
HZY9-32166-013	....E-18-20-44	HZY9-90003-000	....E-14-12	HZZ3-35341-740	....FOP-12-2	HZZ5-90502-D01	....F-15-2-61
HZY9-32410-000	....F-7-10-4	HZY9-90008-003	....E-3-17	HZZ3-35342-740	....FOP-12-3	HZZ5-90503-D01	....F-15-2-62
HZY9-32418-000	....F-7-10-6	HZY9-90011-000	....E-2-27	HZZ3-35343-740	....FOP-12-4	HZZ5-90504-D01	....F-15-2-63
HZY9-32534-A01	....FOP-10-9	HZY9-90011-H00	....E-20-10-11	HZZ3-35344-740	....FOP-12-5	HZZ5-90506-D01	....F-15-2-64
HZY9-32538-A01	....FOP-10-10	HZY9-90016-000	....E-2-28	HZZ3-35345-741	....FOP-12-6	HZZ5-90507-D01	....F-15-2-65
HZY9-34750-H01	....E-20-10-9	HZY9-90017-000	....E-15-17	HZZ3-35645-A41	....F-15-2-36	HZZ5-90508-D01	....F-15-2-66
HZY9-34754-H00	....E-20-10-4	HZY9-90102-000	....F-3-27	HZZ3-37205-R01	....FOP-6-17	HZZ5-90509-D01	....F-15-2-67
HZY9-35470-023	....F-2-19	HZY9-90102-000	....F-10-29	HZZ3-87301-R00	....F-12-18	HZZ5-90651-D01	....F-15-2-68
HZY9-35475-010	....F-2-20	HZY9-90103-000	....F-8-25	HZZ3-87701-R00	....F-15-48	HZZ5-91151-D01	....F-15-2-69
HZY9-35640-003	....F-8-6	HZY9-90104-000	....F-3-29	HZZ3-87701-R40	....FOP-4-4-18	HZZ5-91152-D01	....F-15-2-70
HZY9-35645-000	....F-8-7	HZY9-90105-000	....F-3-31	HZZ3-87703-R01	....FOP-4-2-24	HZZ5-91153-D01	....F-15-2-71
HZY9-35655-H01	....E-2-23	HZY9-90106-000	....F-8-26	HZZ3-87703-R81	....FOP-4-21	HZZ5-91154-D01	....F-15-2-72
HZY9-35660-003	....F-10-5	HZY9-90113-003	....F-8-28	HZZ3-90129-000	....F-10-34	HZZ5-91156-D01	....F-15-2-73
HZY9-35695-003	....E-2-25	HZY9-90201-000	....E-3-26	HZZ3-90651-003	....F-3-38	HZZ5-91157-D01	....F-15-2-74
HZY9-36104-003	....F-11-3	HZY9-90508-000	....F-2-32	HZZ3-91252-003	....F-5-23		
HZY9-36120-003	....F-11-4	HZY9-90509-000	....F-2-33	HZZ3-91253-003	....F-4-31		
HZY9-36129-003	....F-11-7	HZY9-90651-000	....F-2-35	HZZ5-06325-600	....FOP-6-2		
HZY9-36550-003	....E-14-10	HZY9-90652-003	....F-7-7	HZZ5-06325-700	....FOP-6-2		
HZY9-37210-A02	....FOP-10-24	HZY9-90751-000	....F-8-37	HZZ5-06325-800	....FOP-6-2		
HZY9-38201-003	....F-7-13	HZY9-90754-000	....F-3-39	HZZ5-24810-D01	....F-15-2-2		
HZY9-38216-003	....F-7-14	HZY9-90755-000	....F-8-38	HZZ5-24811-D01	....F-15-2-3		
HZY9-38217-000	....F-7-10-12	HZY9-90951-A01	....FOP-10-87	HZZ5-24812-D01	....F-15-2-4		
HZY9-38233-000	....F-7-15	HZY9-91304-000	....E-5-15	HZZ5-24813-D01	....F-15-2-5		
HZY9-38400-A00	....FOP-10-25	HZY9-91402-000	....F-3-30-23	HZZ5-24814-D01	....F-15-2-6		
HZY9-38402-A00	....FOP-10-26	HZY9-91403-000	....E-15-21	HZZ5-24815-D01	....F-15-2-7		
HZY9-38550-003	....F-7-10-14	HZY9-91404-000	....E-15-22	HZZ5-24816-D01	....F-15-2-8		

## Note

## Note

## Note







**TOHATSU CORPORATION**

**Address : 5-4,3-chome,Azusawa,Itabashi-ku,  
TOKYO,174-0051 JAPAN**

**Phone : TOKYO (03)3966-3117**

**FAX : TOKYO (03)3966-0090**

**Website : [www.tohatsu.co.jp](http://www.tohatsu.co.jp)**

**2017  
PARTS CATALOG**

**BFT 75A  
BFT 90A**