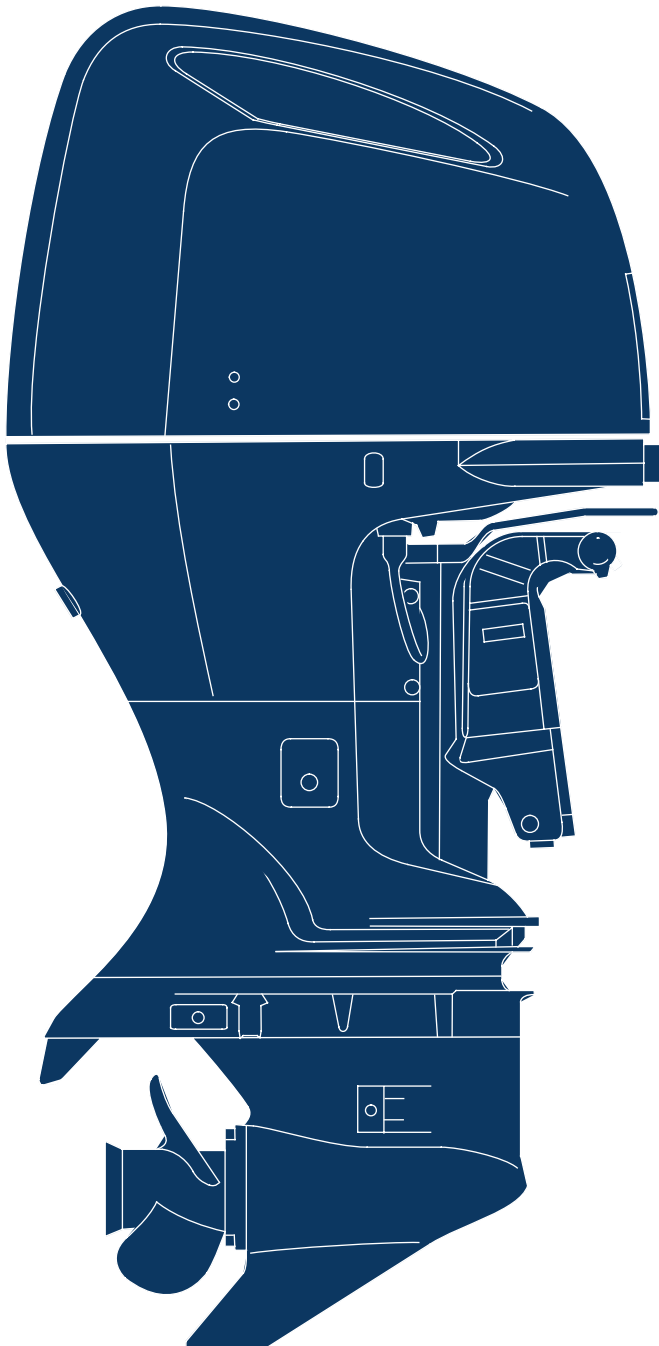


2017 PARTS CATALOG



TOHATSU



BFT 250A

**OB NO.002-14ZX2-0AG
1610US**

Instruction for use of parts catalogue

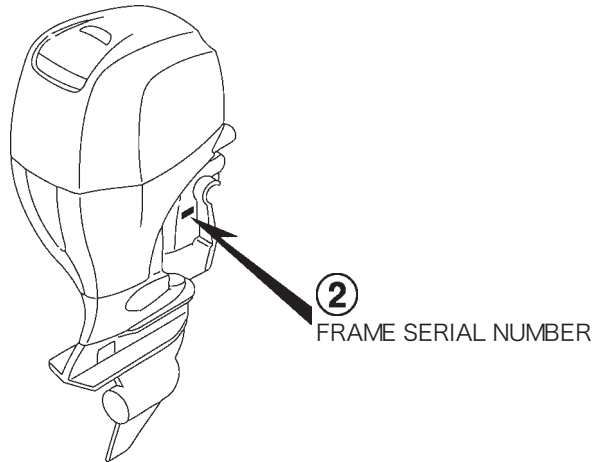
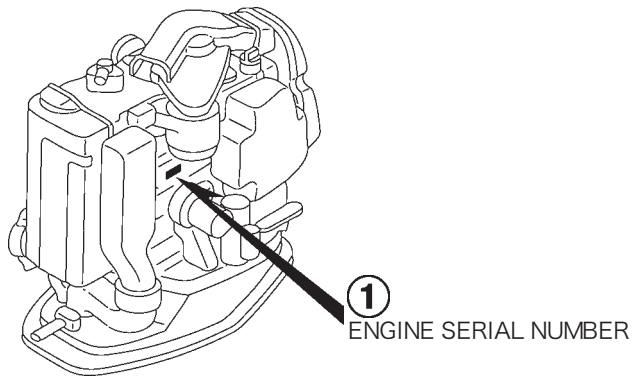
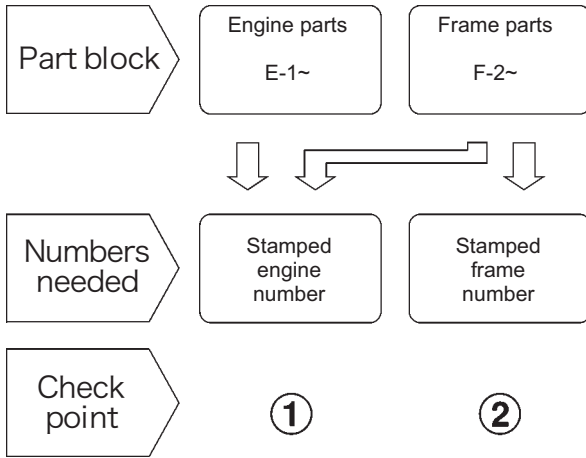
- **This parts catalogue was prepared based on the latest information available as of October 1, 2016.**
- See the Service Bulletin for any revision that is made after October 1, 2016.
- **Always specify the part number when ordering a part.**
 - Check the model, type, serial numbers, color, maker, and the size as needed before ordering a part.
 - Note that the illustrations (part drawings) can differ from the actual parts in shape.
Illustrations are given just to help you to refer to the parts.
- **When modifications or additions to this parts catalogue are made, a revised edition will be issued at an appropriate time, with successively progressing revision numbers on the cover. We recommend obtaining such revisions in order to keep your parts catalogue up-to-date at all times.**

Initial version issue date October 1, 2016

CONTENTS

E-1	CYLINDER HEAD COVER	1
E-3	CYLINDER BLOCK	3
E-3-10	CRANKCASE	7
E-4	EXHAUST MANIFOLD/THERMOSTAT	9
E-5	OIL PUMP/FLYWHEEL	11
E-6	OIL PAN	13
E-6-10	MOUNT CASE	15
E-6-20	MOUNT CASE BOLT	19
E-7	CRANKSHAFT/PISTON	21
E-9	CYLINDER HEAD	25
E-9-10	CAMSHAFT/ROCKER ARM	27
E-13	TIMING BELT	29
E-13-10	TIMING BELT COVER	33
E-14	FUEL PIPE/INJECTOR	35
E-14-10	INTAKE MANIFOLD	39
E-15	THROTTLE BODY	41
E-18	VAPOR SEPARATOR ASSY	43
E-18-1	WATER SEPARATOR/FUEL STRAINER	47
E-18-10	PIPING	51
E-19	A.C.GENERATOR	53
E-20	SPARK PLUG	55
E-20-10	ELECTRONIC CONTROL UNIT	57
E-21	STARTER MOTOR	59
F-2	SHIFT SHAFT	63
F-3	GEAR CASE	67
F-3-10	GEAR CASE ASSY	69
F-3-20	EXTENSION CASE	71
F-4	WATER PUMP/VERTICAL SHAFT	77
F-5	PROPELLER SHAFT	81
F-5-1	PROPELLER SHAFT (COUNTER ROTATION)	85
F-6	FUEL TUBE	89
F-7	WIRE HARNESS	91
F-7-10	STARTER CABLE	93
F-7-20	FUSE BOX/RELAY	95
F-8	ENGINE COVER	97
F-8-10	FR.COVER BRACKET/FR.LOCK SHAFT	99
F-8-20	FUEL TUBE (2)	103
F-10	STERN BRACKET/SWIVEL CASE	105
F-11	POWER TRIM-TILT	111
F-12	LABEL	115
F-13	TOOL	117
FOP-1	REMOTE CONTROL (TOP MOUNT SINGLE TYPE) (RIGHT)	119
FOP-1-2	REMOTE CONTROL (TOP MOUNT DUAL TYPE) (RIGHT)	123
FOP-1-4	REMOTE CONTROL (FLUSH MOUNT DUAL TYPE) (RIGHT)	127
FOP-1-6	REMOTE CONTROL (HI-LEX) (HANDLE CAP = GRAY)	129
FOP-1-7	REMOTE CONTROL (NHK MEC) (HANDLE CAP = CHROME)	135
FOP-3	METER	141
FOP-5	BOLT KIT	143
FOP-6	SWITCH PANEL KIT	145
FOP-7	CONTROL PANEL (1)	147
FOP-7-1	CONTROL PANEL (2)	149
FOP-8	PROPELLER	151
FOP-9	TRIM ADJUST PLATE SET	153
FOP-10	INTERFACE CABLE KIT	155
FOP-12	GEAR CASE KIT	157
FOP-13	PANEL INTERFACE CABLE SET	159
INDEX		161
INDEX (Parts Number)		167

How to check the part block and serial numbers



Models, parts catalogue codes and applicable serial numbers

- Models, parts catalogue codes and applicable serial Nos. given in this parts catalogue can be identified as follows.

Model	Type	Parts catalogue type	Engine		Applicable engine serial No.	Applicable frame serial No.
			Model	Type		
BFT 250A	LA	LA	BF 250A	SE1	BEBJJ-1000001~	BBJJ-6000001~
	XA	XA				
	XCA	XCA				BBJJ-7000001~
	XXA	XXA				BBJJ-6000001~
	XXCA	XXCA				BBJJ-7000001~

Features of each type

- See the following table for the features of each type. (Items in brackets are optional)

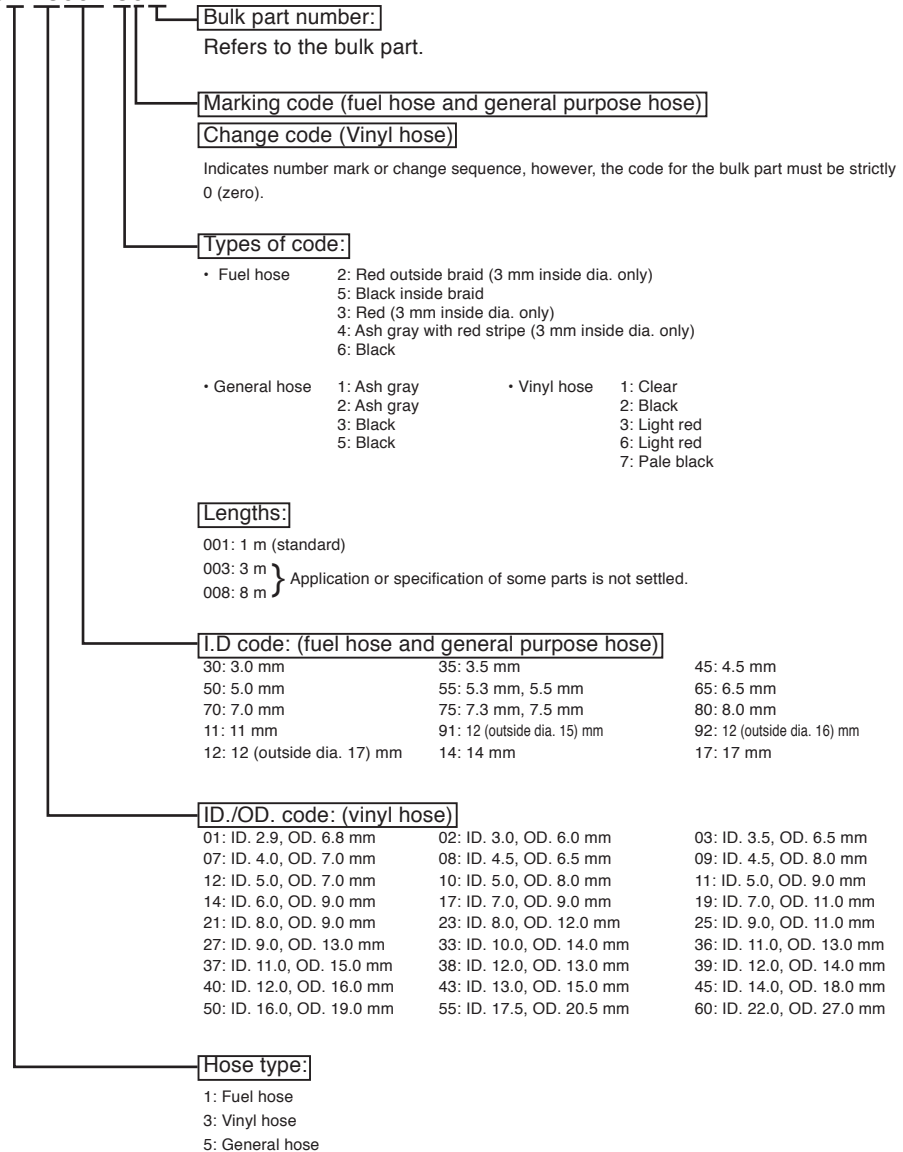
Specifications		Model	BFT 250A				
		Type	LA	XA	XCA	XXA	XXCA
Transom height	508 mm	●					
	635 mm		●	●			
	762 mm				●	●	
Gear case cover				●		●	
Trim tab		●	●		●		
Counter rotation				●		●	

Fuel hose, general purpose hoses and vinyl hose

- The standard part fuel hose, general purpose hose and vinyl hose may be substituted by the coiled bulk part.
- When ordering the standard part fuel hose, general purpose hose and vinyl hose use the bulk part number written in the parts catalog in brackets () underneath the part name.
- When exchanging the hose, cut and use at the specified length as mentioned in the part name. (For the method of cutting the bulk part, and method of filling out orders etc., please refer to the instructions issued with the bulk part.)

Bulk part number of fuel hose, general purpose hose and vinyl hose.

Example: 95001-75001-50M

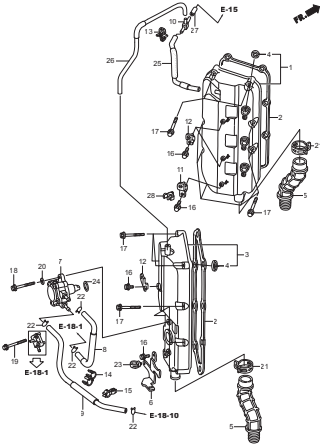


CAUTION: It is DANGEROUS to confuse the fuel hose with the general purpose hose or vinyl hose.

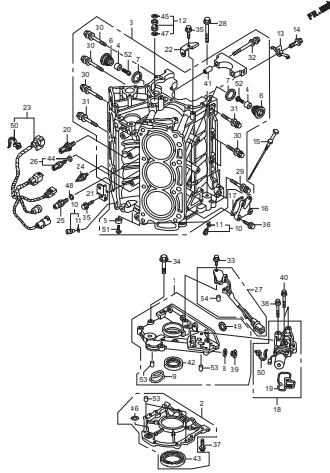
Never use a general purpose hose or vinyl hose in place of a fuel hose or vice versa.

Always use the correct bulk part in the parts catalogue, according to the service manual or the instructions issued with the bulk part.

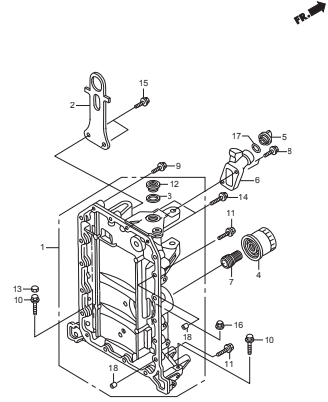
E-1 CYLINDER HEAD COVER



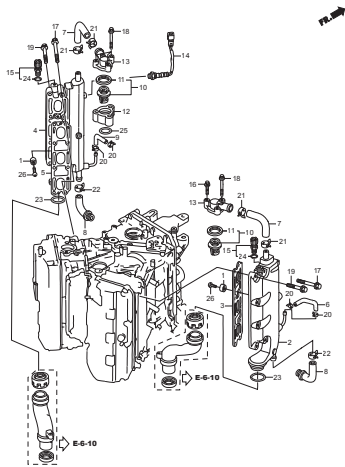
E-3 CYLINDER BLOCK



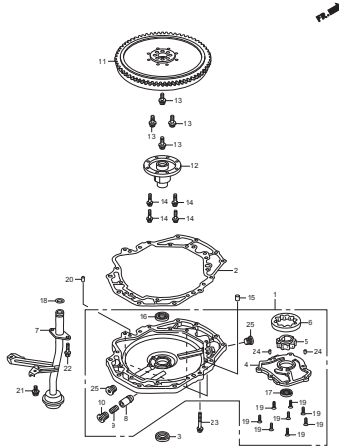
E-3-10 CRANKCASE



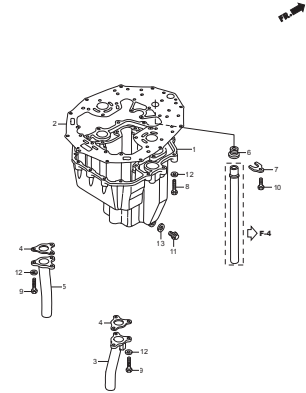
E-4 EXHAUST MANIFOLD/THERMOSTAT



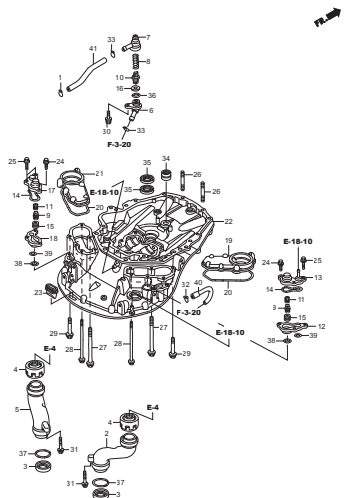
E-5 OIL PUMP/FLYWHEEL



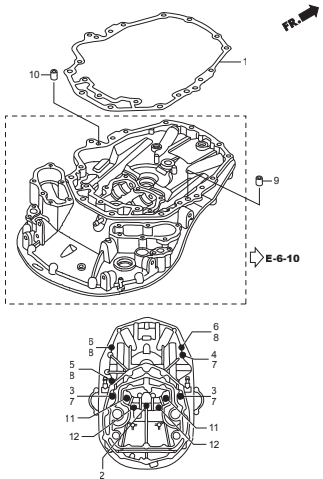
E-6 OIL PAN



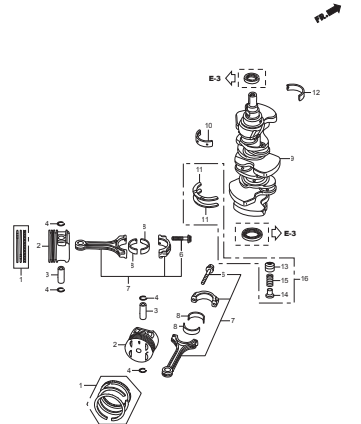
E-6-10 MOUNT CASE



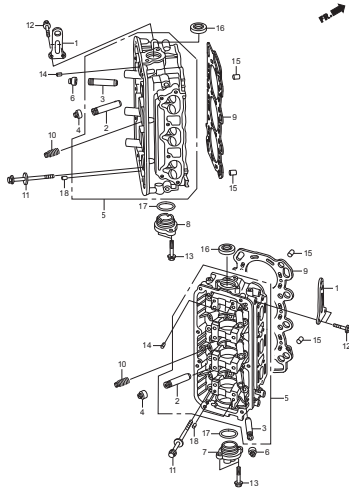
E-6-20 MOUNT CASE BOLT



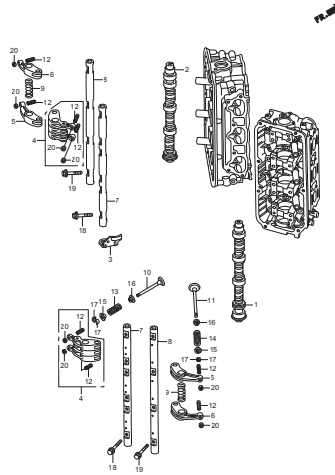
E-7 CRANKSHAFT/PISTON



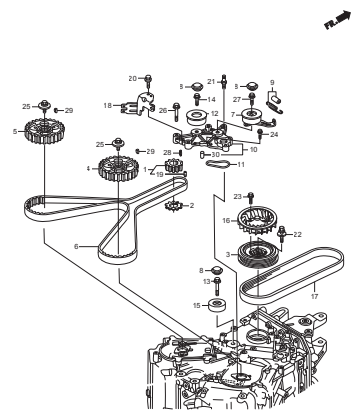
E-9 CYLINDER HEAD



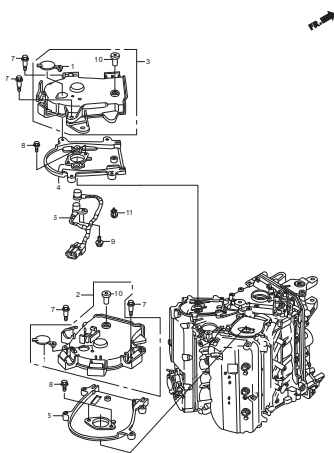
E-9-10 CAMSHAFT/ROCKER ARM



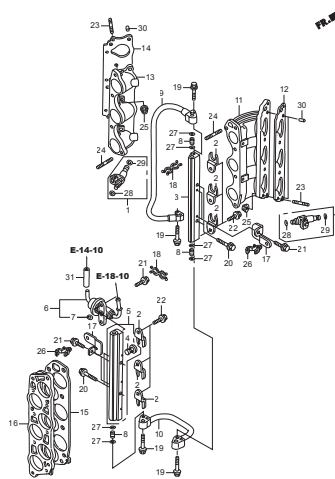
E-13 TIMING BELT



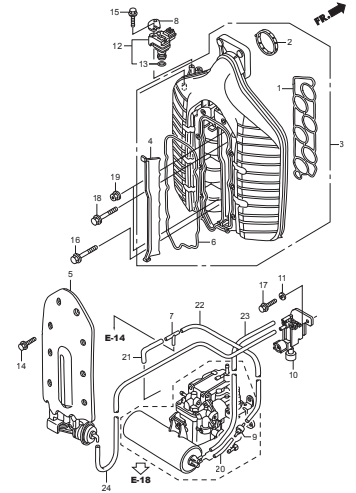
E-13-10 TIMING BELT COVER



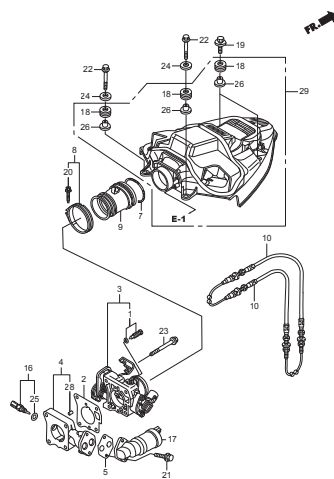
E-14 FUEL PIPE/INJECTOR



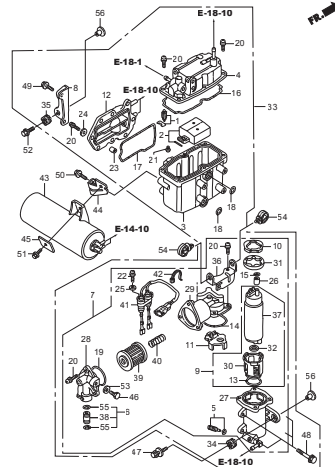
E-14-10 INTAKE MANIFOLD



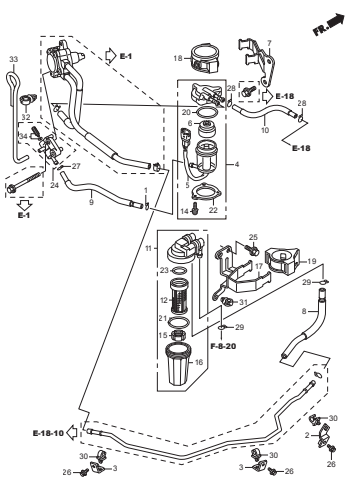
E-15 THROTTLE BODY



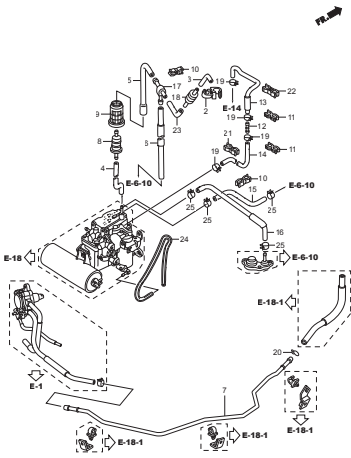
E-18 VAPOR SEPARATOR ASSY



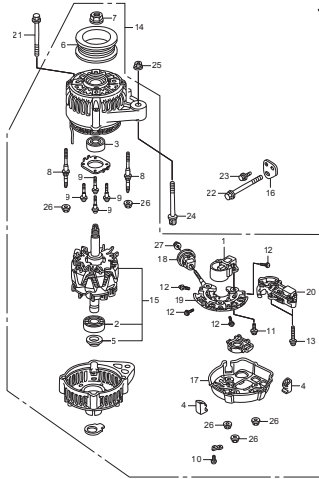
E-18-1 WATER SEPARATOR/FUEL STRAINER



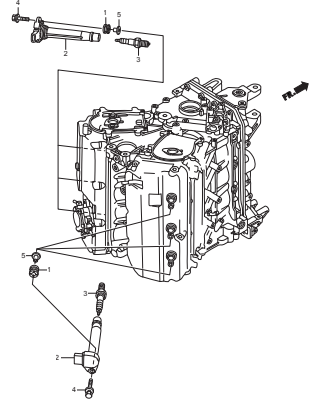
E-18-10 PIPING



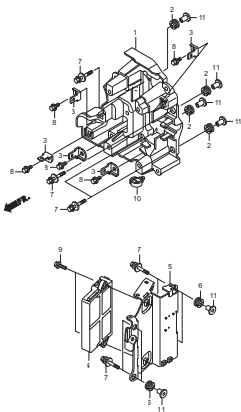
E-19 A.C.GENERATOR



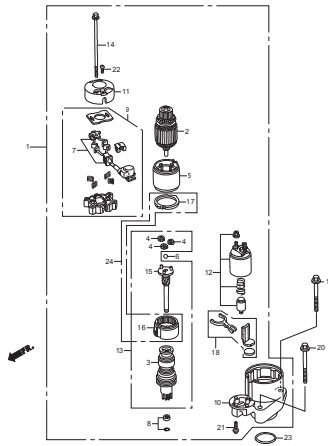
E-20 SPARK PLUG



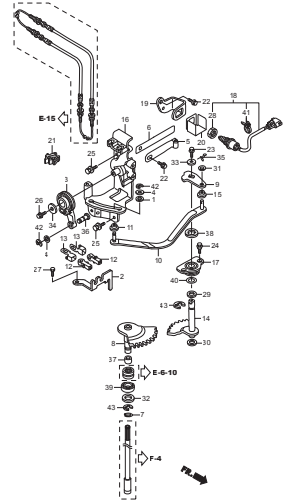
E-20-10 ELECTRONIC CONTROL UNIT



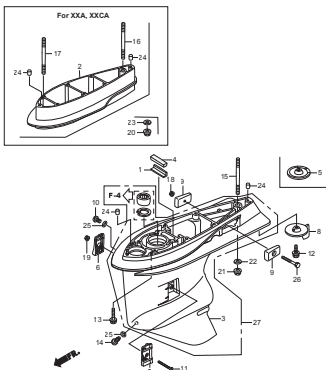
E-21 STARTER MOTOR



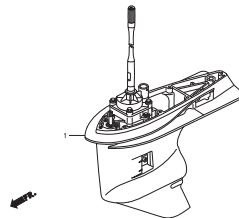
F-2 SHIFT SHAFT



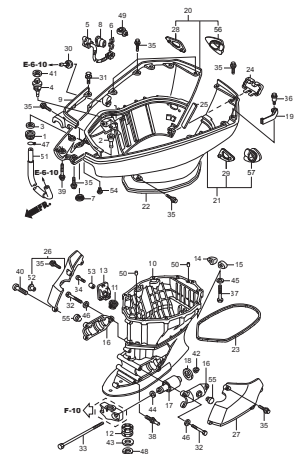
F-3 GEAR CASE



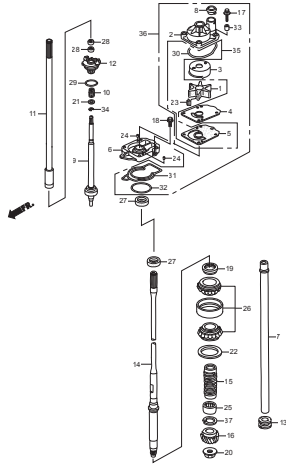
F-3-10 GEAR CASE ASSY



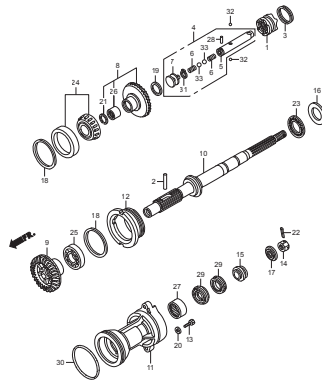
F-3-20 EXTENSION CASE



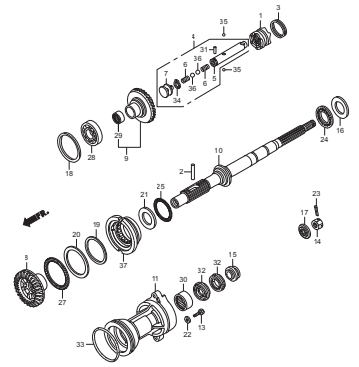
F-4 WATER PUMP/VERTICAL SHAFT



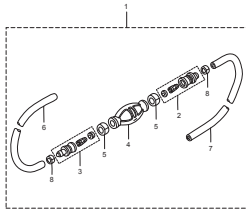
F-5 PROPELLER SHAFT



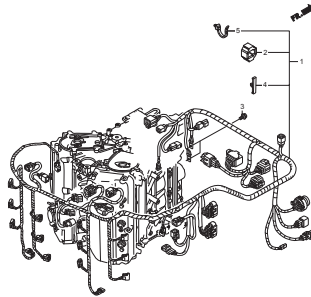
F-5-1 PROPELLER SHAFT (COUNTER ROTATION)



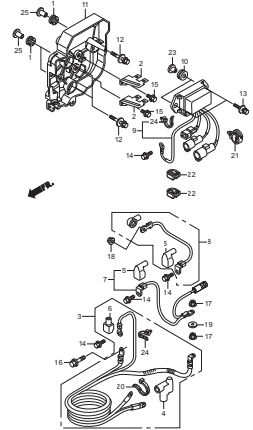
F-6 FUEL TUBE



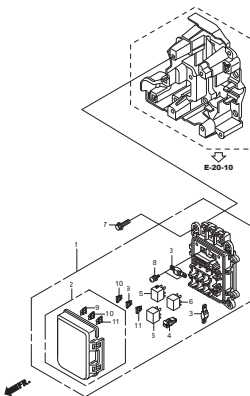
F-7 WIRE HARNESS



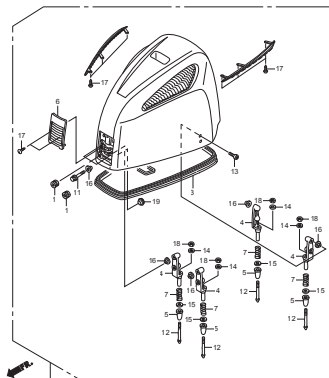
F-7-10 STARTER CABLE



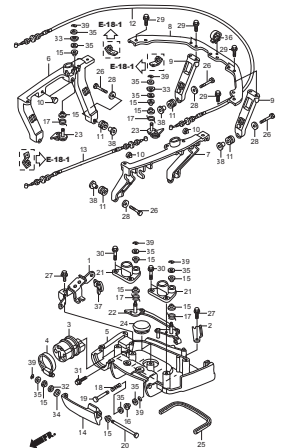
F-7-20 FUSE BOX/RELAY



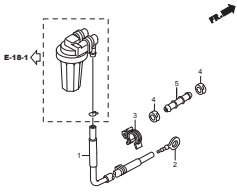
F-8 ENGINE COVER



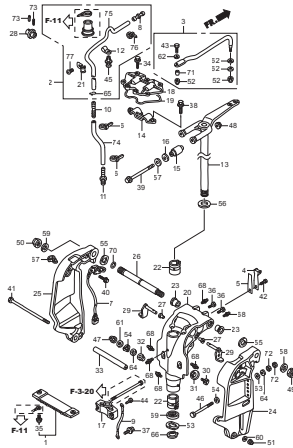
F-8-10 FR.COVER BRACKET/FR.LOCK SHAFT



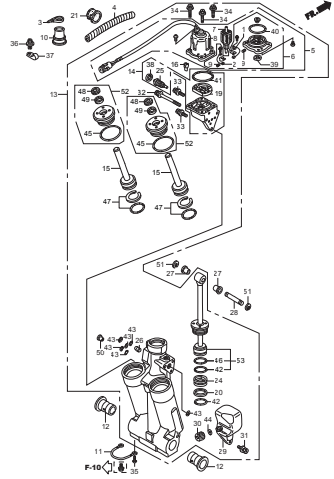
F-8-20 FUEL TUBE (2)



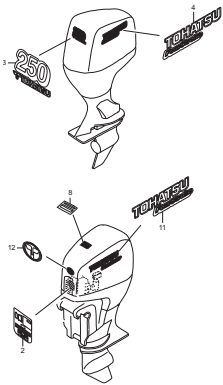
F-10 STERN BRACKET/SWIVEL CASE



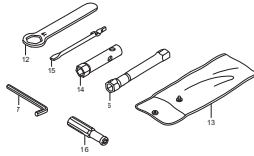
F-11 POWER TRIM-TILT



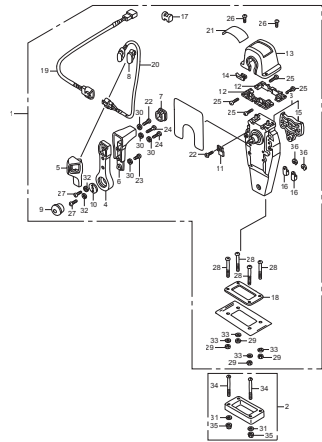
F-12 LABEL



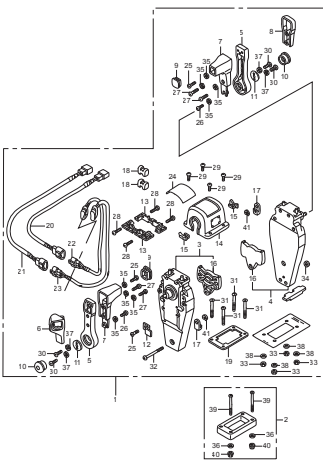
F-13 TOOL



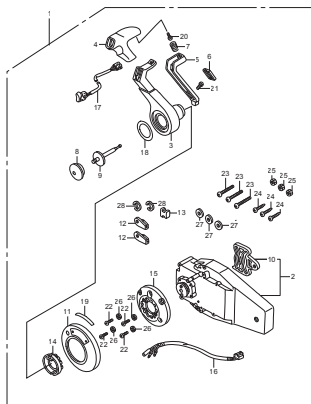
FOP-1 REMOTE CONTROL (TOP MOUNT SINGLE TYPE) (RIGHT)



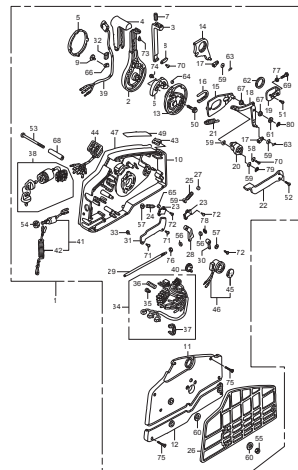
FOP-1-2 REMOTE CONTROL (TOP MOUNT DUAL TYPE) (RIGHT)



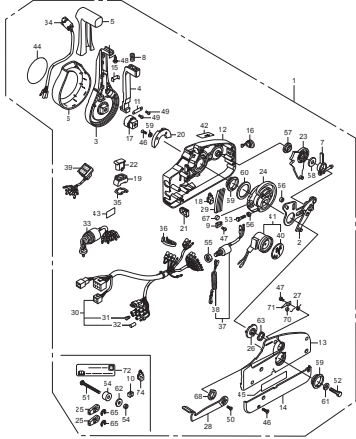
FOP-1-4 REMOTE CONTROL (FRUSH MOUNT TYPE) (RIGHT)



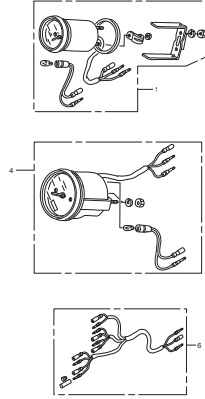
FOP-1-6 REMOTE CONTROL (HI-LEX) (HANDLE CAP = GRAY)



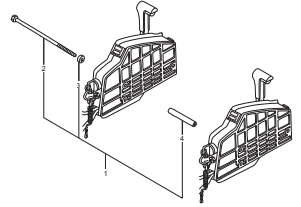
**FOP-1-7 REMOTE CONTROL
(NHK MEC) (HANDLE CAP = CHROME)**



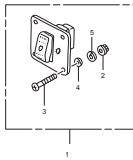
FOP-3 METER



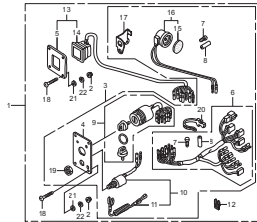
FOP-5 BOLT KIT



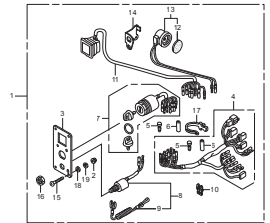
FOP-6 SWITCH PANEL KIT



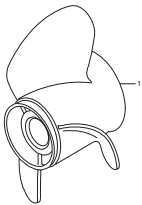
FOP-7 CONTROL PANEL (1)



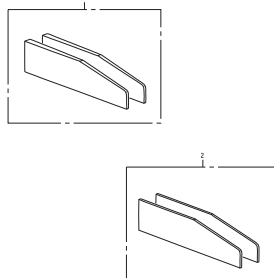
FOP-7-1 CONTROL PANEL (2)



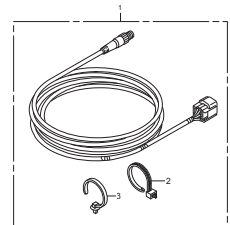
FOP-8 PROPELLER



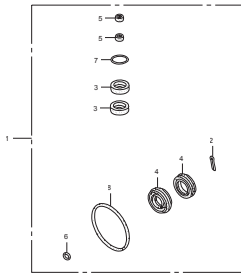
FOP-9 TRIM ADJUST PLATE SET



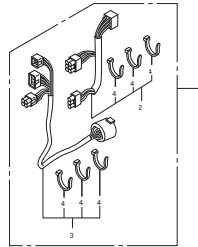
FOP-10 INTERFACE CABLE KIT



FOP-12 GEAR CASE KIT

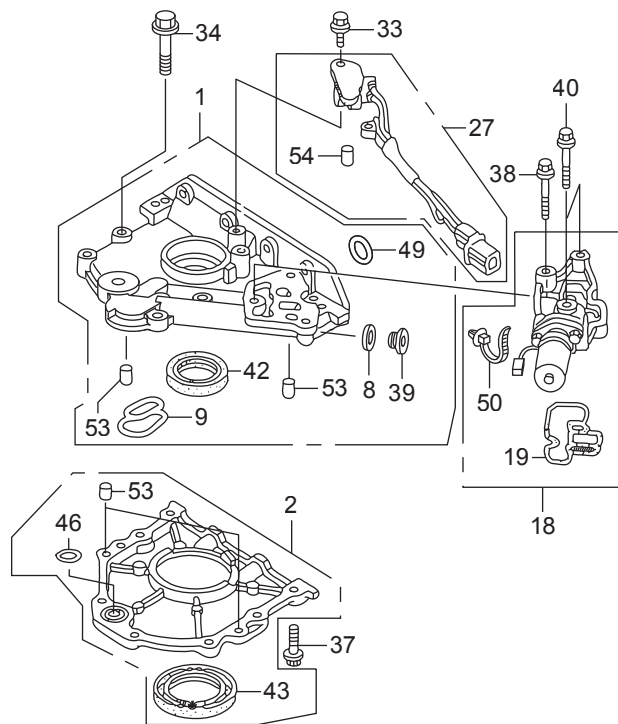
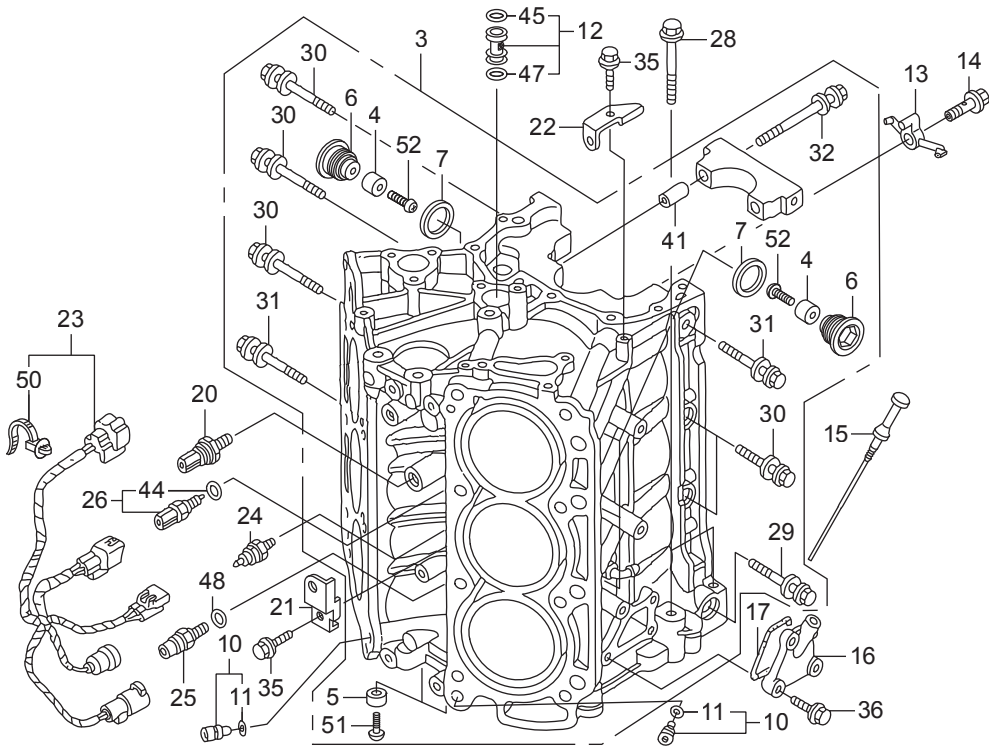


FOP-13 PANEL INTERFACE CABLE SET



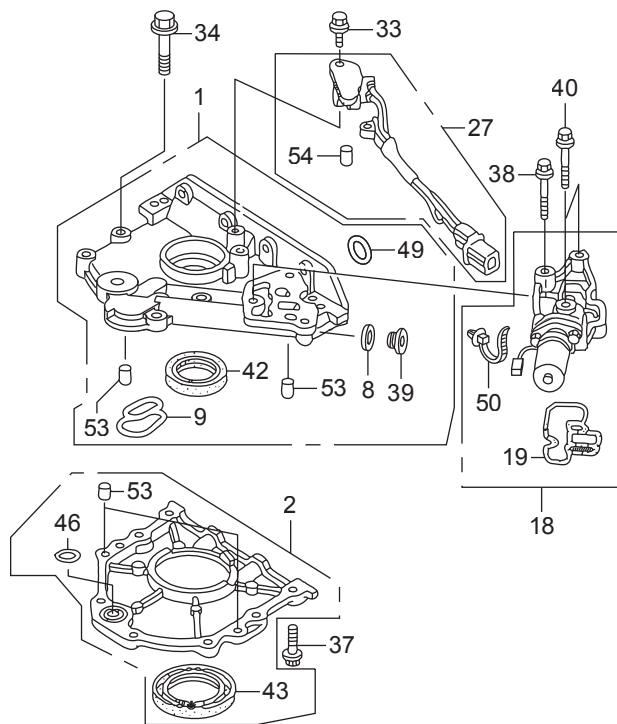
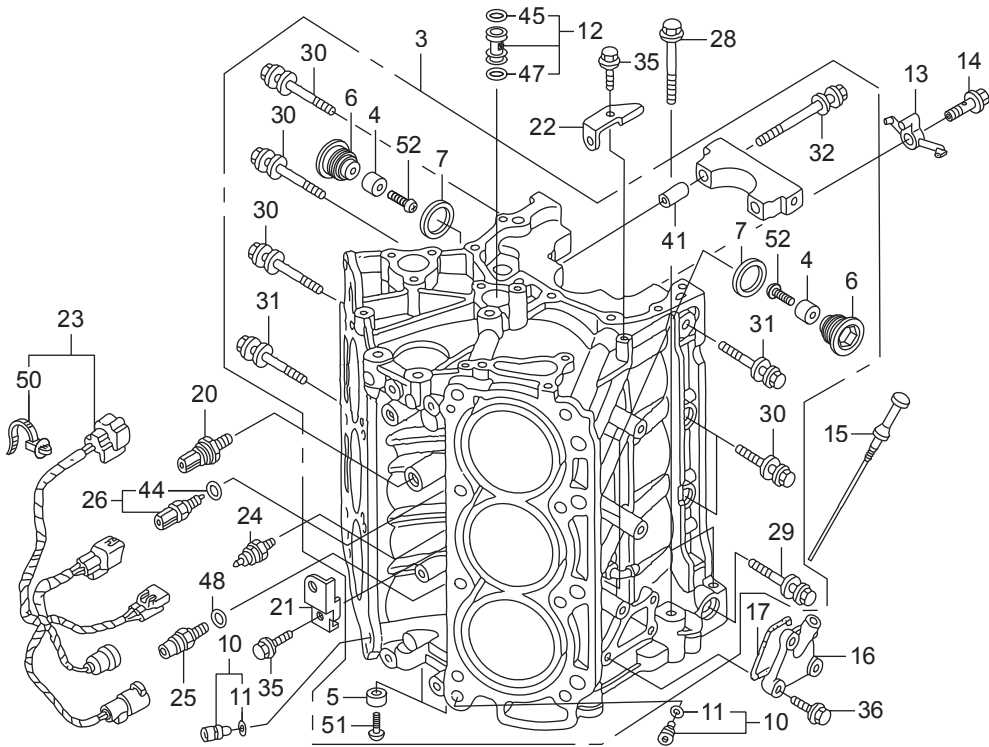
Ref.No.	Part No.	Description	Q' ty	Remarks	
			BFT250A		
E-1	1	HZY3-12310-405ZA	COVER, R. CYLINDER HEAD	1	*NH8* DARK GRAY
E-1	2	HZY3-12312-000	PACKING, HEAD COVER	2	
E-1	3	HZY3-12320-405ZA	COVER, L. CYLINDER HEAD	1	*NH8* DARK GRAY
E-1	4	HP08-12342-004	SEAL, SPARK PLUG TUBE(NOK)	6	
E-1	5	HZY3-15425-010	TUBE, OIL	2	
E-1	6	HZY3-16203-000	BRACKET, SOLENOID VALVE	1	
E-1	7	HZX2-16700-003	PUMP ASSY., FUEL	1	
E-1	8	HZX2-16870-C00	TUBE COMP., FUEL(C)	1	
E-1	9	HZY3-16895-C00	TUBE COMP. G, FUEL	1	
E-1	10	HMT2-17193-000	T-JOINT	1	
E-1	11	HZW9-32114-730	BRACKET, CLIP B	1	
E-1	12	HZY3-32129-000	BRACKET C, HARNESS CLIP	3	
E-1	13	HHE0-50310-003	CLIP A, WIRE	1	
E-1	14	HSE0-53740-953	CLIP, SENSOR HOSE	1	
E-1	15	HSD9-54316-013	CLIP, SHIFT WIRE	1	
E-1	16	HZW9-90011-000	BOLT, FLANGE, 6X14(CT200)	5	
E-1	17	HZW9-90019-000	BOLT, FLANGE, 6X35	16	
E-1	18	HZY3-90036-000	BOLT, FLANGE, 8X32	1	
E-1	19	HZW4-90126-000	BOLT, FLANGE, 8X45	1	
E-1	20	HZY3-90406-000	WASHER, PLAIN, 8MM	1	
E-1	21	HZY3-90602-020	CLAMP, TUBE(D32.5)	2	
E-1	22	HZV0-90604-000	CLIP, TUBE(B12)	4	
E-1	23	HZB7-90691-003	CLIP, HARNESS	1	
E-1	24	HKT7-91305-003	O-RING, 37X2.4(ARAI)	1	
E-1	25	HZY3-91401-A00	TUBE COMP. A, BREATHER	1	
E-1	26	HZY3-91402-020	TUBE B, BREATHER	1	
E-1	27	HZY3-91403-000	TUBE C, BREATHER	1	
E-1	28	HSK7-91566-003	CLIP D, WASHER TUBE	1	

FR. 



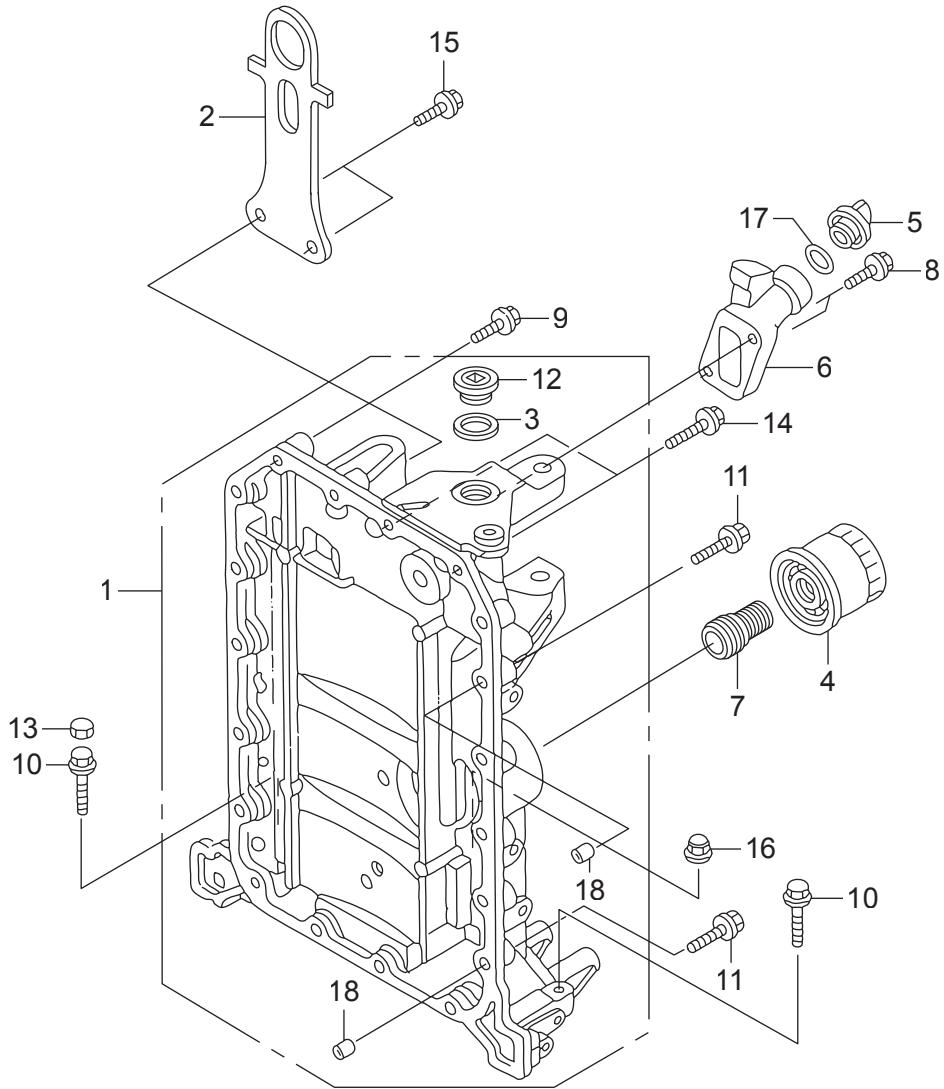
Ref.No.	Part No.	Description	Q' ty	Remarks	
			BFT250A		
E-3	1	HZY3-11200-010ZA	COVER ASSY., CRANKCASE UPPER	1	*NH8* DARK GRAY
E-3	2	HZY3-11300-C00	CASE ASSY., OIL SEAL	1	
E-3	3	HZX2-12000-405ZA	BLOCK ASSY., CYLINDER	1	*NH8* DARK GRAY
E-3	4	HZV4-12155-A00	METAL, ANODE	6	
E-3	5	HZY3-12155-000	METAL, ANODE	2	
E-3	6	HZY3-12164-000	BOLT, SEALING, 22MM	6	
E-3	7	HZY3-12171-305	WASHER, SEALING, 22MM	6	
E-3	8	HZV5-12214-000	WASHER, SEALING(22MM)	1	
E-3	9	HP8A-15115-A01	PACKING, OIL HOLE	1	
E-3	10	HP8A-15140-A00	ORIFICE ASSY., OIL CONTROL	2	
E-3	11	HP8A-15142-A00	O-RING, 8.8X2.4	2	
E-3	12	HP8A-15150-A00	JOINT ASSY., OIL PIPE	1	
E-3	13	HR70-15280-A00	BODY, OIL JET	3	
E-3	14	HRJA-15290-000	BOLT COMP., OIL JET	3	
E-3	15	HZX2-15655-000	GAUGE COMP., OIL LEVEL	1	
E-3	16	HZY3-15656-000	COVER, OIL LEVEL GAUGE	1	
E-3	17	HZY3-15657-000	PACKING, OIL LEVEL GAUGE	1	
E-3	18	HZY3-15810-003ZA	VALVE ASSY., SPOOL	1	*NH8* DARK GRAY
E-3	19	HZY3-15825-003	FILTER ASSY., SPOOL VALVE	1	
E-3	20	HRNA-30530-A01	SENSOR COMP., KNOCK	1	
E-3	21	HZW9-32114-730	BRACKET, CLIP B	1	
E-3	22	HZY3-32116-000	BRACKET B, HARNESS CLIP	1	
E-3	23	HZY3-32193-C00	CORD, SWITCH	1	
E-3	24	HZW9-35490-003	SWITCH ASSY., OIL PRESSURE	1	
E-3	25	HZY3-35490-004	SWITCH ASSY., OIL PRESSURE	1	
E-3	26	HZY3-35673-003	SENSOR ASSY., WATER	1	TEMPERATURE
E-3	27	HZY3-35700-003	SENSOR ASSY., CRANK	1	
E-3	28	HZY3-90001-000	BOLT, FLANGE, 12X95	2	
E-3	29	HZY3-90006-003	BOLT-WASHER, 10X109	1	

FR. 

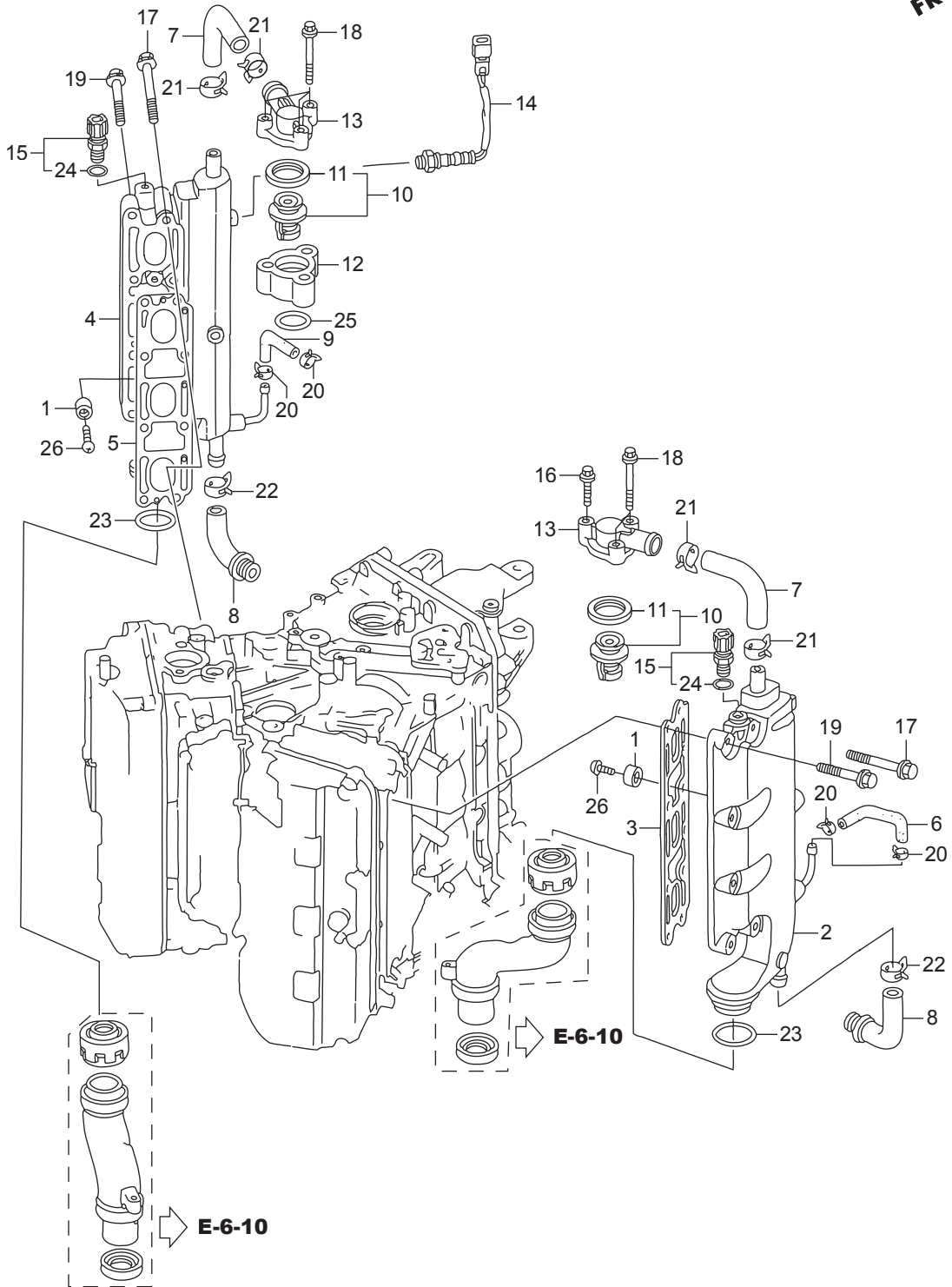


Ref.No.	Part No.	Description	Q' ty	Remarks	
			BFT250A		
E-3	30	HZY3-90008-003	BOLT-WASHER, 10X60	5	
E-3	31	HZY3-90009-003	BOLT-WASHER, 10X80	2	
E-3	32	HRCA-90014-A01	BOLT-WASHER, 11X105	8	
E-3	33	HZY3-90017-000	BOLT, FLANGE, 6X16	1	
E-3	34	HZW9-90019-000	BOLT, FLANGE, 6X35	7	
E-3	35	HZY3-90021-000	BOLT, FLANGE, 6X14	2	
E-3	36	HZY3-90028-000	BOLT, FLANGE, 6X18	4	
E-3	37	HZY3-90030-000	BOLT, FLANGE, 6X22	8	
E-3	38	HZY3-90038-000	BOLT, FLANGE, 8X75	1	
E-3	39	HZV5-90081-010	BOLT, SEALING, 22MM	1	
E-3	40	HZW4-90156-000	BOLT, FLANGE, 8X50	2	
E-3	41	HPH7-90715-000	DOWEL PIN, 13X37	8	LA, XA, XCA
E-3	41	H5G0-90715-A00	DOWEL PIN, 13X37	8	XXA, XXCA
E-3	42	HZY3-91212-003	OIL SEAL, 41X66X8	1	
E-3	43	HPNA-91214-014	OIL SEAL, 80X98X10(ARAI)	1	
E-3	44	HPNA-91307-003	O-RING, 9.5X1.9	1	
E-3	45	HP8A-91308-A01	O-RING, 18.3X3.5	1	
E-3	46	HPK1-91308-003	O-RING, 26.2X2.4(NOK)	1	
E-3	47	HP8A-91309-A01	O-RING, 16.3X3.5	1	
E-3	48	HPR3-91319-003	O-RING, 13X1.5(ARAI)	1	
E-3	49	HP0X-91321-003	O-RING, 25X2.4(NOK)	1	
E-3	50	HS0A-91541-003	CLIP, HARNESS BAND(BLACK)	2	(145MM)
E-3	51	HCO-93500-05016-4J	SCREW	2	
E-3	52	HCO-93500-05020-4J	SCREW	6	
E-3	53	HCO-94301-06100	DOWEL PIN, 6X10	4	
E-3	54	HCO-94303-05080	DOWEL PIN, 5X8	1	

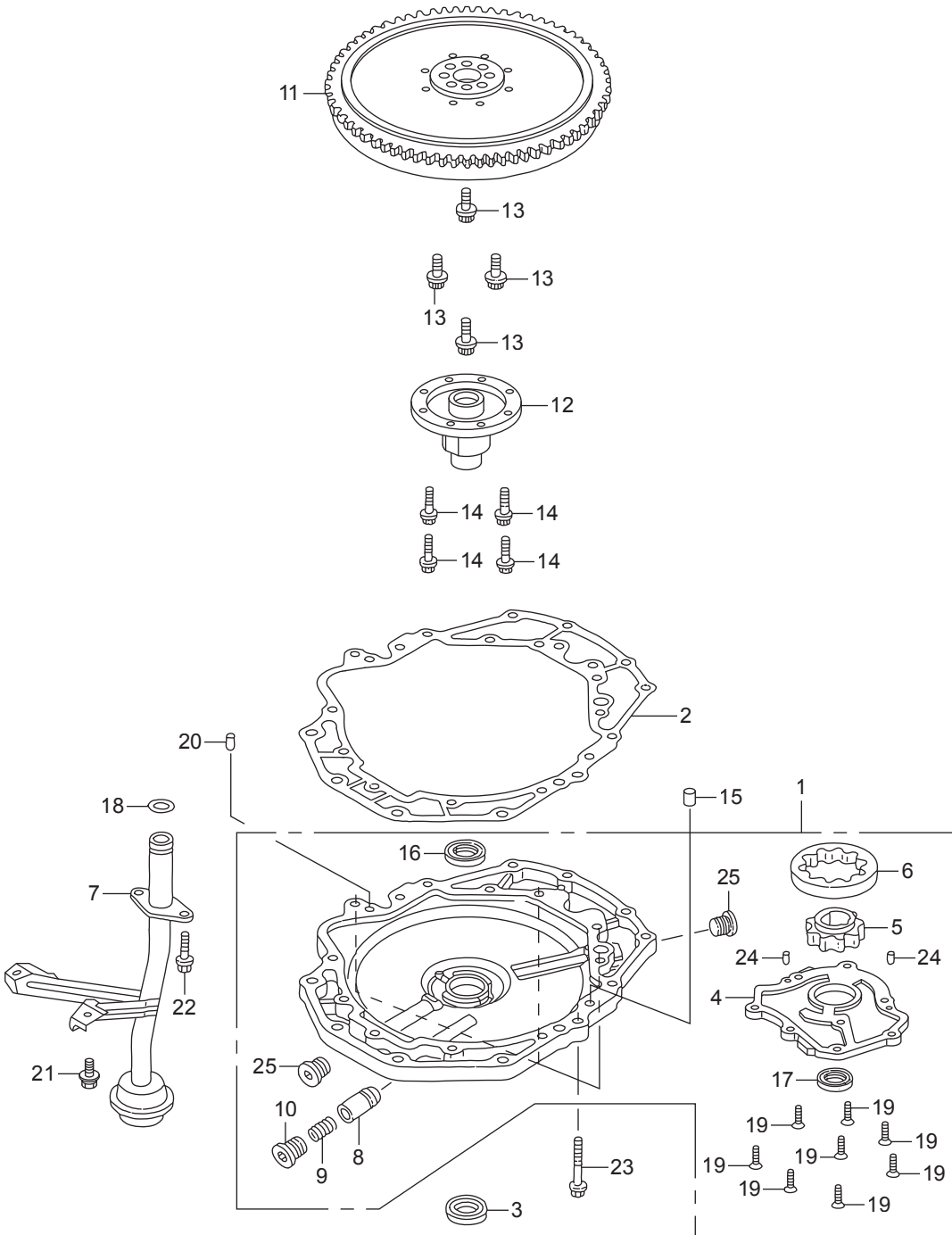
FR. 



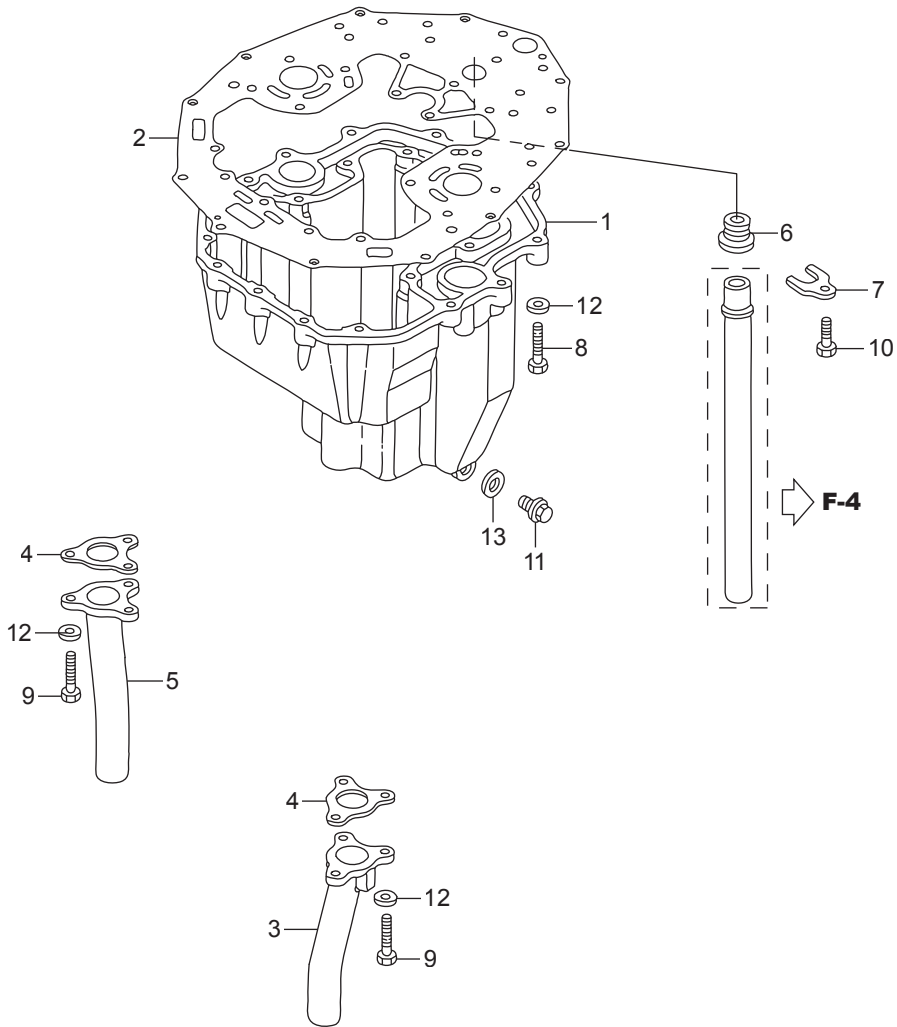
FR. 

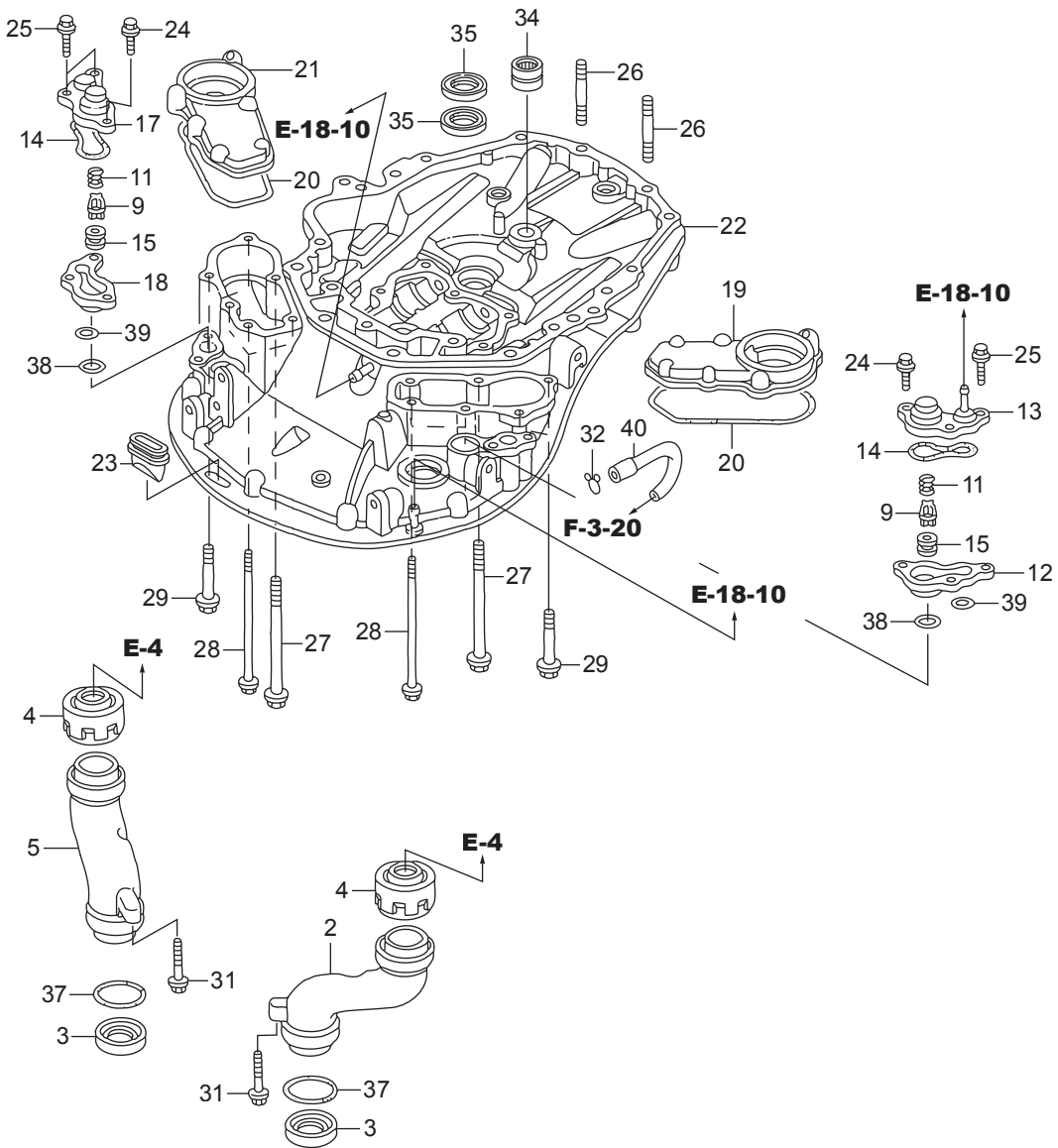
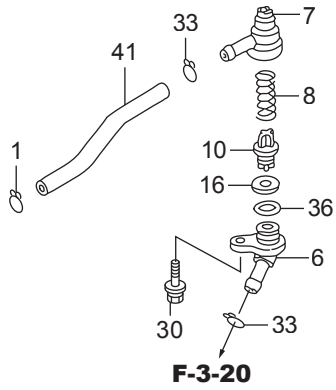


Ref.No.	Part No.	Description	Q' ty	Remarks	
			BFT250A		
E-4	1	HZV5-12155-000	METAL, ANODE	4	
E-4	2	HZY3-18110-010ZA	MANIFOLD COMP., R. EX.	1	*NH8*DARK GRAY
E-4	3	HZY3-18115-003	GASKET, R. EX. MANIFOLD	1	
E-4	4	HZY3-18120-C01ZA	MANIFOLD COMP., L. EX.	1	*NH8*DARK GRAY
E-4	5	HZY3-18125-003	GASKET, L. EX. MANIFOLD	1	
E-4	6	HZY3-19255-000	TUBE, R. WATER RETURN	1	
E-4	7	HZY3-19256-010	TUBE, WATER RELIEF	2	
E-4	8	HZY3-19257-000	TUBE, WATER	2	
E-4	9	HZY3-19261-000	TUBE, L. WATER RETURN	1	
E-4	10	HZX2-19300-003	THERMOSTAT ASSY.	2	
E-4	11	HZX2-19303-003	RUBBER, RING	2	
E-4	12	HZX2-19313-000ZA	SPACER, THERMOSTAT COVER	1	*NH8*DARK GRAY
E-4	13	HZX2-19315-000ZA	COVER, THERMOSTAT	2	*NH8*DARK GRAY
E-4	14	HZY3-35655-C01	SENSOR, OXYGEN	1	
E-4	15	HZY3-35673-003	SENSOR ASSY., WATER	2	TEMPERATURE
E-4	16	HZW9-90019-000	BOLT, FLANGE, 6X35	1	
E-4	17	HZY3-90027-000	BOLT, FLANGE, 8X60	8	
E-4	18	HZY3-90034-000	BOLT, FLANGE, 6X60	5	
E-4	19	HZW4-90155-000	BOLT, FLANGE, 8X40	8	
E-4	20	HZY3-90601-030	CLAMP, TUBE(D10.5)	4	
E-4	21	HZY3-90603-020	CLAMP, TUBE(D29)	4	
E-4	22	HZY3-90604-020	CLAMP, TUBE(D21)	2	
E-4	23	HZY3-91301-003	O-RING, 66.4X3.1	2	
E-4	24	HPNA-91307-003	O-RING, 9.5X1.9	2	
E-4	25	HSD4-91356-952	O-RING, 31.5X2.4(ARAI)	1	
E-4	26	HCO-93500-06018-4J	SCREW, PAN, 6X18	4	

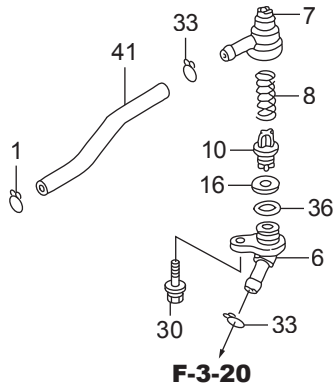


Ref.No.	Part No.	Description	Q' ty	Remarks	
			BFT250A		
E-5	1	HZY3-15100-000ZA	PUMP ASSY., OIL	1	*NH8*DARK GRAY
E-5	2	HZY3-15112-013	PACKING, OIL PUMP BODY	1	
E-5	3	HZY3-15113-000	RUBBER, OIL PUMP	1	
E-5	4	HZY3-15121-000	COVER, OIL PUMP	1	
E-5	5	HZY3-15131-405	ROTOR, OIL PUMP INNER	1	
E-5	6	HZY3-15132-405	ROTOR, OIL PUMP OUTER	1	
E-5	7	HZY3-15220-020	STRAINER COMP., OIL	1	
E-5	8	HPE0-15231-000	VALVE, RELIEF	1	
E-5	9	HPG6-15232-000	SPRING, RELIEF VALVE	1	
E-5	10	HPC6-15233-000	BOLT, SEALING, 18MM	1	
E-5	11	HZX2-31110-000ZA	FLYWHEEL COMP.	1	*TBLACK*BLACK
E-5	12	HZY3-31116-000	BOSS, FLYWHEEL	1	
E-5	13	HZX2-90001-000	BOLT, 12MM	8	
E-5	14	HZW5-90002-013	BOLT, SPECIAL, 8MM	8	
E-5	15	HPW5-90701-000	DOWEL PIN, 14X15	1	
E-5	16	HZW5-91201-003	OIL SEAL, 46X60X9	1	
E-5	17	HP01-91212-003	OIL SEAL, 31X46X7(NOK)	1	
E-5	18	HPC6-91324-000	O-RING, 20.6X2.6	1	
E-5	19	HCO-93600-06016-0A	SCREW, FLAT, 6X16	8	
E-5	20	HCO-94302-10160	PIN B, DOWEL, 10X16	1	
E-5	21	HCO-95701-06014-09	BOLT, FLANGE, 6X14	2	
E-5	22	HCO-95701-06018-09	BOLT, FLANGE, 6X18	2	
E-5	23	HCO-95701-08030-09	BOLT, FLANGE, 8X30	4	
E-5	24	HCO-96220-50080	ROLLER, 5X8	2	
E-5	25	HZV5-90081-010	BOLT, SEALING, 22MM	2	

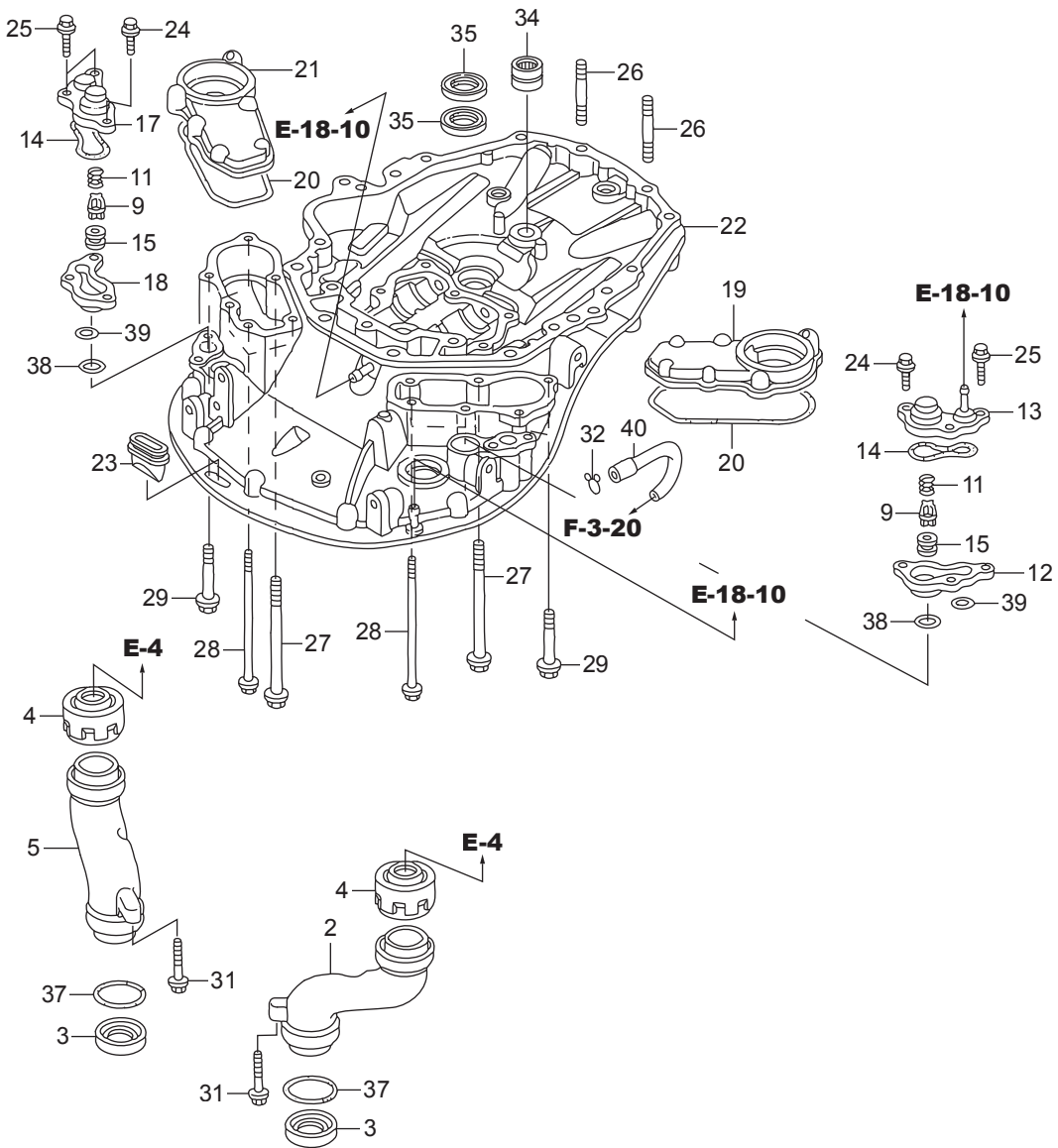




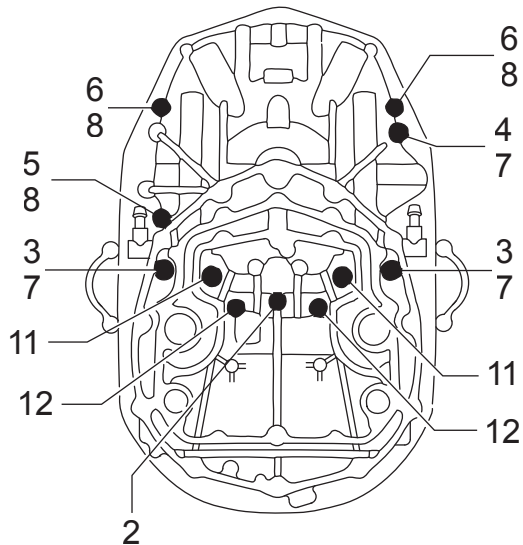
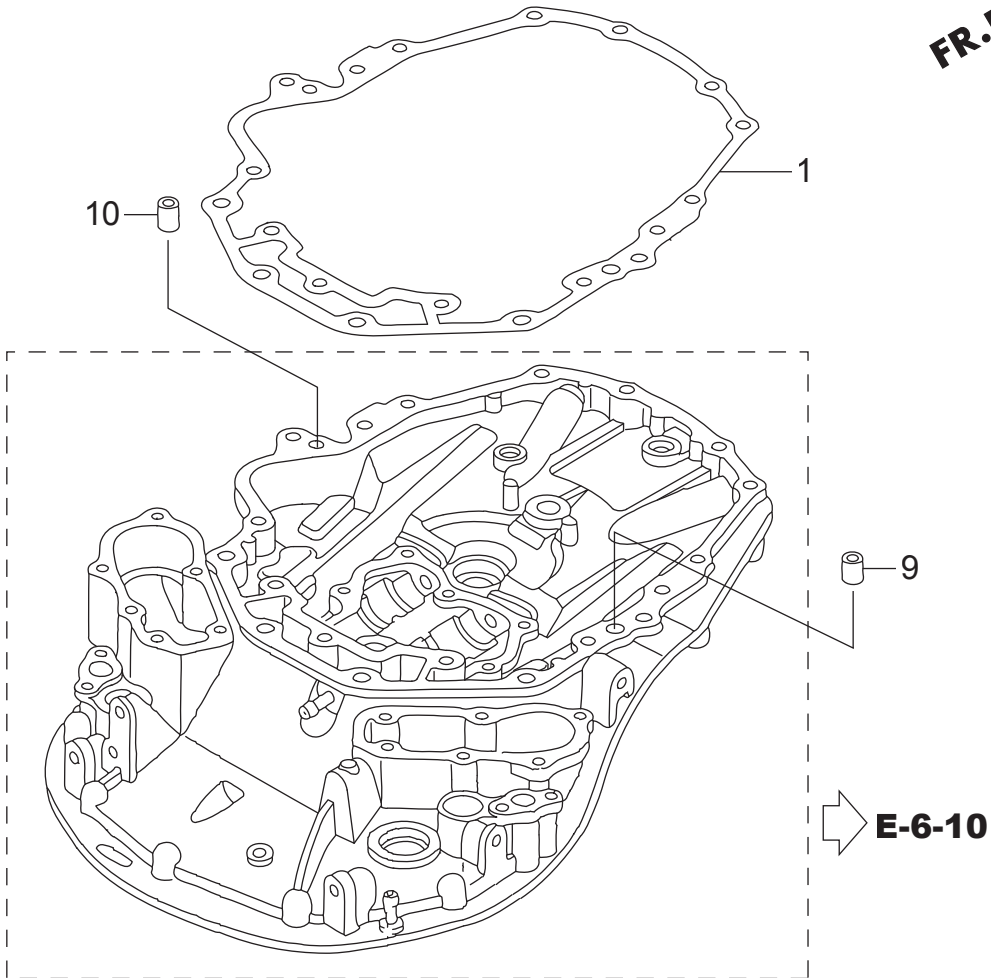
Ref.No.	Part No.	Description	Q' ty	Remarks	
			BFT250A		
E-6-10	1	HGHB-16163-610	CLIP, TUBE	1	
E-6-10	2	HZY3-18141-A00ZA	GUIDE, R. EX.	1	*TGRAY* GRAY
E-6-10	3	HZY3-18148-003	SEAL, EXHAUST GUIDE	2	
E-6-10	4	HZY3-18149-A01	SEAL B, EX. GUIDE	2	
E-6-10	5	HZY3-18151-A00ZA	GUIDE, L. EX.	1	*TGRAY* GRAY
E-6-10	6	HZY3-19277-000ZA	COVER, FLUSH VALVE	1	*NH8*DARK GRAY
E-6-10	7	HZY3-19278-000	CASE, FLUSH VALVE	1	
E-6-10	8	HZW9-19279-000	SPRING, FLUSH VALVE	1	
E-6-10	9	HZW5-19291-000	VALVE, RELIEF	2	
E-6-10	10	HZW9-19291-000	VALVE, FLASH	1	
E-6-10	11	HZW5-19292-000	SPRING, RELIEF VALVE	2	
E-6-10	12	HZY3-19294-000ZB	SPACER, R. RELIEF VALVE	1	*TGRAY* GRAY
E-6-10	13	HZY3-19295-000	COVER, R. RELIEF VALVE	1	
E-6-10	14	HZY3-19296-000	PACKING, RELIEF VALVE COVER	2	
E-6-10	15	HZW5-19297-000	PACKING, RELIEF VALVE	2	
E-6-10	16	HZW9-19297-000	PACKING, FLASH VALVE	1	
E-6-10	17	HZY3-19297-000	COVER, L. RELIEF VALVE	1	
E-6-10	18	HZY3-19298-000ZB	SPACER, L. RELIEF VALVE	1	*TGRAY* GRAY
E-6-10	19	HZY3-19361-000	COVER, R. WATER JACKET	1	
E-6-10	20	HZY3-19362-000	PACKING, WATER JACKET COVER	2	
E-6-10	21	HZY3-19366-000	COVER, L. WATER JACKET	1	
E-6-10	22	HZY3-23170-030ZA	CASE COMP., MOUNT	1	*NH8*DARK GRAY
E-6-10	23	HZY3-23173-010	RUBBER, MOUNT CASE SEAL	1	
E-6-10	24	HZY3-90030-000	BOLT, FLANGE, 6X22	2	
E-6-10	25	HZY3-90031-000	BOLT, FLANGE, 6X32	4	
E-6-10	26	HZY3-90045-000	BOLT, STUD, 10X45	2	
E-6-10	27	HZY3-90046-000	BOLT, FLANGE, 8X100	2	
E-6-10	28	HZY3-90047-000	BOLT, WASHER, 6X121	6	
E-6-10	29	HZY3-90049-000	BOLT, FLANGE, 8X30	4	



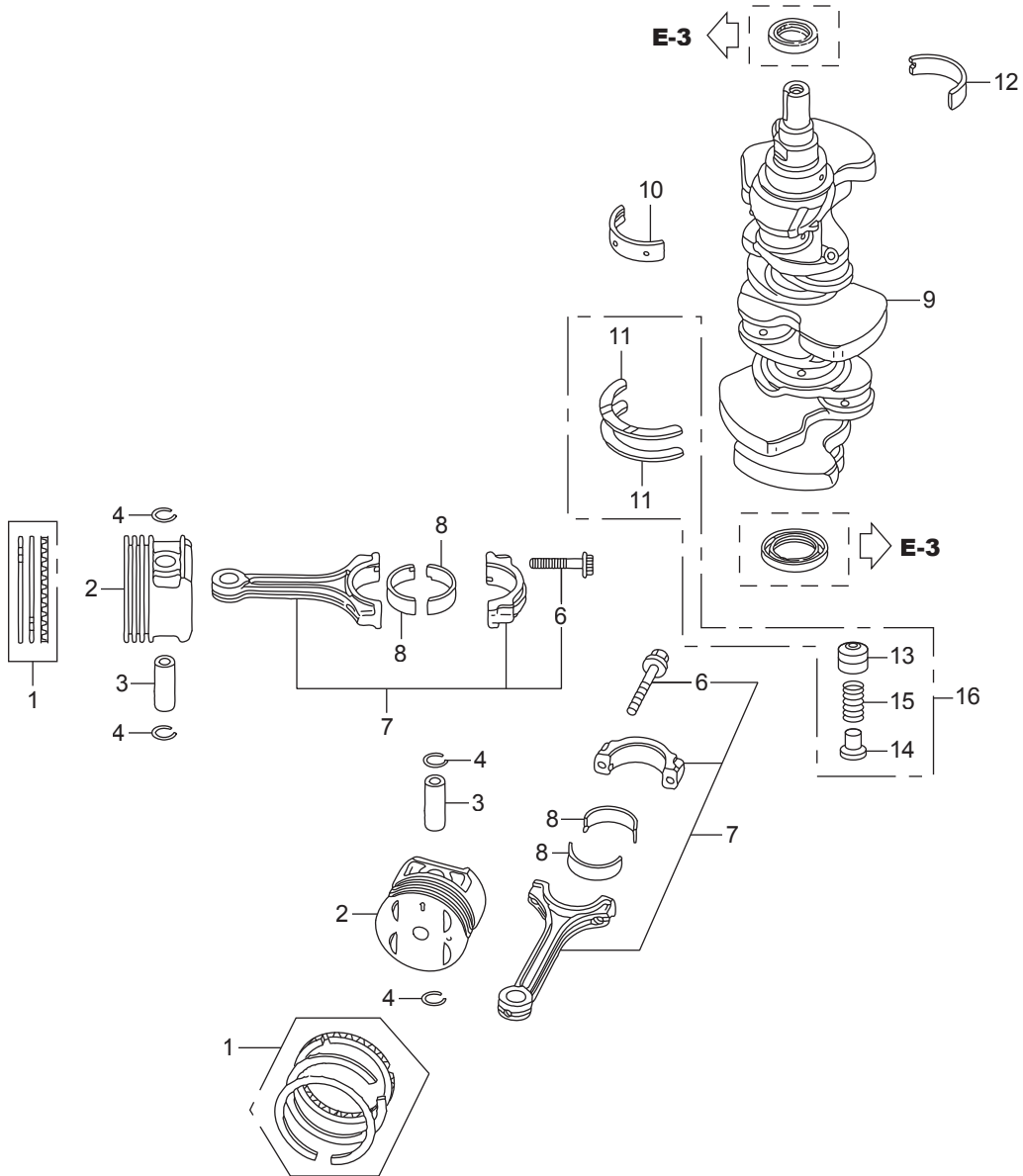
F-3-20



FR. 

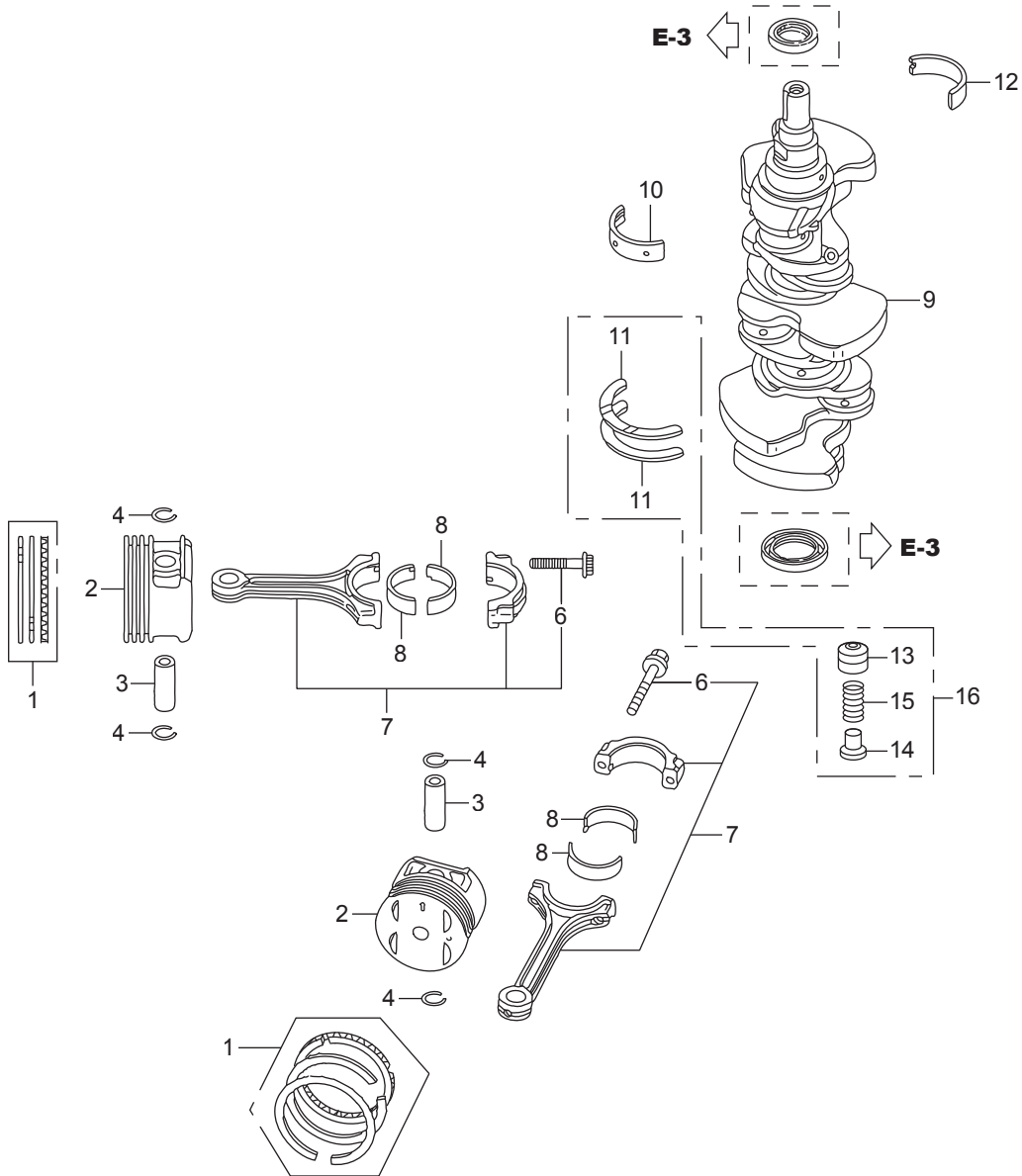


FR. 

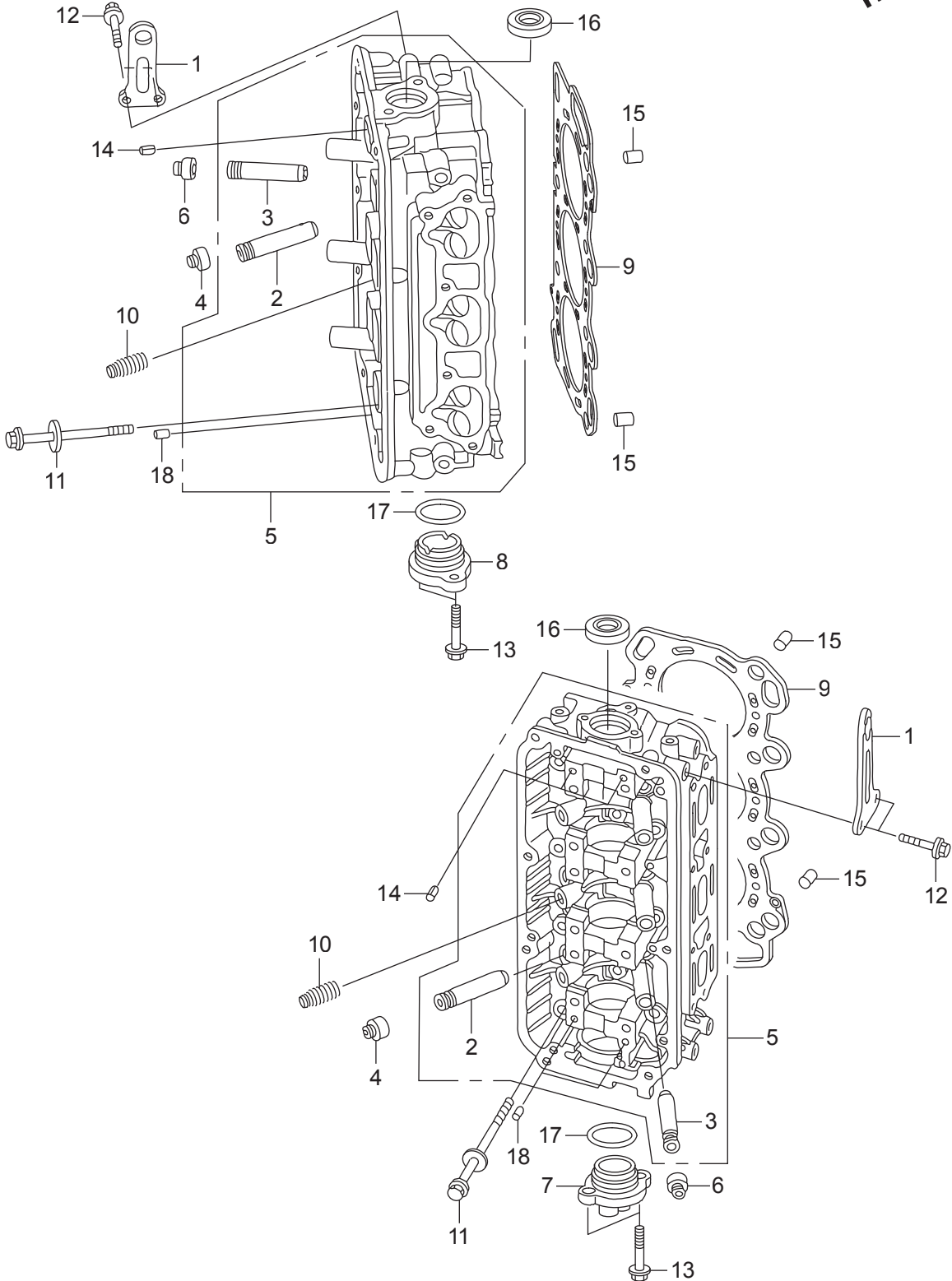


Ref.No.	Part No.	Description	Q' ty	Remarks	
			BFT250A		
E-7	1	HZX2-13010-000	RING SET, PISTON(STD.)(RIKEN)	6	
E-7	1	HZX2-13011-000	RING SET, PISTON(0.25)(RIKEN)	6	
E-7	2	HZX2-13101-000	PISTON	6	
E-7	2	HZX2-13102-000	PISTON(0.25)	6	
E-7	3	HPEA-13111-000	PIN, PISTON	6	
E-7	4	HP5A-13115-000	CLIP, PISTON PIN	12	
E-7	6	HP8A-13204-A01	BOLT, CONNECTING ROD	12	
E-7	7	HRKG-13210-000	ROD COMP., CONNECTING	6	
E-7	8	HRYE-13211-A01	BEARING A, CONNECTING ROD	12	(BLACK)(TAIHO)
E-7	8	HRYE-13212-A01	BEARING B, CONNECTING ROD	12	(BROWN)(TAIHO)
E-7	8	HRYE-13213-A01	BEARING C, CONNECTING ROD	12	(GREEN)(TAIHO)
E-7	8	HRYE-13214-A01	BEARING D, CONNECTING ROD	12	(YELLOW)(TAIHO)
E-7	8	HRYE-13215-A01	BEARING E, CONNECTING ROD	12	(PINK)(TAIHO)
E-7	9	HRKG-13310-000	CRANKSHAFT COMP.	1	
E-7	10	HZX2-13321-003	BEARING A, MAIN UPPER(BLACK)	4	(TAIHO)
E-7	10	HZX2-13322-003	BEARING B, MAIN UPPER(BROWN)	4	(TAIHO)
E-7	10	HZX2-13323-003	BEARING C, MAIN UPPER(GREEN)	4	(TAIHO)
E-7	10	HZX2-13324-003	BEARING D, MAIN UPPER(YELLOW)	4	(TAIHO)
E-7	10	HZX2-13325-003	BEARING E, MAIN UPPER(PINK)	4	(TAIHO)
E-7	10	HZX2-13326-003	BEARING F, MAIN UPPER(RED)	4	(TAIHO)
E-7	11	HZY3-13331-A04	WASHER, THRUST	2	XXA,XXCA
E-7	12	HZX2-13341-003	BEARING A, MAIN LOWER(BLACK)	4	(TAIHO)
E-7	12	HZX2-13342-003	BEARING B, MAIN LOWER(BROWN)	4	(TAIHO)
E-7	12	HZX2-13343-003	BEARING C, MAIN LOWER(GREEN)	4	(TAIHO)
E-7	12	HZX2-13344-003	BEARING D, MAIN LOWER(YELLOW)	4	(TAIHO)
E-7	12	HZX2-13345-003	BEARING E, MAIN LOWER(PINK)	4	(TAIHO)
E-7	12	HZX2-13346-003	BEARING F, MAIN LOWER(RED)	4	(TAIHO)
E-7	13	HZY3-13391-000	RETAINER, SPRING	1	XXA,XXCA
E-7	14	HZX2-13392-000	SEAT, SPRING(250)	1	XXA,XXCA

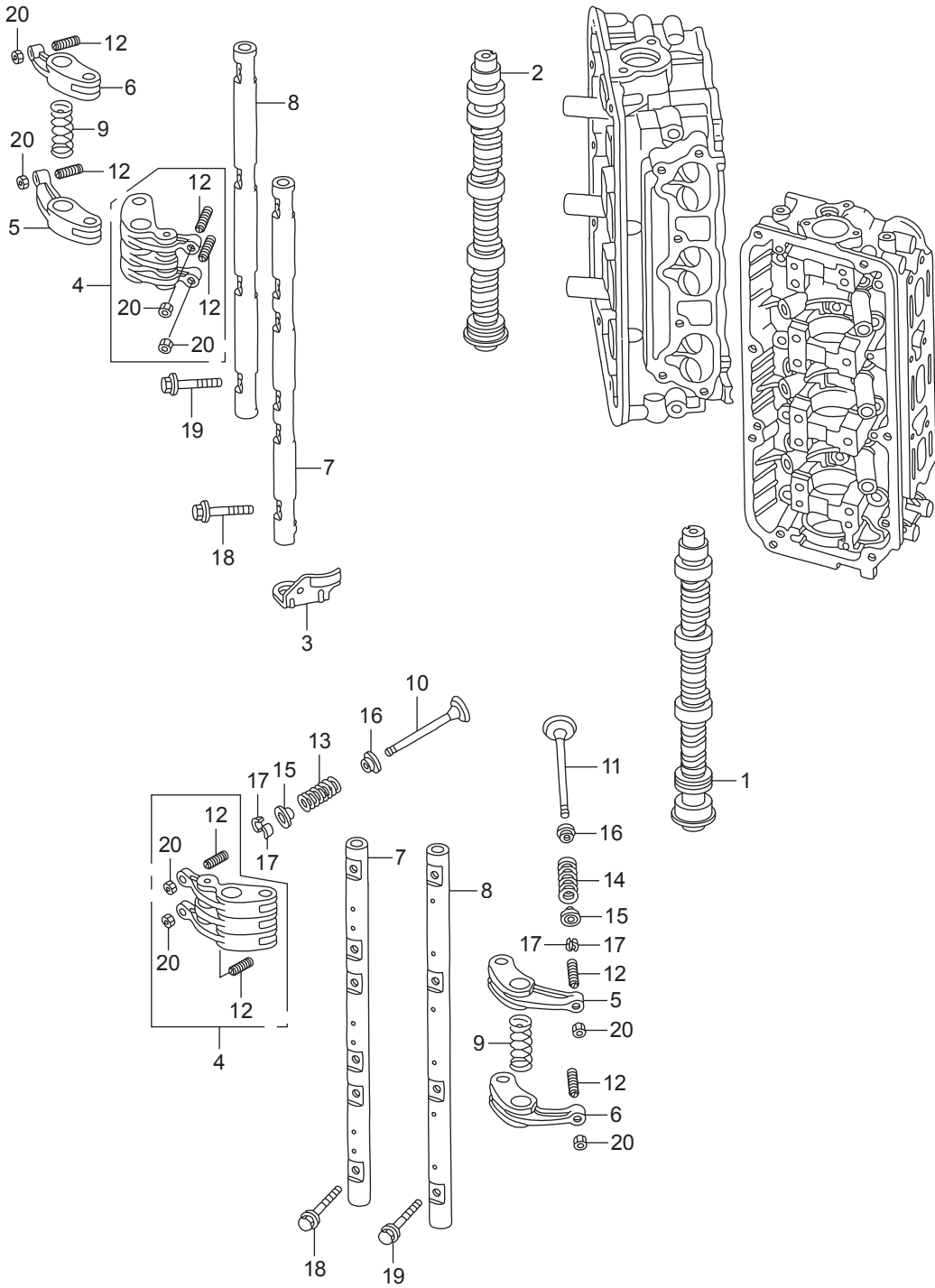
FR. 



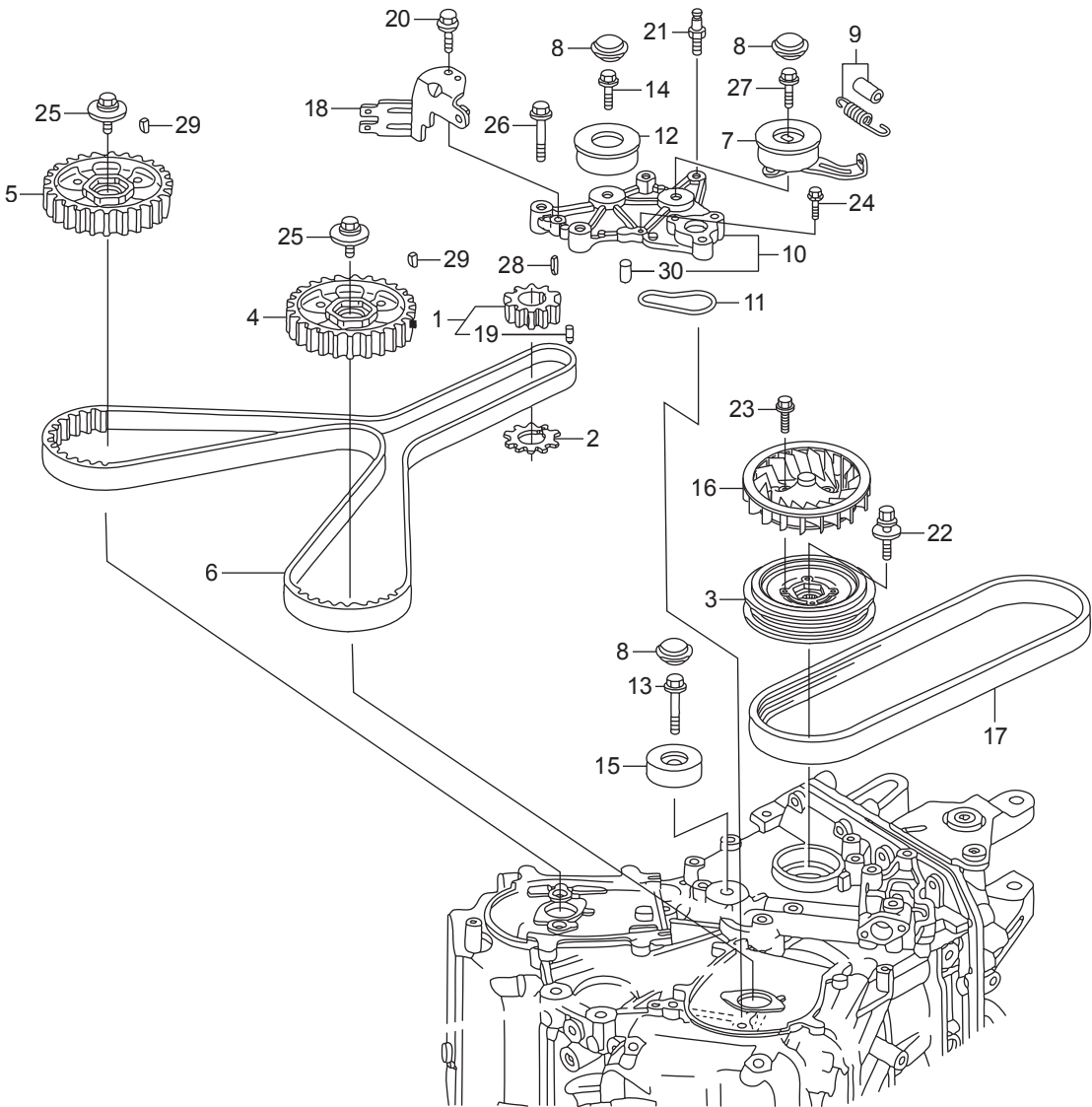
FR. 



FR. 

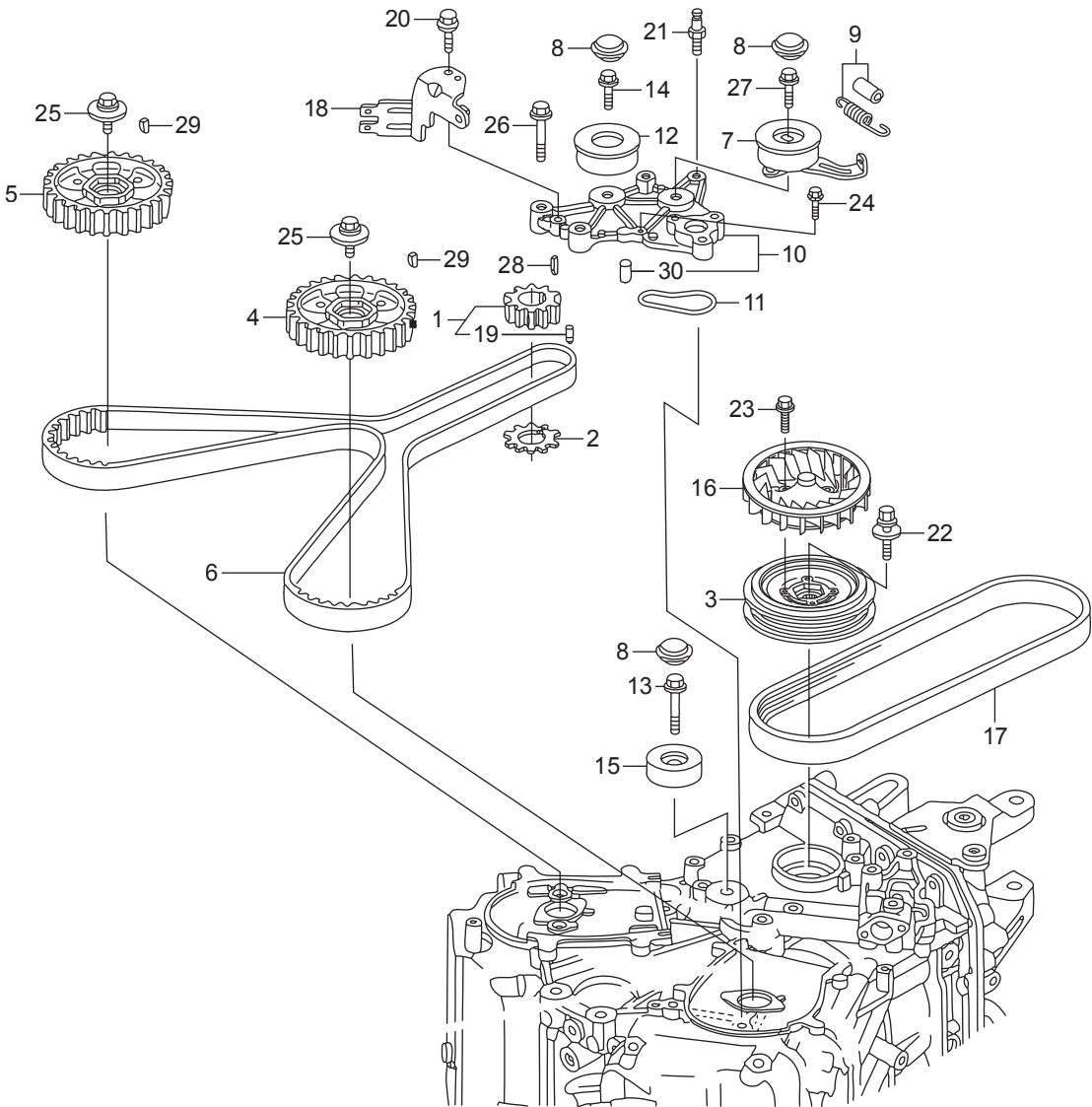


FR. →

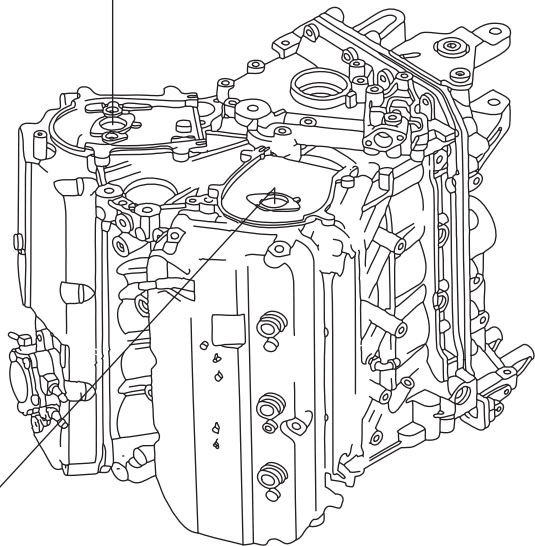
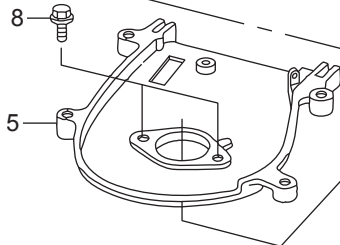
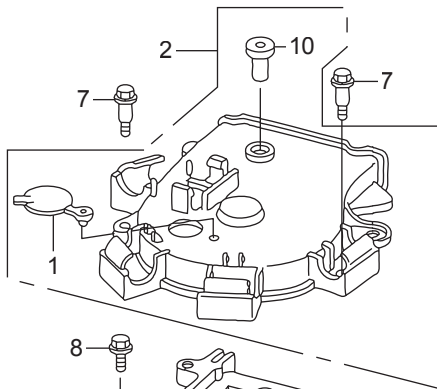
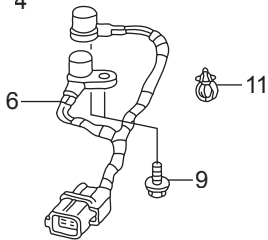
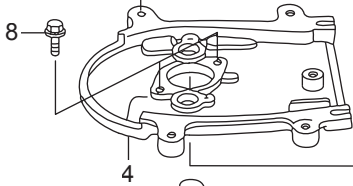
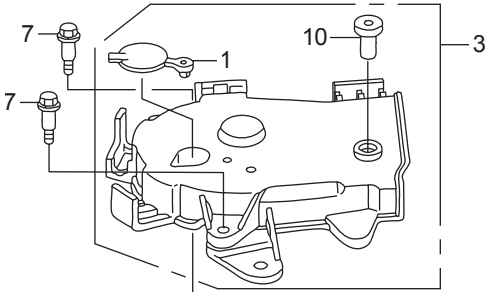


Ref.No.	Part No.	Description	Q' ty	Remarks	
			BFT250A		
E-13	1	HZY3-13621-C01	PULLEY, TIMING BELT DRIVE	1	
E-13	2	HZY3-13622-C00	PLATE, TIMING BELT GUIDE	1	
E-13	3	HZX2-13811-000	PULLEY, CRANKSHAFT	1	
E-13	4	HZY3-14261-C00	PULLEY COMP., R. TIMING BELT	1	DRIVEN
E-13	5	HZY3-14270-C00	PULLEY COMP., L. TIMING BELT	1	DRIVEN
E-13	6	HP8A-14400-A01	BELT, TIMING(197YU26 B-333)	1	
E-13	7	HZY3-14510-003	TENSIONER COMP., TIMING BELT	1	
E-13	8	HZY3-14515-000	CAP, TIMING BELT TENSIONER	3	
E-13	9	HZY3-14520-000	SPRING COMP., TIMING BELT	1	ADJUSTING
E-13	10	HZX2-14526-405ZA	BASE COMP., TIMING BELT	1	*NH8*DARK GRAY TENSIONER
E-13	11	HZY3-14529-000	O-RING, TIMING BELT TENSIONER	1	BASE
E-13	12	HZY3-14550-003	IDLER, TIMING BELT(KOYO SEIKO)	1	
E-13	13	HP8A-14551-A01	BOLT, IDLER	1	
E-13	14	HZY3-14553-003	BOLT, TIMING BELT IDLER A	1	
E-13	15	HZY3-14555-003	IDLER B, TIMING BELT	1	
E-13	16	HZX2-19511-000	FAN, COOLING	1	
E-13	17	HZY3-31638-003	BELT, A.C. GENERATOR	1	(6PK745 M-180)
E-13	18	HZY3-32111-010	BRACKET, COUPLER D	1	
E-13	19	HZV0-41122-000	PIN, VERTICAL SHAFT	1	
E-13	20	HZW9-90011-000	BOLT, FLANGE, 6X14(CT200)	1	
E-13	21	HZV5-90012-013	BOLT, TIMING BELT ADJUSTING	1	SPRING
E-13	22	HRJA-90017-003	BOLT-WASHER, 16X49	1	
E-13	23	HZY3-90017-000	BOLT, FLANGE, 6X16	4	
E-13	24	HZY3-90030-000	BOLT, FLANGE, 6X22	1	
E-13	25	HP8A-90031-A01	BOLT-WASHER, 12X35	2	
E-13	26	HZY3-90039-000	BOLT, FLANGE, 10X40	3	
E-13	27	HZY3-90040-000	BOLT, FLANGE, 10X43	1	
E-13	28	HRCA-90704-A00	KEY, 4.5X24	1	
E-13	29	HZY3-90741-000	KEY, SPECIAL	2	

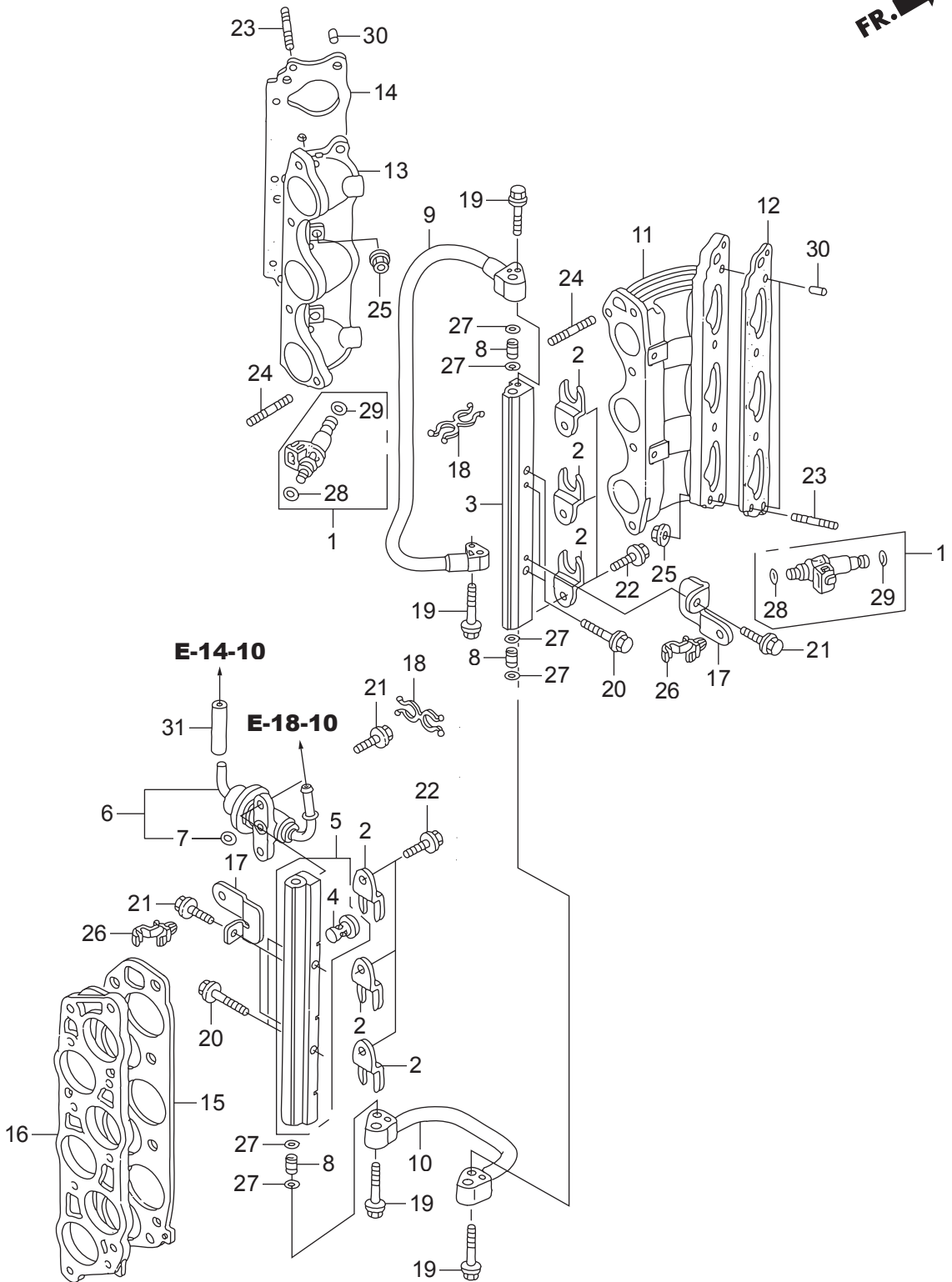
FR. →

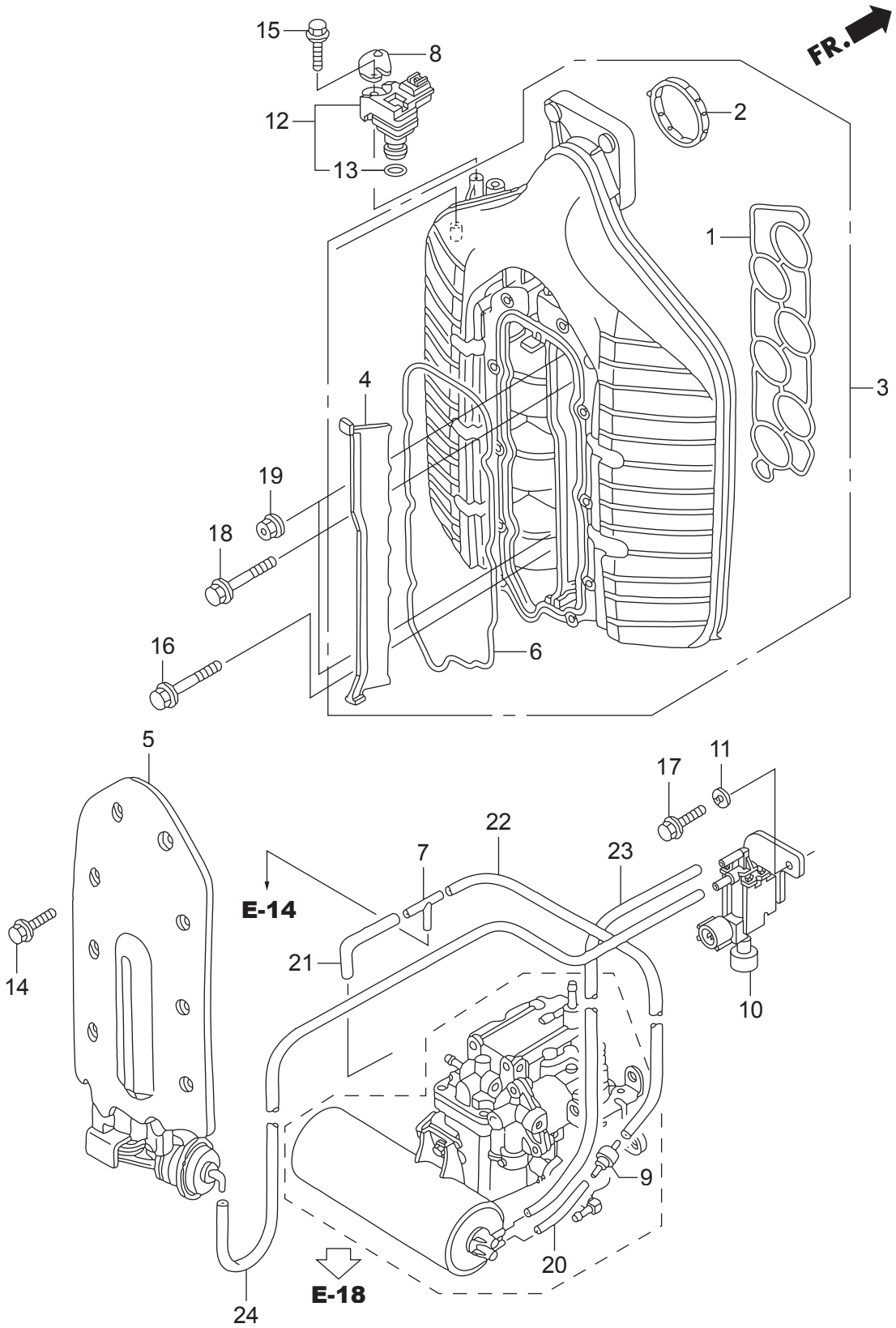


FR. 



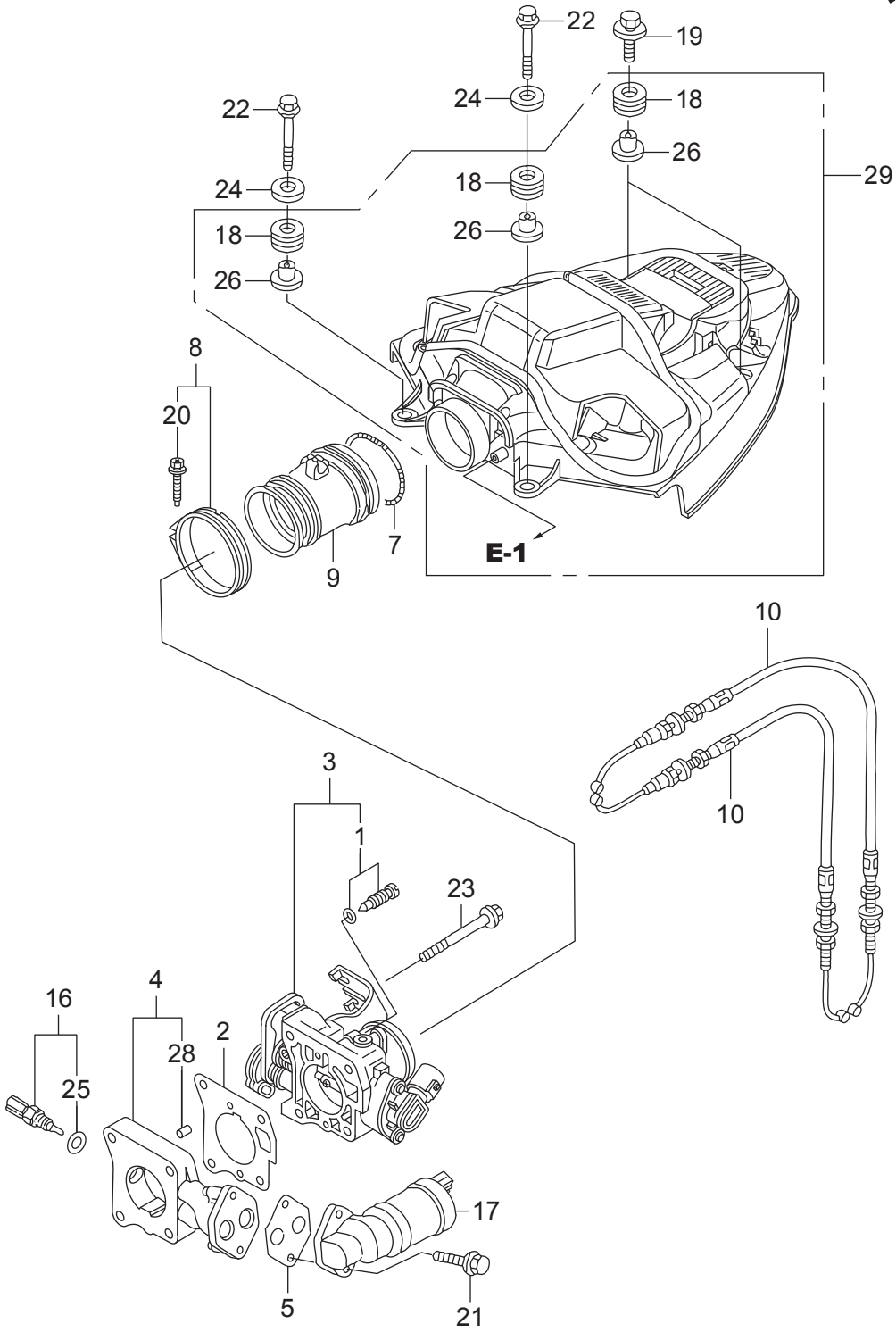
Ref.No.	Part No.	Description	Q' ty	Remarks	
			BFT250A		
E-14	1	HZY6-16450-003	INJECTOR ASSY., FUEL	6	
E-14	2	HZY3-16451-000	CLIP, INJECTOR	6	
E-14	3	HZY3-16611-A00	PIPE, R. FUEL	1	
E-14	4	HP5G-16614-003	MESH, FUEL FILTER	1	
E-14	5	HZY3-16620-A00	PIPE COMP., L. FUEL	1	
E-14	6	HZY3-16740-A01	REGULATOR ASSY., PRESSURE	1	
E-14	7	HPG7-16741-005	O-RING, PRESSURE REGULATOR	1	
E-14	8	HZY3-16752-A00	JOINT, FUEL PIPE	3	
E-14	9	HZY3-16755-003	HOSE COMP., FUEL	1	
E-14	10	HZY3-16757-003	HOSE COMP., FUEL JOINT	1	
E-14	11	HZY3-17051-A00	BASE, R. INJECTOR	1	
E-14	12	HRCA-17055-A01	GASKET, FR. INJECTOR BASE	1	
E-14	13	HZY3-17061-A00	BASE, L. INJECTOR	1	
E-14	14	HRCA-17065-A01	GASKET, RR. INJECTOR BASE	1	
E-14	15	HP8E-17105-A01	GASKET, INTAKE MANIFOLD	1	
E-14	16	HZY3-17108-000	SPACER, INTAKE MANIFOLD	1	
E-14	17	HZY3-32112-000	BRACKET, HARNESS CLIP A	4	
E-14	18	HSJ6-78419-003	CLIP D, SPEEDOMETER CABLE	2	
E-14	19	HZW9-90016-000	BOLT, FLANGE, 6X25	4	
E-14	20	HZW9-90019-000	BOLT, FLANGE, 6X35	4	
E-14	21	HZY3-90021-000	BOLT, FLANGE, 6X14	6	
E-14	22	HZY3-90042-000	BOLT, FLANGE, 6X10	6	
E-14	23	HZY3-90043-000	BOLT, STUD, 8X28	8	
E-14	24	HZY3-90044-000	BOLT, STUD, 8X45	2	
E-14	25	HZY3-90205-000	NUT, FLANGE, 8MM	8	
E-14	26	HSB2-90650-003	CLIP, WIRE HARNESS, 10MM	4	
E-14	27	HMJ0-91301-003	O-RING, 7.8X1.9(ARAI)	6	
E-14	28	HPLC-91301-000	O-RING, 7.47X3.6	6	LA,XA,XCA
E-14	29	HPNA-91302-003	O-RING, 7.45X3.61(NOK)	6	LA,XA,XCA



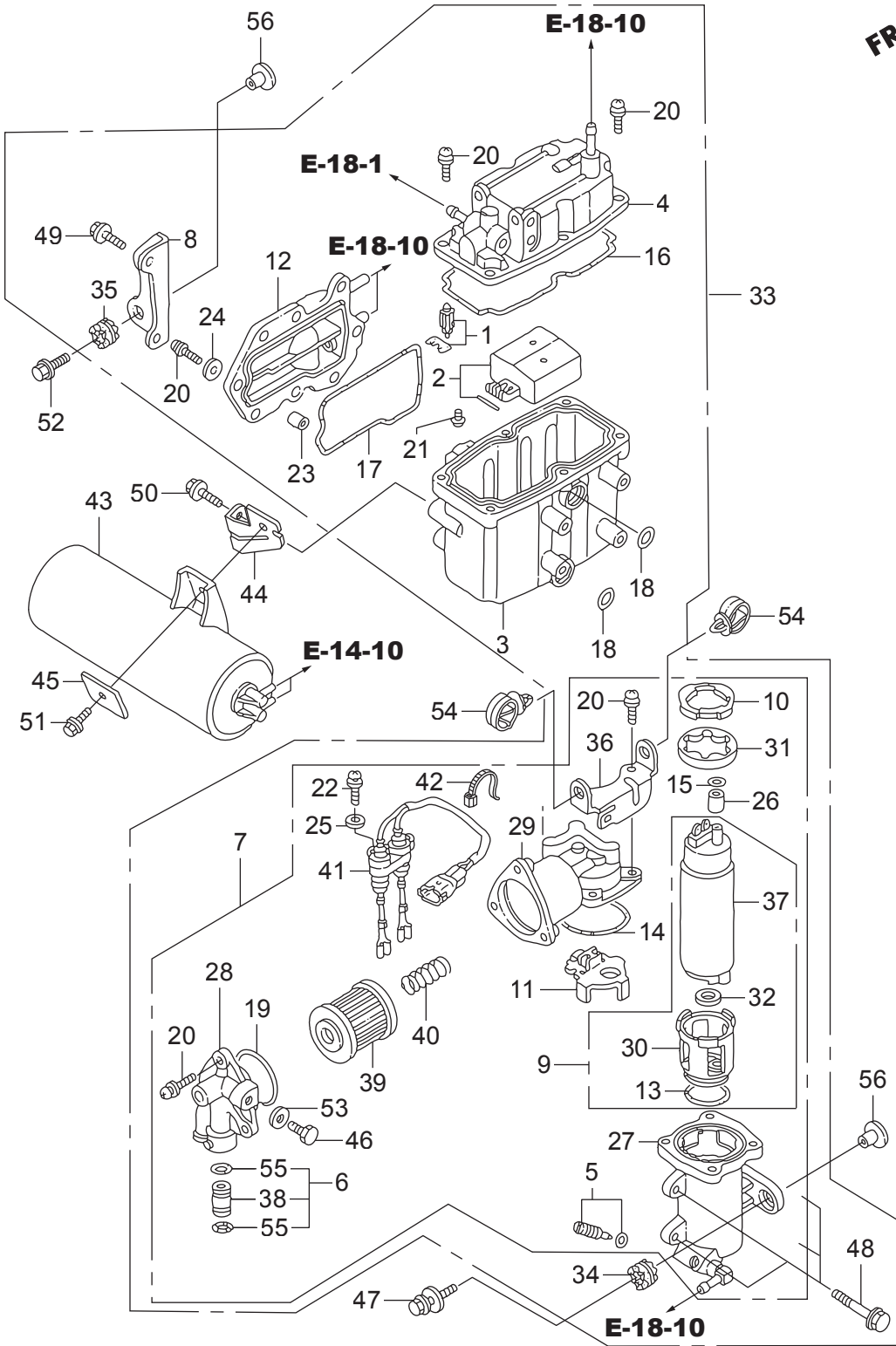


Ref.No.	Part No.	Description	Q' ty	Remarks	
			BFT250A		
E-14-10	1	HZY3-17105-004	GASKET, INTAKE MANIFOLD	1	
E-14-10	2	HZY3-17109-004	PACKING, THROTTLE BODY	1	
E-14-10	3	HZY3-17110-003	MANIFOLD COMP., INTAKE	1	
E-14-10	4	HZY3-17113-003	PLATE, INTAKE MANIFOLD CENTER	1	
E-14-10	5	HZY3-17130-003ZA	COVER COMP., INTAKE MANIFOLD	1	*NH8*DARK GRAY
E-14-10	6	HZY3-17138-004	PACKING, INTAKE MANIFOLD UP	1	COVER
E-14-10	7	HMG9-17201-000	JOINT A, VACUUM TUBE	1	
E-14-10	8	HZY3-32128-000	BRACKET, SENSOR CORD	1	
E-14-10	9	HPM4-36145-004	VALVE, CHECK	1	
E-14-10	10	HZY3-36163-003	VALVE ASSY., AIR BYPASS	1	
E-14-10	11	HP8D-36165-J00	WASHER, CONICAL SPRING(5)	1	
E-14-10	12	HRNA-37830-A01	SENSOR ASSY., MAP	1	
E-14-10	13	HPGK-37835-A01	O-RING	1	
E-14-10	14	HZY3-90023-000	BOLT, FLANGE, 6X22	10	
E-14-10	15	HZY3-90029-000	BOLT-WASHER, 5X18	1	
E-14-10	16	HZY3-90031-000	BOLT, FLANGE, 6X32	1	
E-14-10	17	HZY3-90058-000	BOLT, FLANGE, 5X10	1	
E-14-10	18	HZW4-90156-000	BOLT, FLANGE, 8X50	7	
E-14-10	19	HZY3-90205-000	NUT, FLANGE, 8MM	2	
E-14-10	20	HCO-95001-35040-40	TUBE, FUEL, 3.5X40	1	(HC-95001-35001-60M)
E-14-10	21	HCO-95001-35130-40	TUBE, FUEL, 3.5X130	1	(HC-95001-35001-60M)
E-14-10	22	HCO-95001-35540-40	TUBE, FUEL, 3.5X540	1	(HC-95001-35001-60M)
E-14-10	23	HCO-95001-35590-60	TUBE, FUEL, 3.5X590	1	(HC-95001-35001-60M)
E-14-10	24	HCO-95001-35600-40	TUBE, FUEL, 3.5X600	1	(HC-95001-35001-60M)

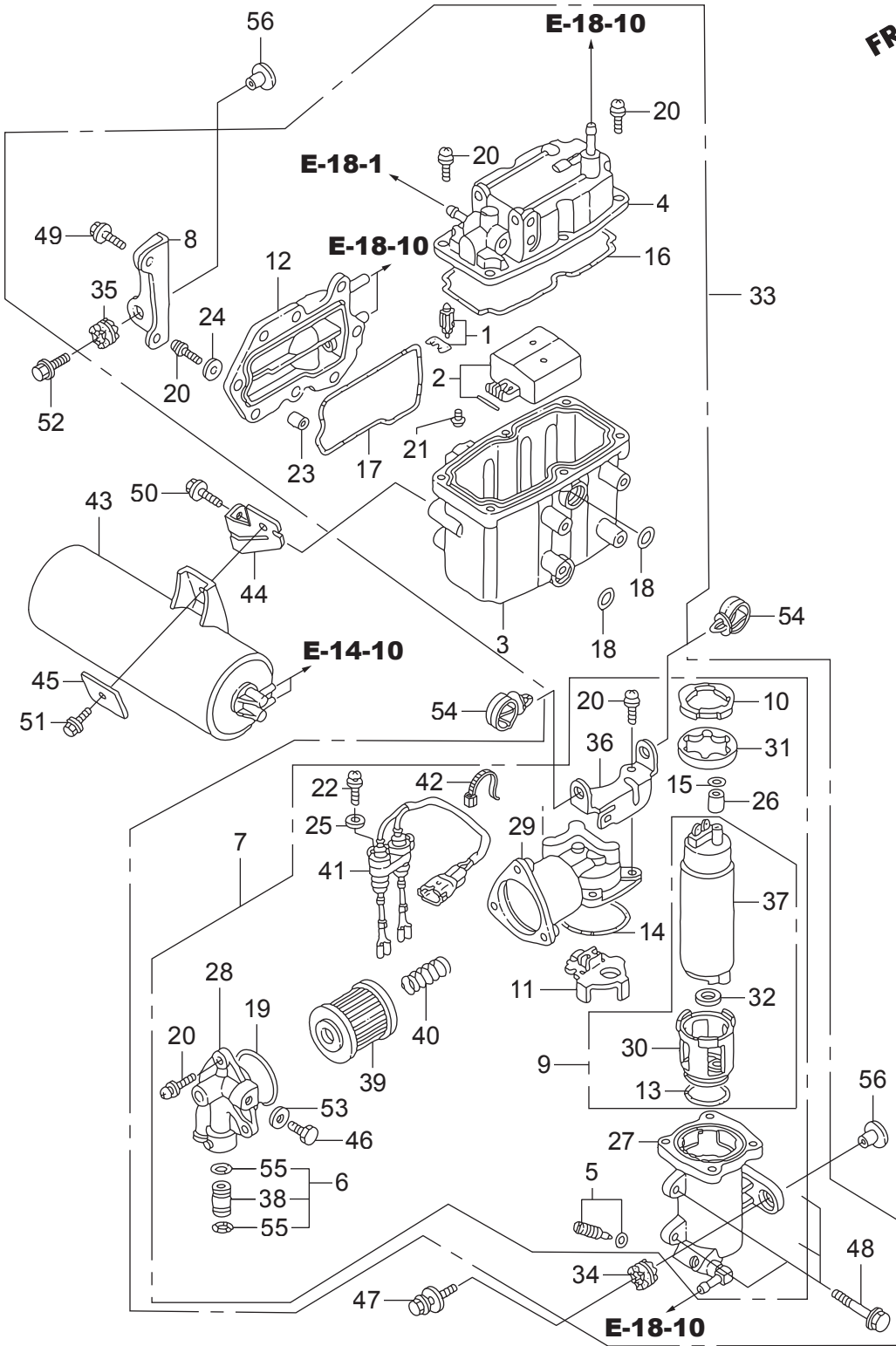
FR. 



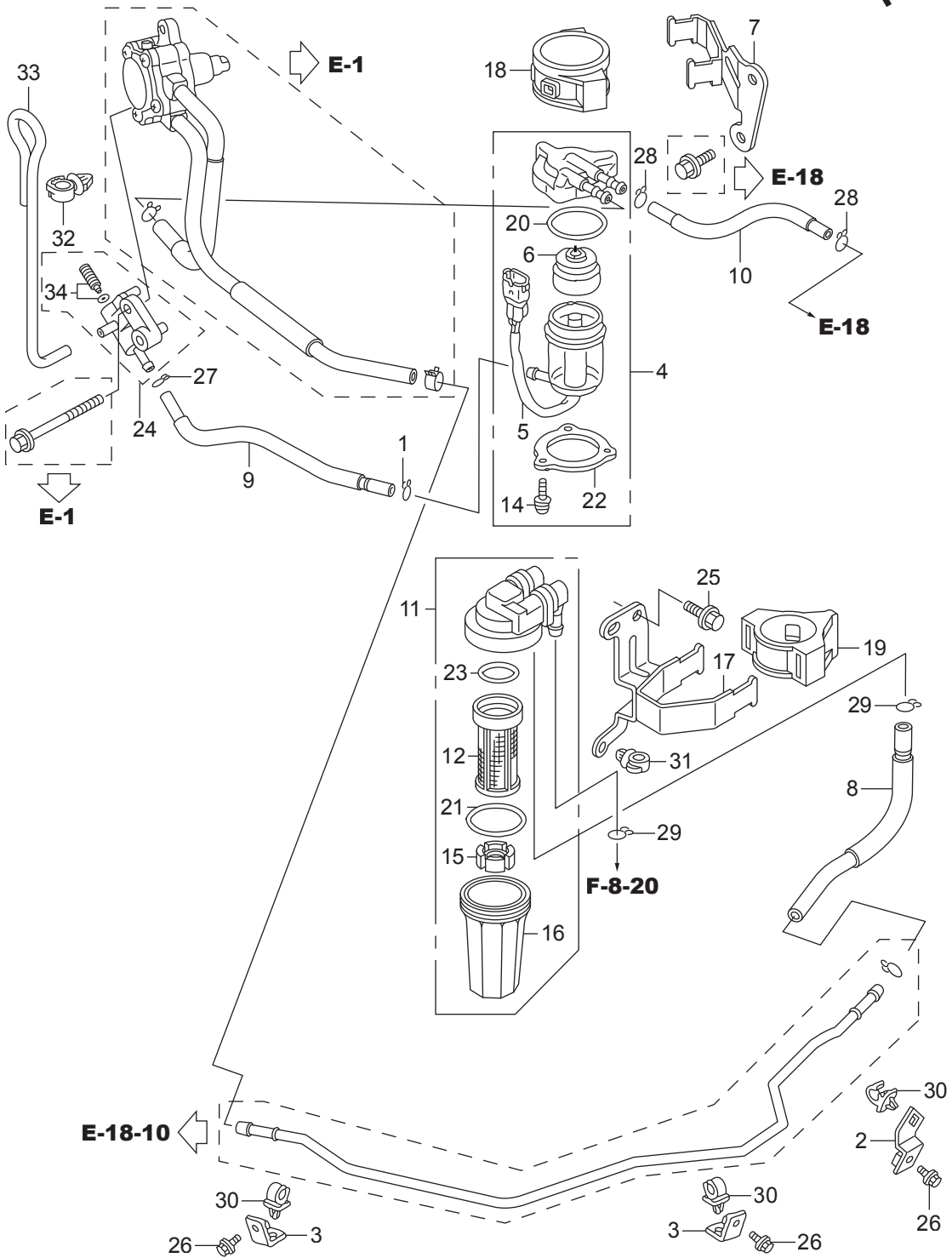
Ref.No.	Part No.	Description	Q' ty	Remarks	
			BFT250A		
E-15	1	HZY3-16016-003	SCREW SET	1	
E-15	2	HZY3-16176-000	GASKET, THROTTLE BODY	1	
E-15	3	HZY3-16400-A01	THROTTLE BODY ASSY.	1	
E-15	4	HZX2-16404-000	SPACER, THROTTLE BODY	1	
E-15	5	HZY3-16405-000	GASKET, EAC VALVE	1	
E-15	7	HPY3-17249-000	SPRING, AIR FLOW TUBE	1	
E-15	8	HZY9-17315-000	BAND, AIR FLOW	1	
E-15	9	HZX2-17374-000	GROMMET, SILENCER	1	
E-15	10	HZY3-17910-013	CABLE COMP., THROTTLE	2	
E-15	16	HZW5-35665-003	SENSOR ASSY., AIR TEMP	1	
E-15	17	HZY3-36550-003	VALVE ASSY., EAC	1	
E-15	18	HZV5-40102-000	GROMMET, UNDER CASE	4	
E-15	19	HZW1-90013-000	BOLT-WASHER, 6X25	2	
E-15	20	HZY9-90017-000	BOLT-WASHER, 5X30	1	
E-15	21	HZY3-90030-000	BOLT, FLANGE, 6X22	2	
E-15	22	HZY3-90034-000	BOLT, FLANGE, 6X60	2	
E-15	23	HZY3-90037-000	BOLT, FLANGE, 8X65	4	
E-15	24	HZY3-90508-000	WASHER, PLAIN, 6MM	2	
E-15	25	HP0A-91303-A02	O-RING	1	
E-15	26	HZV5-91553-010	COLLAR, C.D.I. UNIT CASE	4	
E-15	28	HCO-94301-06100	DOWEL PIN, 6X10	2	
E-15	29	HZX2-19540-010	COVER ASSY., COOLING FAN	1	



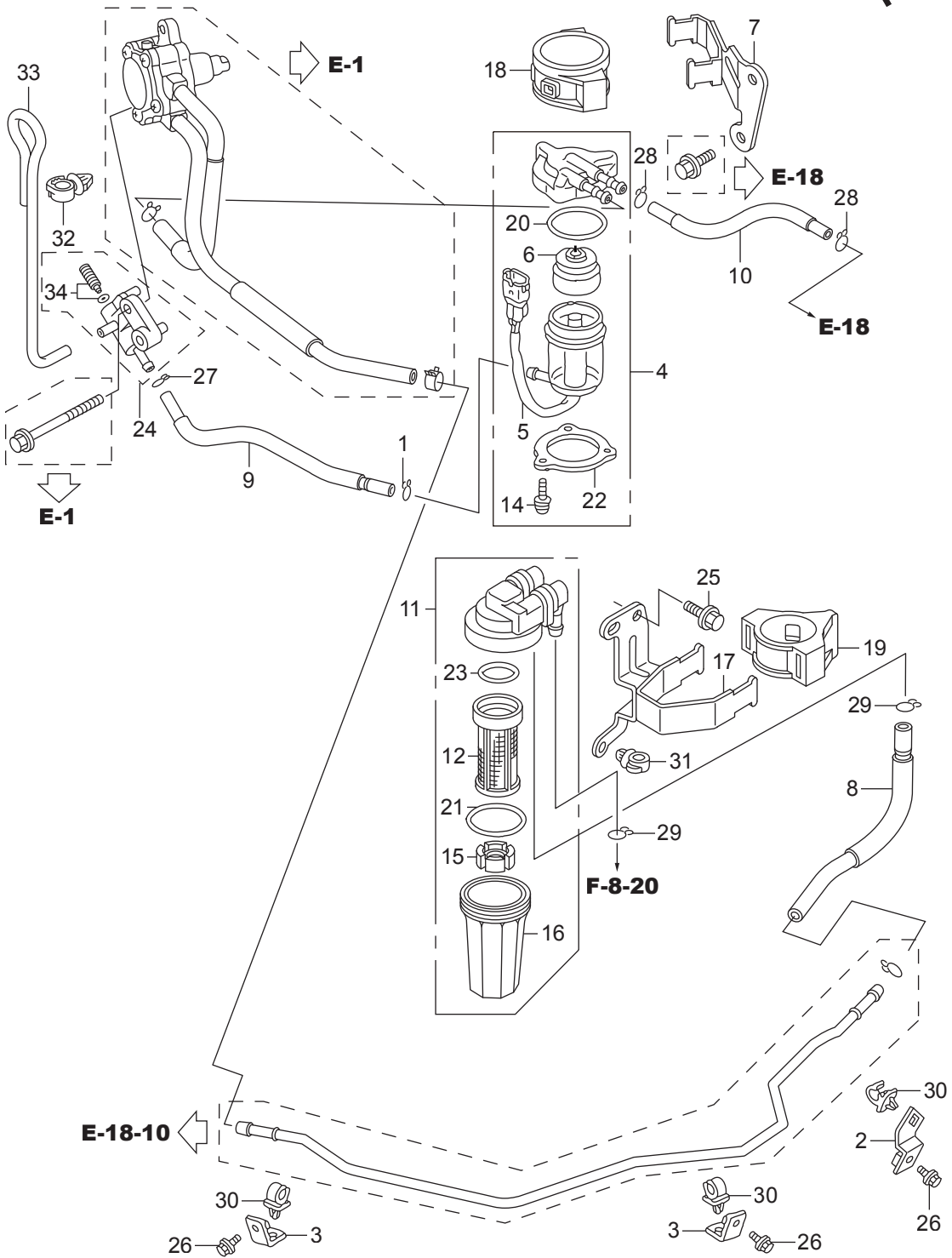
Ref.No.	Part No.	Description	Q' ty	Remarks	
			BFT250A		
E-18	1	HZY3-16011-A01	VALVE SET, FLOAT	1	
E-18	2	HZY3-16013-000	FLOAT SET	1	
E-18	3	HZY3-16015-000	BODY	1	
E-18	4	HZX2-16020-003	COVER COMP.	1	
E-18	5	HZY3-16024-000	SCREW SET, DRAIN	1	
E-18	6	HZY3-16026-000	JOINT SET	1	
E-18	7	HZX2-16030-003	PUMP UNIT SET A, FUEL	1	
E-18	8	HZY3-16031-010	STAY, PLATE	1	
E-18	9	HZY3-16036-003	PUMP UNIT SET B, FUEL	1	
E-18	10	HZY3-16041-000	PLATE	1	
E-18	11	HZY3-16042-000	HOLDER	1	
E-18	12	HZY3-16061-000	COVER, WATER JACKET	1	
E-18	13	HZY3-16072-000	O-RING	1	
E-18	14	HZY3-16073-000	O-RING	1	
E-18	15	HZY3-16074-000	O-RING	1	
E-18	16	HZY3-16075-000	O-RING	1	
E-18	17	HZY3-16076-000	O-RING	1	
E-18	18	HZY3-16077-000	O-RING	2	
E-18	19	HZY3-16078-000	O-RING	1	
E-18	20	HZW5-16081-010	SCREW-WASHER	21	
E-18	21	HZY3-16082-000	SCREW, PAN	2	
E-18	22	HZY3-16083-000	SCREW, WASHER	1	
E-18	23	HZW5-16086-000	COLLAR, SET	8	
E-18	24	HZW5-16087-000	WASHER, PLAIN	8	
E-18	25	HZY3-16087-000	WASHER, PLAIN	1	
E-18	26	HZY3-16088-000	COLLAR	1	
E-18	27	HZX2-16701-003	CASE COMP., PUMP	1	
E-18	28	HZY3-16708-000	COVER, PUMP	1	
E-18	29	HZW5-16715-023	COVER, PUMP(A)	1	



Ref.No.	Part No.	Description	Q' ty	Remarks	
			BFT250A		
E-18	30	HZY6-16718-013	INSULATOR COMP.	1	
E-18	31	HZY3-16721-000	INSULATOR	1	
E-18	32	HZY6-16723-003	RING	1	
E-18	33	HZX2-16730-003	SEPARATOR ASSY., VAPOR	1	
E-18	34	HZW5-16733-000	GROMMET, VAPOR SEPARATOR	1	
E-18	35	HZY3-16733-000	GROMMET, VAPOR SEPARATOR	2	
E-18	36	HZY3-16734-000	STAY, PLATE	1	
E-18	37	HZY3-16735-004	PUMP UNIT, FUEL	1	
E-18	38	HZY3-16752-000	JOINT, FUEL PIPE	1	
E-18	39	HZY3-16911-010	SCREEN COMP., FUEL STRAINER	1	
E-18	40	HZY3-16913-000	SPRING, SET	1	
E-18	41	HZX2-32166-003	HARNESS COMP.	1	
E-18	42	HZW5-32168-003	BAND	1	
E-18	43	HPR7-36361-A01	TANK COMP., VACUUM	1	
E-18	44	HZY3-36362-000	STAY, VACUUM TANK	1	
E-18	45	HZY3-36620-000	PLATE	1	
E-18	46	HPP4-90009-E01	BOLT, SEALING, 6MM	1	
E-18	47	HZW1-90014-000	BOLT-WASHER, 8X35	1	
E-18	48	HZW9-90016-000	BOLT, FLANGE, 6X25	4	
E-18	49	HZY3-90017-000	BOLT, FLANGE, 6X16	2	
E-18	50	HZY3-90021-000	BOLT, FLANGE, 6X14	2	
E-18	51	HZY3-90050-000	BOLT, FLANGE, 6X12	1	
E-18	52	HZY3-90054-000	BOLT, FLANGE, 8X35	2	
E-18	53	HPD6-90430-003	WASHER, SEALING, 6MM	1	
E-18	54	HZB7-90691-003	CLIP, HARNESS	2	
E-18	55	HMJ0-91301-003	O-RING, 7.8X1.9(ARAI)	2	
E-18	56	HZW1-91554-000	COLLAR, 8.5X14.5	3	

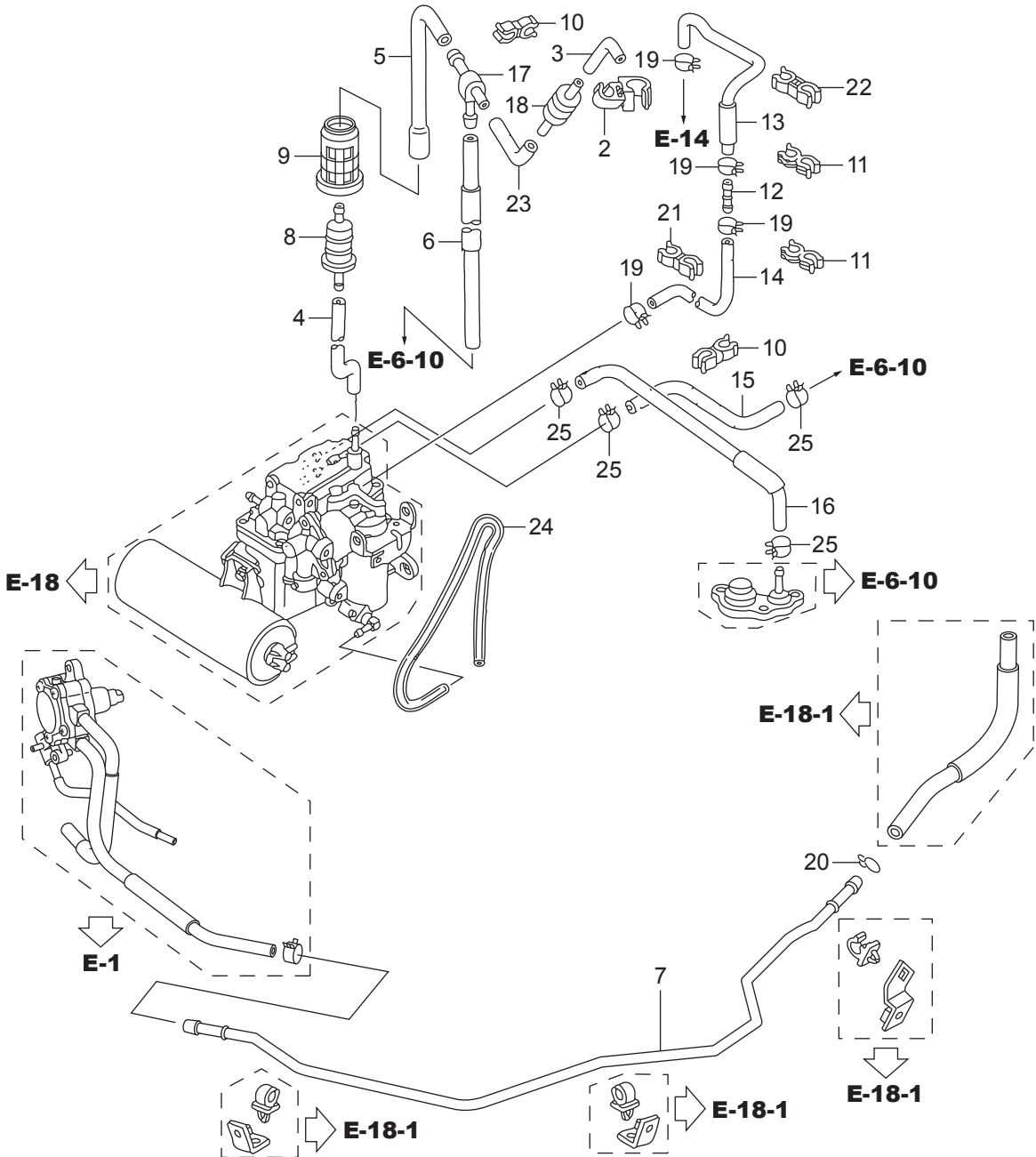


Ref.No.	Part No.	Description	Q' ty	Remarks	
			BFT250A		
E-18-1	1	HGHB-16163-600	CLIP, TUBE	1	
E-18-1	2	HZY3-16753-000	STAY, FUEL PIPE A	1	
E-18-1	3	HZY3-16754-000	STAY, FUEL PIPE B	2	
E-18-1	4	HZX2-16800-003	SEPARATOR ASSY., WATER	1	
E-18-1	5	HZX2-16805-003	CUP SET, WATER SEPARATOR	1	
E-18-1	6	HZY3-16807-003	BUFFER, PLATE	1	
E-18-1	7	HZX2-16814-000	STAY, WATER SEPARATOR	1	
E-18-1	8	HZX2-16860-C00	TUBE COMP. B, FUEL	1	
E-18-1	9	HZX2-16880-C00	TUBE COMP. D, FUEL	1	
E-18-1	10	HZX2-16890-C00	TUBE COMP. E, FUEL	1	
E-18-1	11	HZX2-16900-003	STRAINER ASSY., FUEL	1	
E-18-1	12	HZZ5-16901-003	FILTER	1	
E-18-1	14	HZY3-16904-003	SCREW, PAN, 5X12	3	
E-18-1	15	HZZ5-16906-003	FLOAT	1	
E-18-1	16	HZX2-16912-003	CUP	1	
E-18-1	17	HZX2-16914-000	STAY, FUEL STRAINER	1	
E-18-1	18	HZY3-16915-010	SUSPENSION, STRAINER	1	
E-18-1	19	HZZ5-16915-000	SUSPENSION, STRAINER	1	
E-18-1	20	HZY3-16918-003	O-RING	1	
E-18-1	21	HZZ5-16918-003	O-RING	1	
E-18-1	22	HZY3-16919-003	PLATE	1	
E-18-1	23	HZZ5-16919-003	O-RING	1	
E-18-1	24	HZX2-16940-003	COCK ASSY., FUEL DRAIN	1	
E-18-1	25	HZW9-90014-000	BOLT, FLANGE, 6X10	2	
E-18-1	26	HZY3-90056-000	BOLT, FLANGE, 6X12	3	
E-18-1	27	H921-90602-000	CLIP, TUBE(B8)	1	
E-18-1	28	HZV0-90604-000	CLIP, TUBE(B12)	2	
E-18-1	29	HZV4-90605-000	CLIP, TUBE(B12.5)	2	LA,XA,XCA
E-18-1	30	HKG4-90659-000	CLAMP, WIRE, 8MM	3	



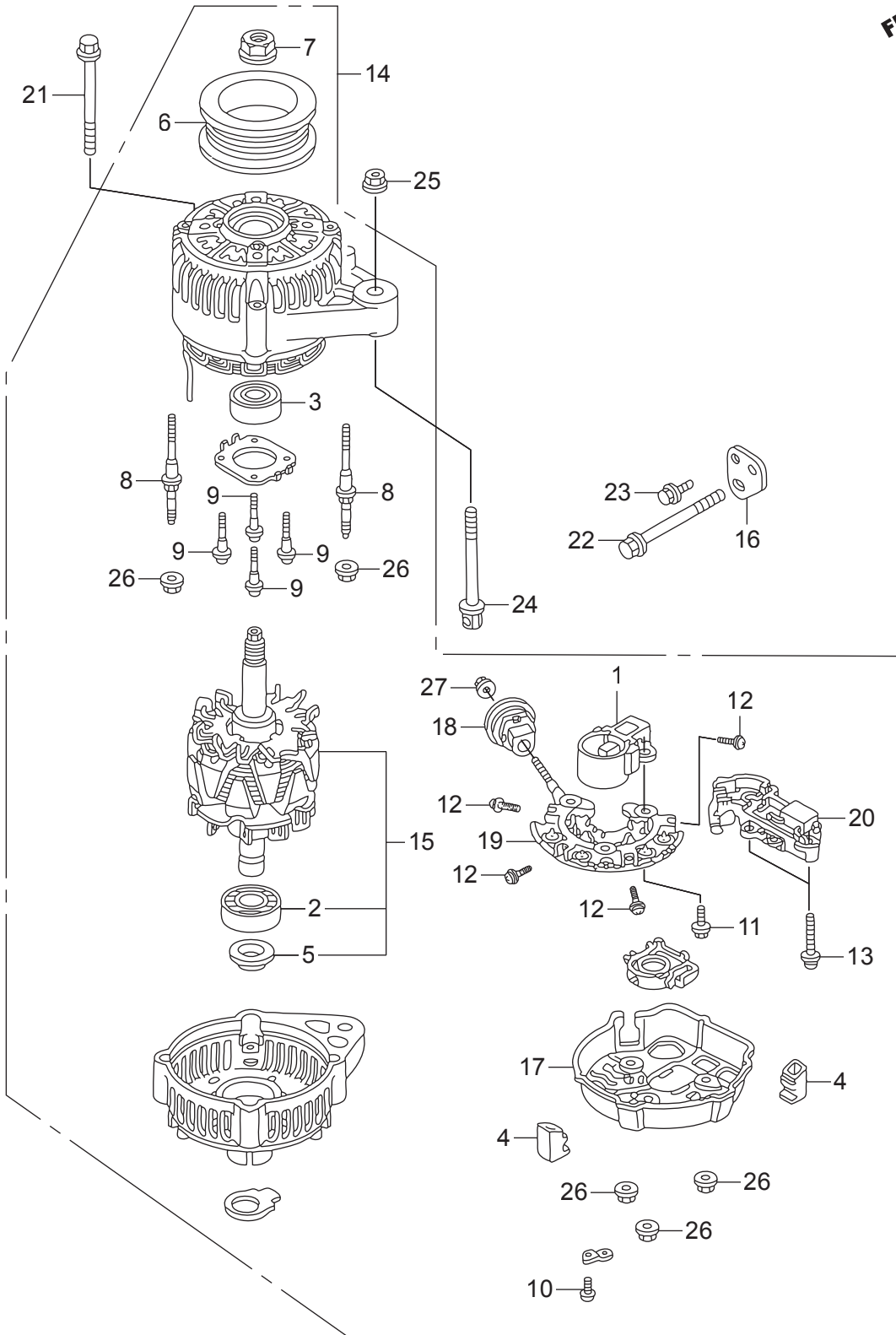
E-18-10 PIPING

FR. →

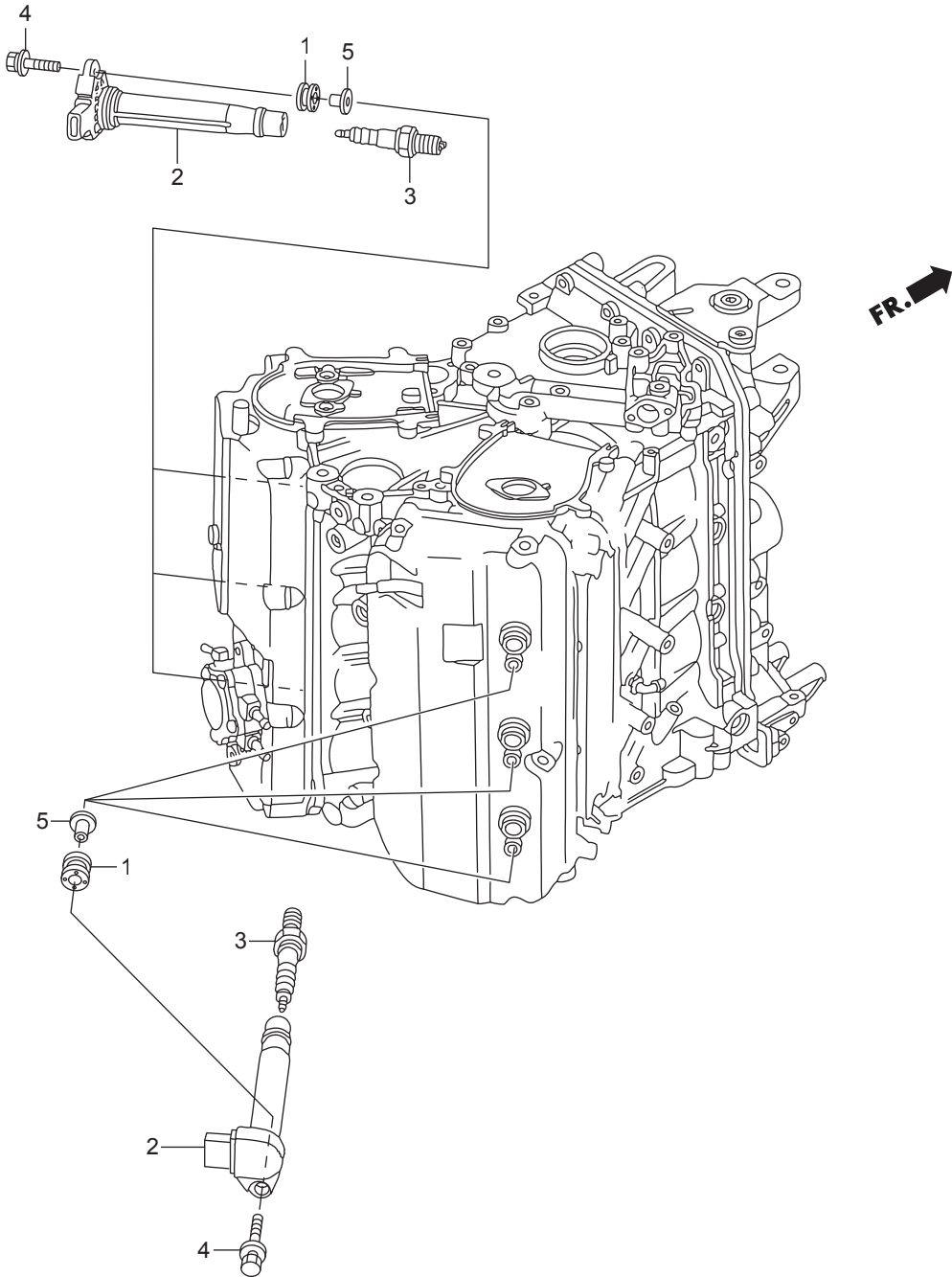


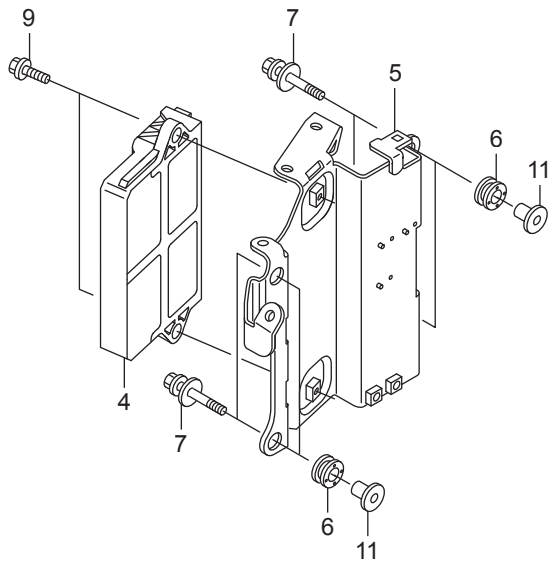
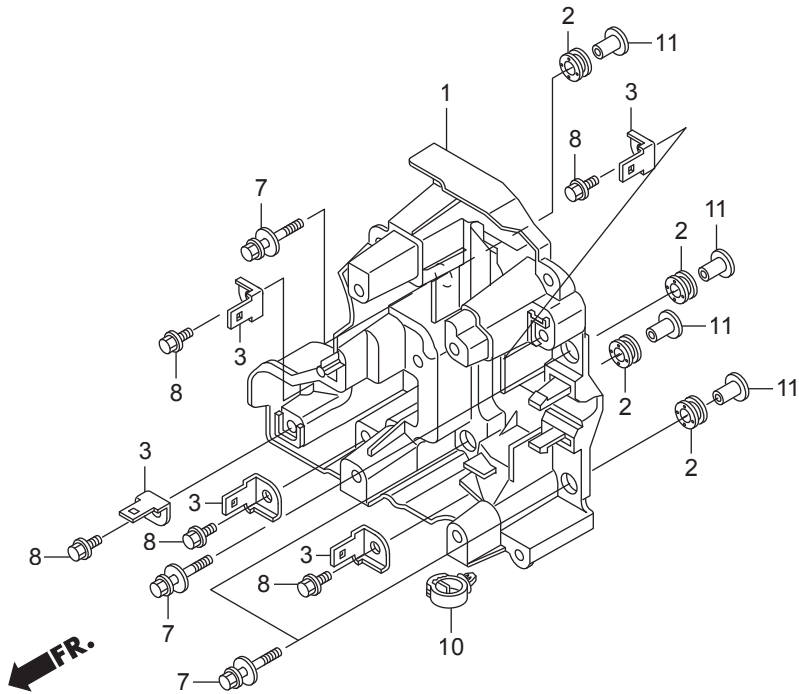
Ref.No.	Part No.	Description	Q' ty	Remarks	
			BFT250A		
E-18-10	2	HZY3-16193-A00	CLAMP, CHECK VALVE	1	
E-18-10	3	HZY3-16196-A00	TUBE, CHECK VALVE	1	
E-18-10	4	HZY3-16197-000	TUBE A, AIR VENT	1	
E-18-10	5	HZY3-16198-A00	TUBE B, AIR VENT	1	
E-18-10	6	HZY3-16199-A00	TUBE COMP., AIR VENT	1	
E-18-10	7	HZY3-16751-000	PIPE, FUEL	1	
E-18-10	8	H759-16911-003	STRAINER, FUEL PUMP	1	
E-18-10	9	HZW5-16915-000	SUSPENSION, STRAINER	1	
E-18-10	10	HVM0-16965-771	CLAMP, HOSE	2	
E-18-10	11	HKY7-17450-740	CLIP, TUBE	2	
E-18-10	12	HZY3-17721-000	JOINT, FUEL RETURN	1	
E-18-10	13	HZY3-17723-A01	HOSE A, PRESSURE REGULATOR	1	RETURN
E-18-10	14	HZY3-17724-010	HOSE B, PRESSURE REGULATOR	1	RETURN
E-18-10	15	HZY3-19258-010	TUBE, WATER IN.	1	
E-18-10	16	HZY3-19259-000	TUBE, WATER OUTLET	1	
E-18-10	17	HZY6-19269-000	T-JOINT	1	
E-18-10	18	HZY6-36135-003	VALVE, CHECK	1	
E-18-10	19	HZW5-90601-030	CLAMP, TUBE(D10.7)	4	
E-18-10	20	HZV0-90604-000	CLIP, TUBE(B12)	1	
E-18-10	21	HMB1-90655-921	CLIP, WIRE	1	
E-18-10	22	HSL0-91592-A51	CLAMP, FUEL TUBE	1	
E-18-10	23	HCO-95001-35055-40	TUBE, FUEL, 3.5X55	1	(HC-95001-35001-60M)
E-18-10	24	HCO-95003-05060-31	TUBE, VINYL, 3.5X6.5X600	1	(HC-95003-05001-60M)
E-18-10	25	HZY3-90601-030	CLAMP, TUBE(D10.5)	4	

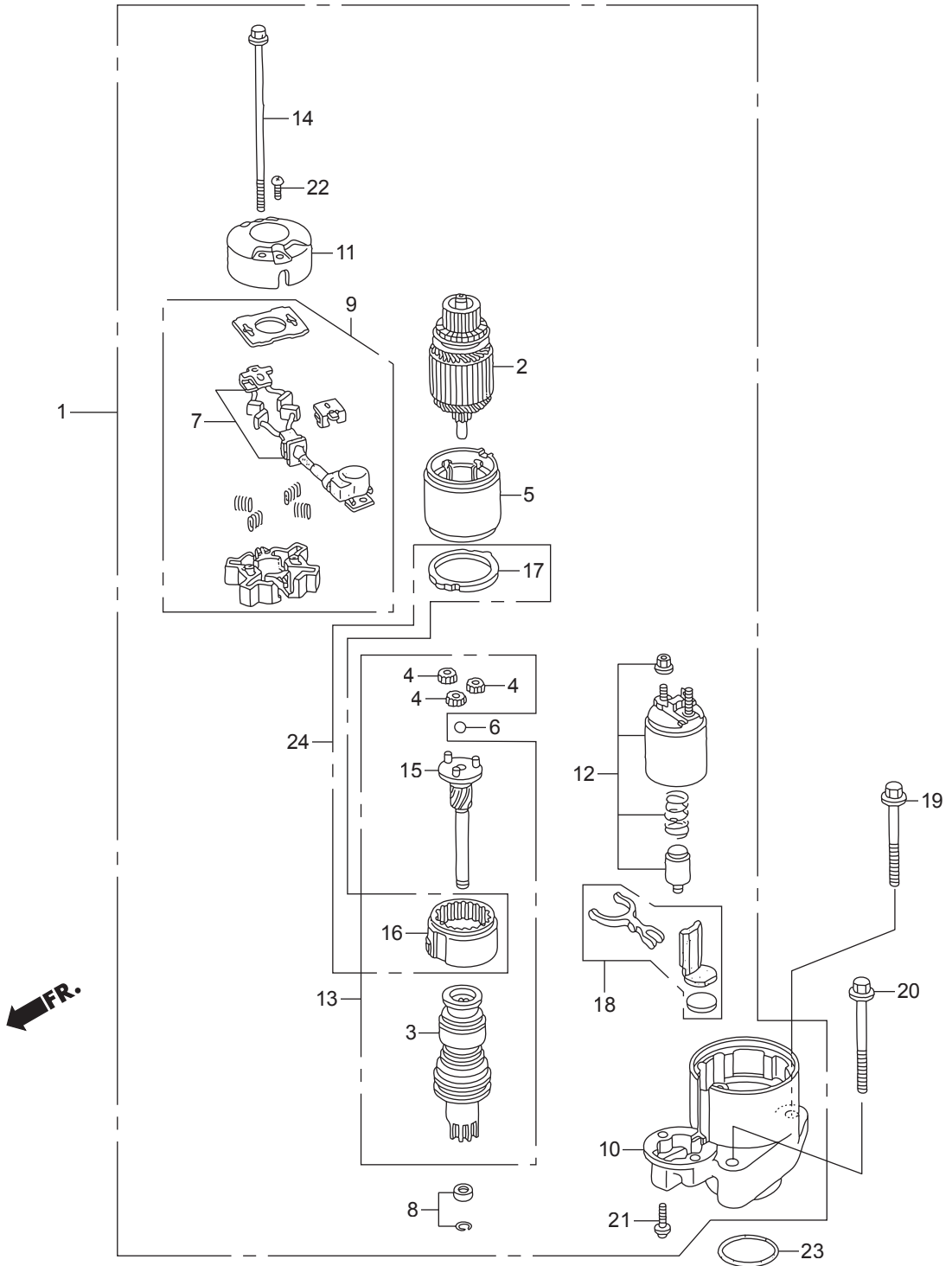
FR. →



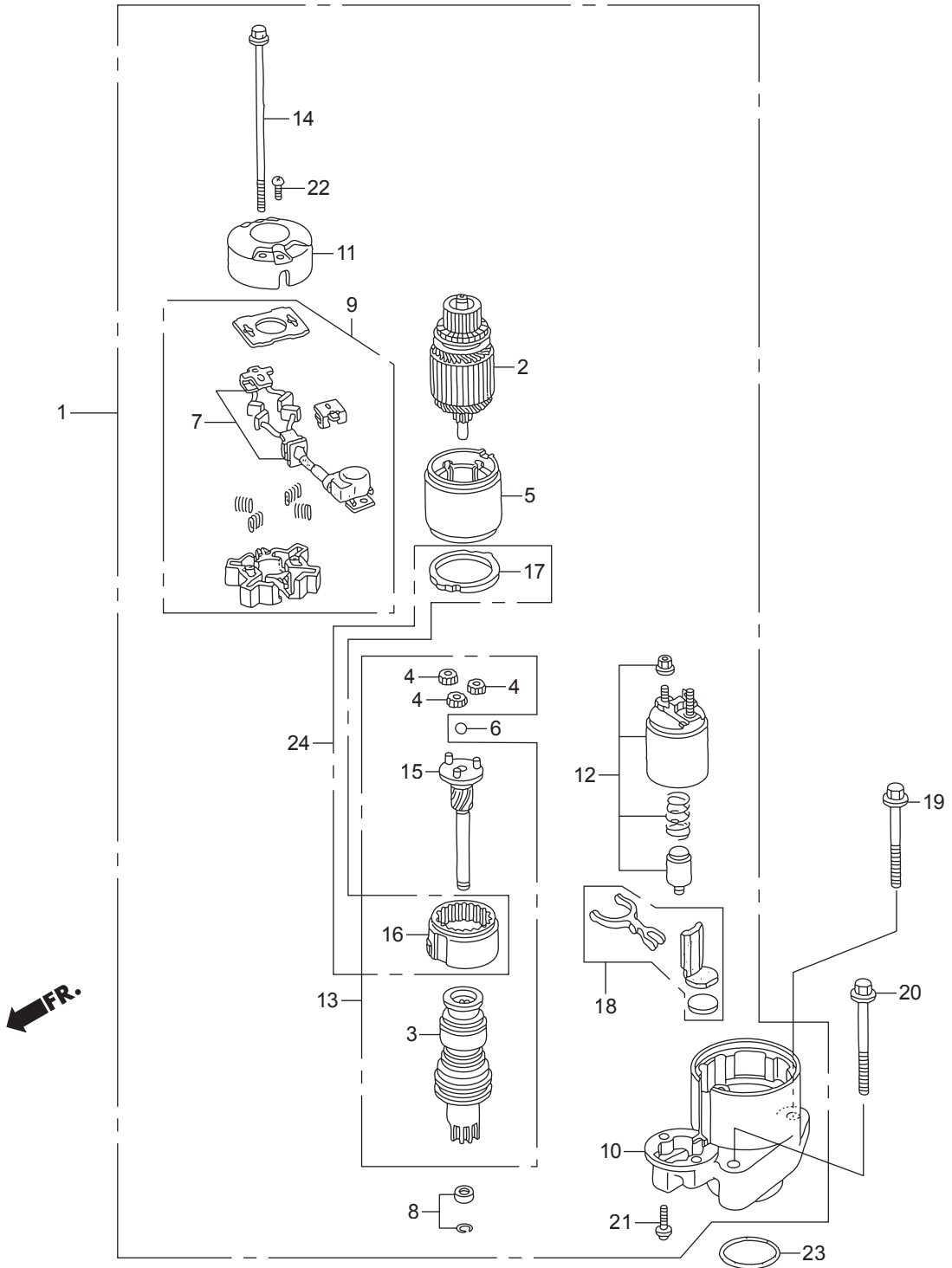
Ref.No.	Part No.	Description	Q' ty	Remarks	
			BFT250A		
E-19	1	HPR7-31105-A01	HOLDER ASSY., BRUSH	1	
E-19	2	HPT0-31111-003	BEARING, RR. GENERATOR	1	
E-19	3	HPT0-31114-013	BEARING, FR. GENERATOR	1	
E-19	4	HPT0-31118-003	BUSH, INSULATION	4	
E-19	5	HPD1-31138-004	COVER, BEARING	1	
E-19	6	HP13-31141-003	PULLEY	1	
E-19	7	HPD1-31142-004	NUT, PULLEY LOCK	1	
E-19	8	HPD1-31145-004	BOLT, STUD, 6X68	4	
E-19	9	HPT0-31146-003	SCREW	4	
E-19	10	HP13-31147-003	SCREW	1	
E-19	11	HPT0-31147-003	SCREW-WASHER	3	
E-19	12	HP13-31148-003	SCREW, WAVE WASHER	4	
E-19	13	HPT0-31148-003	SCREW, WAVE WASHER	2	
E-19	14	HZY3-31630-003	GENERATOR ASSY., A.C.	1	LA,XA,XCA
E-19	14	HZY3-31630-013	GENERATOR ASSY., A.C.	1	XXA,XXCA
E-19	15	HZY3-31631-003	ROTOR ASSY.	1	
E-19	16	HZY3-31637-000	STAY, A.C. GENERATOR	1	
E-19	17	HZY3-31639-003	END COVER, RR.	1	
E-19	18	HZY3-31694-003	BUSH, INSULATION	1	
E-19	19	HZY3-31710-003	RECTIFIER ASSY.	1	
E-19	20	HZY3-31750-003	REGULATOR ASSY.	1	
E-19	21	HZX2-90002-000	BOLT, FLANGE, 10X90	1	
E-19	22	HZW5-90011-010	BOLT, SPECIAL ADJUSTER	1	
E-19	23	HZY3-90017-000	BOLT, FLANGE, 6X16	1	
E-19	24	HZY3-90055-000	BOLT, TENSIONER	1	
E-19	25	HZW5-90203-010	NUT, FLANGE, 8MM	1	
E-19	26	HPD1-90231-014	NUT-WASHER, 5MM	7	
E-19	27	HCO-94001-06080-0S	NUT, HEX., 6MM	1	

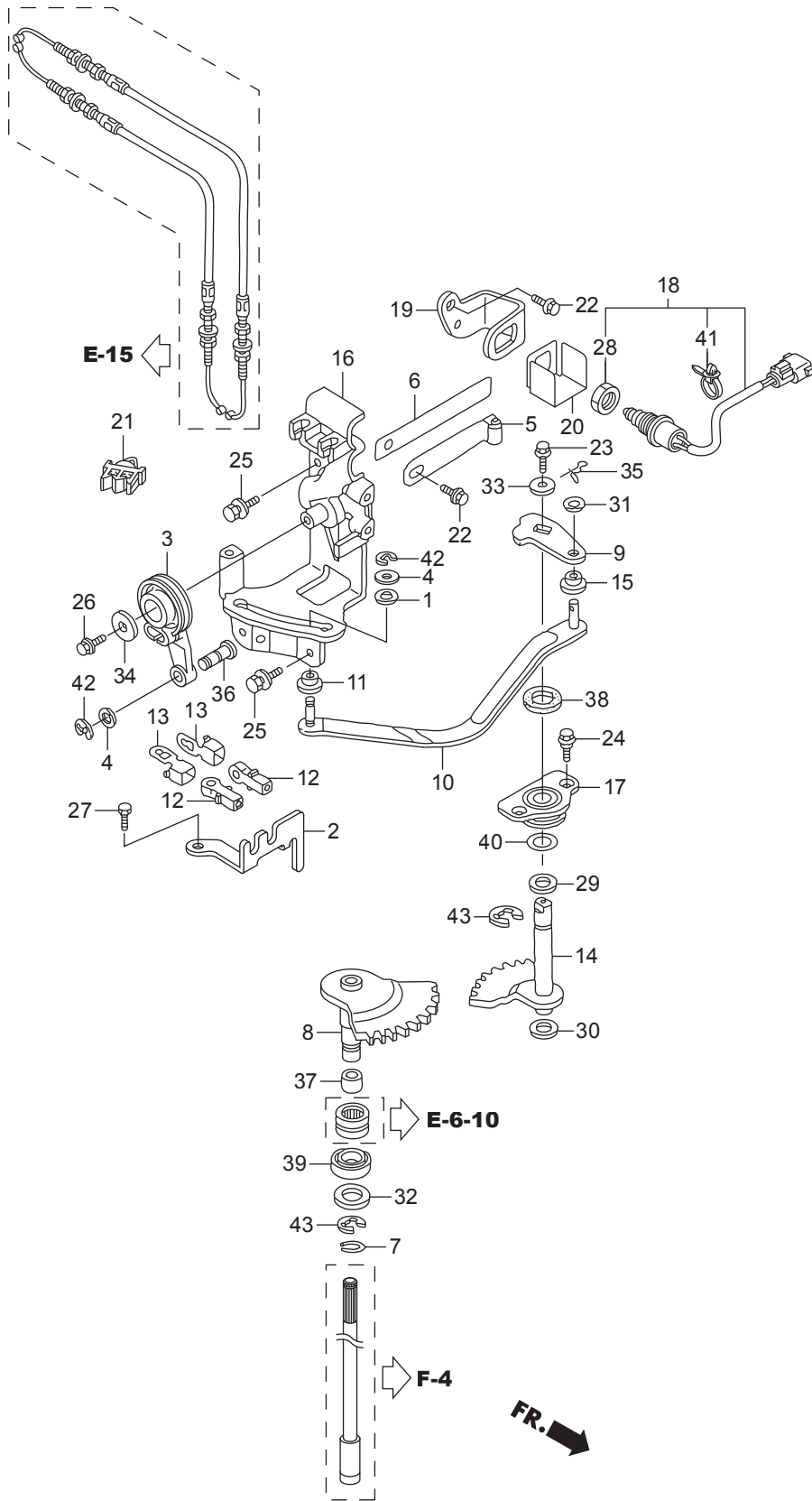




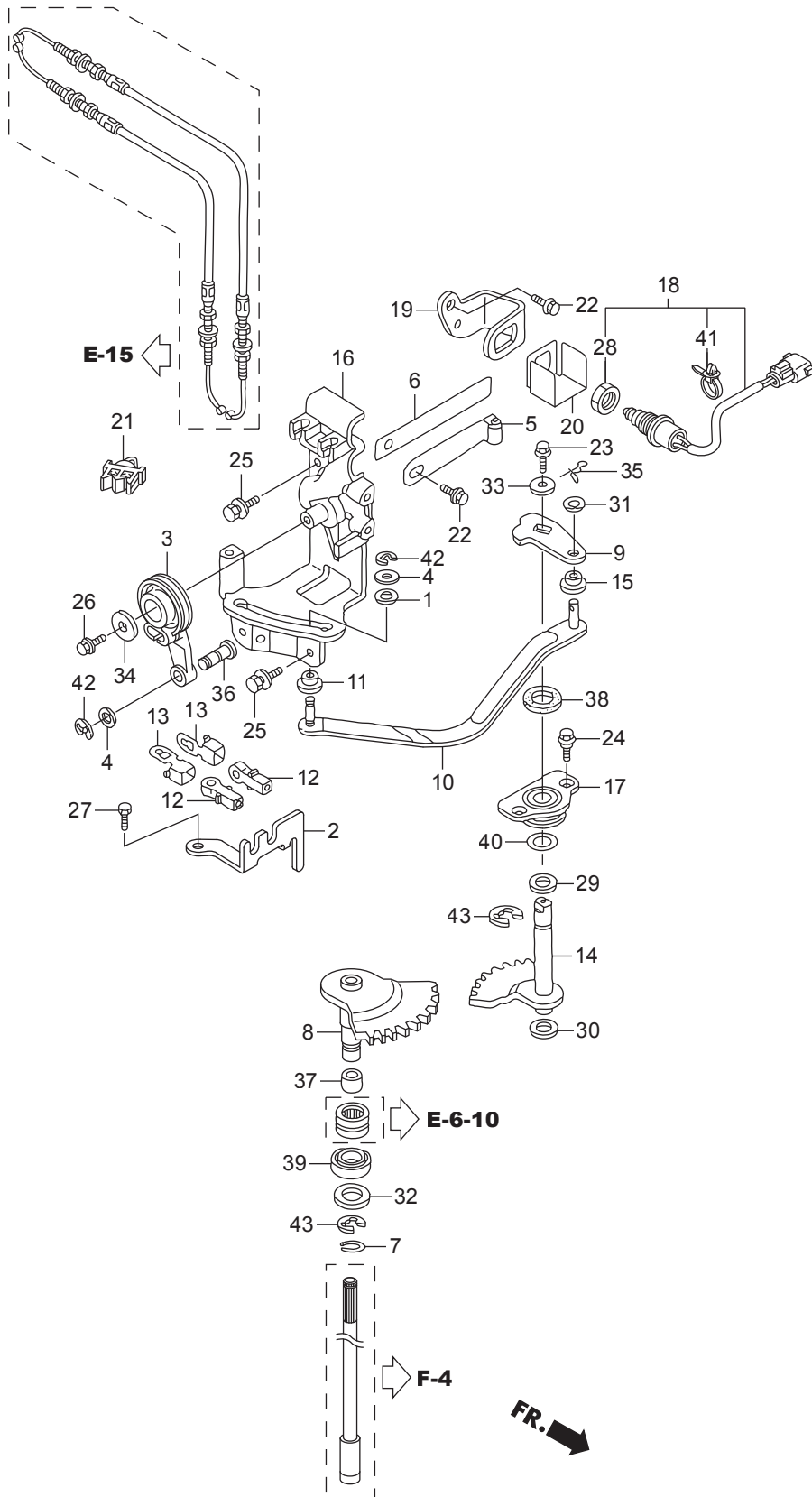


Ref.No.	Part No.	Description	Q' ty	Remarks	
			BFT250A		
E-21	1	HZY3-31200-003	MOTOR ASSY., STARTER	1	
E-21	2	HP5A-31201-005	ROTOR COMP.	1	
E-21	3	HZY3-31207-003	CLUTCH COMP., OVERRUNNING	1	LA,XA,XCA #~1003981
E-21	3	HZY9-31207-H01	CLUTCH COMP., OVERRUNNING	1	LA,XA,XCA #1003982~ XXA,XXCA
E-21	4	HPY3-31215-004	GEAR ASSY., PLANETARY	3	
E-21	5	HZY3-31216-003	YOKE COMP.	1	
E-21	6	HPY3-31218-004	BALL, STEEL	1	
E-21	7	HZW1-31226-004	BRUSH SET	1	LA,XA,XCA #~1003981
E-21	7	HZY3-31226-003	BRUSH SET	1	LA,XA,XCA #1003982~ XXA,XXCA
E-21	8	HZW1-31229-004	STOPPER SET, SLEEVE	1	LA,XA,XCA #~1003981
E-21	8	HZY9-31229-H01	STOPPER SET, SLEEVE	1	LA,XA,XCA #1003982~ XXA,XXCA
E-21	9	HZW1-31231-004	HOLDER COMP., BRUSH	1	LA,XA,XCA #~1003981
E-21	9	HZY3-31232-003	HOLDER COMP., BRUSH	1	LA,XA,XCA #1003982~ XXA,XXCA #1003982~
E-21	10	HZY3-31235-003	BRACKET, FR.	1	
E-21	11	HZY3-31236-003	BRACKET, RR.	1	
E-21	12	HZY3-31240-003	SWITCH ASSY., MAGNET	1	LA,XA,XCA #~1003981
E-21	12	HZY3-31241-003	SWITCH ASSY., MAGNET	1	LA,XA,XCA #1003982~ XXA,XXCA #1003982~
E-21	13	HZY3-31242-003	SHAFT ASSY., CLUTCH	1	LA,XA,XCA #~1003981
E-21	13	HZY3-31243-003	SHAFT ASSY., CLUTCH	1	LA,XA,XCA #1003982~ XXA,XXCA
E-21	14	HP5A-31243-005	BOLT A, THROUGH	2	
E-21	15	HZY3-31246-003	SHAFT ASSY., GEAR	1	LA,XA,XCA #~1003981
E-21	15	HZY9-31246-H01	SHAFT ASSY., GEAR	1	LA,XA,XCA #1003982~ XXA,XXCA

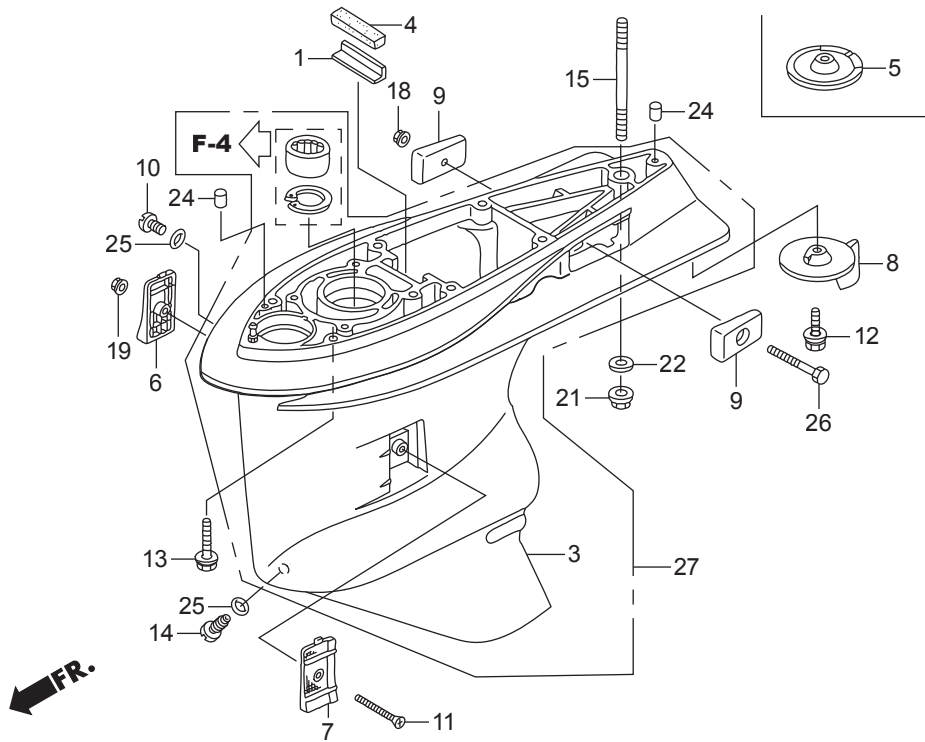
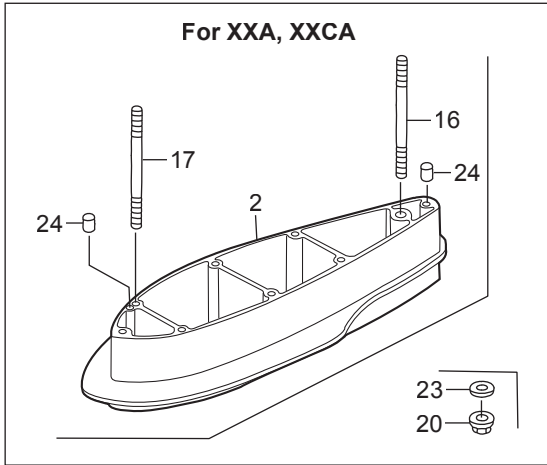




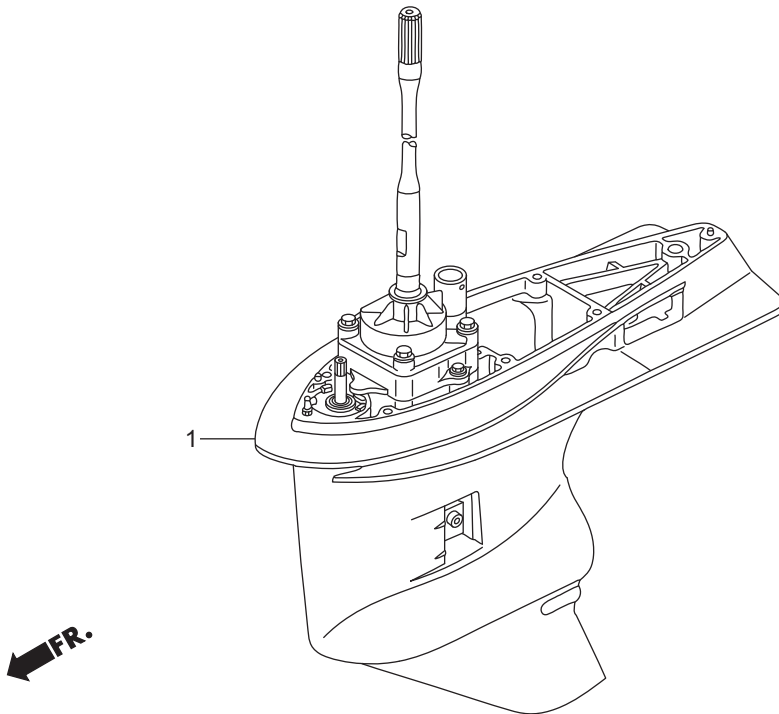
Ref.No.	Part No.	Description	Q' ty	Remarks	
			BFT250A		
F-2	1	HKN5-17224-670	WASHER, AIR CLEANER COVER	1	SETTING
F-2	2	HZY3-17877-000	PLATE, REMOTE CONTROL CABLE	1	
F-2	3	HZY3-17931-000	ARM, THROTTLE	1	
F-2	4	H921-17936-000	WASHER, PIVOT	2	
F-2	5	HZW1-24210-010	SPRING COMP., CLICK	1	
F-2	6	HZY3-24221-000	SPRING, CLICK ASSIST	1	
F-2	7	HZW1-24327-000	RING, STOPPER	1	
F-2	8	HZY3-24610-A00	SHAFT COMP., SHIFT(A)	1	
F-2	9	HZY3-24612-010	ARM, SHIFT	1	
F-2	10	HZY3-24613-000	ROD, LINK	1	
F-2	11	HZY3-24617-000	COLLAR, SHIFT SLIDER	1	
F-2	12	HZY3-24618-000	PIVOT, SHIFT	2	
F-2	13	HZY3-24619-000	PLATE, LOCK	2	
F-2	14	HZY3-24620-000	SHAFT COMP., SHIFT(B)	1	
F-2	15	HZY3-24623-000	BUSH, SHIFT ARM	1	
F-2	16	HZY3-24628-000	BRACKET, SHIFT LINK	1	
F-2	17	HZW1-24629-000	HOLDER, SEAL	1	
F-2	18	HZX2-35470-013	SWITCH ASSY., NEUTRAL	1	
F-2	19	HZY3-35476-010	BRACKET, NEUTRAL SWITCH	1	
F-2	20	HZY3-35477-000	COVER, NEUTRAL SWITCH	1	
F-2	21	HS0X-46392-A01	CLIP, BRAKE PIPE	1	
F-2	22	HZW9-90011-000	BOLT, FLANGE, 6X14(CT200)	2	
F-2	23	HZY3-90017-000	BOLT, FLANGE, 6X16	1	
F-2	24	HZW5-90023-000	BOLT, FLANGE, 6X11	2	
F-2	25	HZX2-90101-C00	BOLT-WASHER, 6X16	3	
F-2	26	HZW9-90102-000	BOLT, FLANGE, 6X12	1	
F-2	27	HZV4-90127-000	BOLT, HEX., 6X16	1	
F-2	28	HZV5-90302-003	NUT, HEX., 20MM	1	
F-2	29	HHA0-90402-000	WASHER, THRUST, 14MM	1	

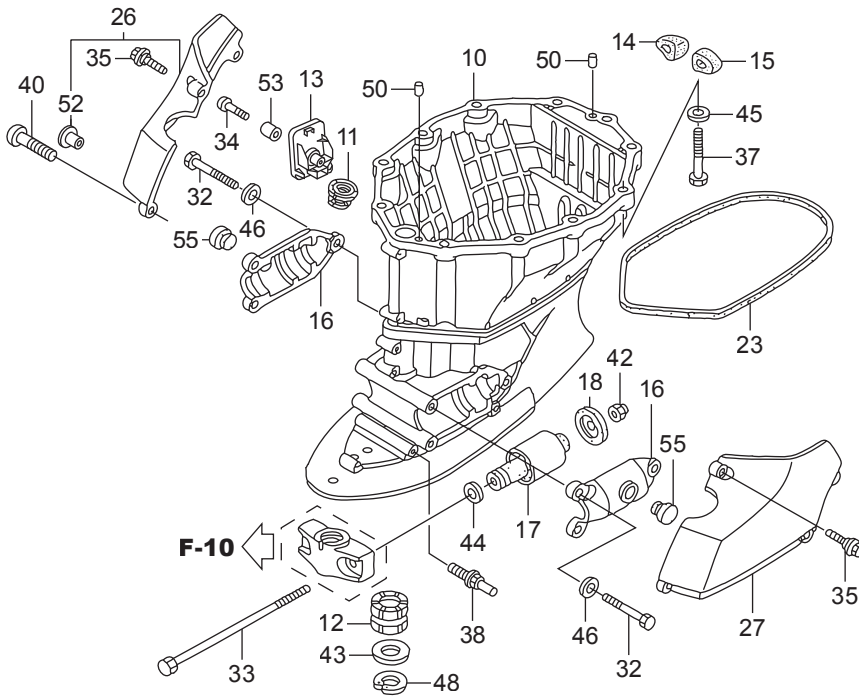
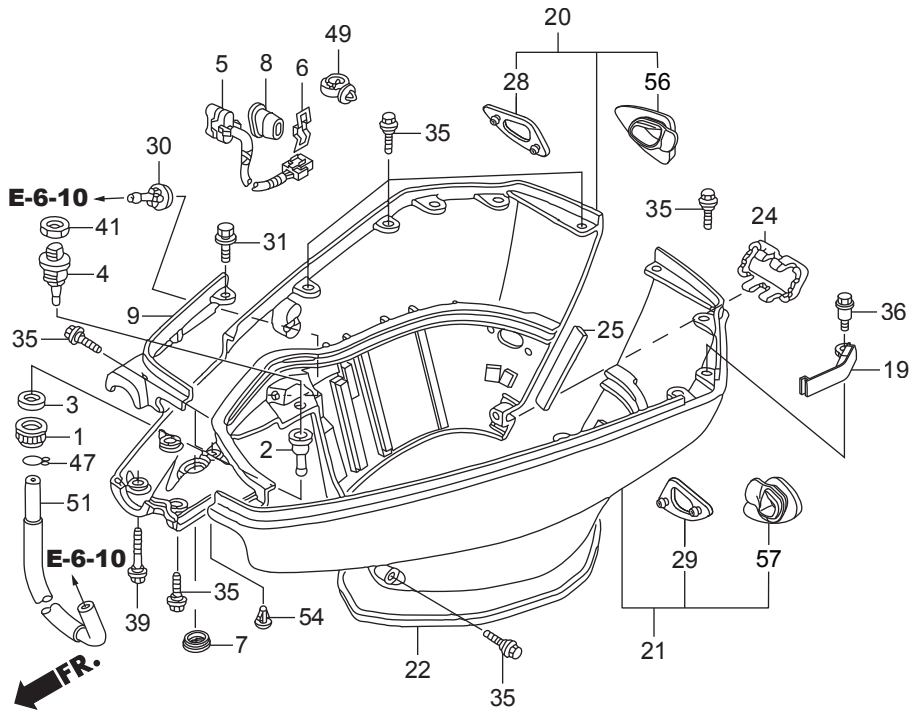


Ref.No.		Part No.	Description	Q' ty	Remarks
				BFT250A	
F-2	30	H958-90428-000	WASHER B, THRUST, 14MM	1	
F-2	31	HZV4-90506-000	WASHER, PLAIN, 6MM	1	
F-2	32	HZV7-90508-000	WASHER	1	
F-2	33	HZY3-90508-000	WASHER, PLAIN, 6MM	1	
F-2	34	HZV4-90512-000	WASHER, PLAIN, 6MM	1	
F-2	35	HSD2-90705-931	PIN, SNAP, 6MM	1	
F-2	36	HZY3-90751-000	PIN, LINK	1	
F-2	37	HZY3-91152-003	RING, INNER(15X20X23)	1	
F-2	38	HZW5-91251-003	OIL SEAL, 14X26X6	1	
F-2	39	HZY3-91255-003	SEAL, WATER(14X26X8)	1	
F-2	40	HPF0-91302-003	O-RING, 26.9X2.4(NOK)	1	
F-2	41	HS0A-91541-003	CLIP, HARNESS BAND(BLACK)	1	(145MM)
F-2	42	HCO-94540-04029	E-RING, 4MM	2	
F-2	43	HCO-94540-12029	E-RING, 12MM	2	

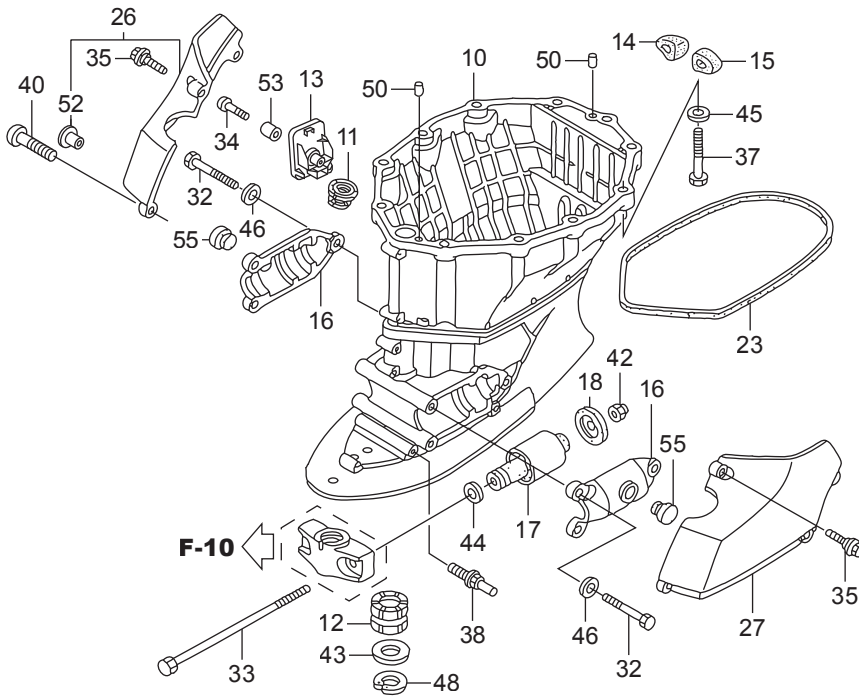
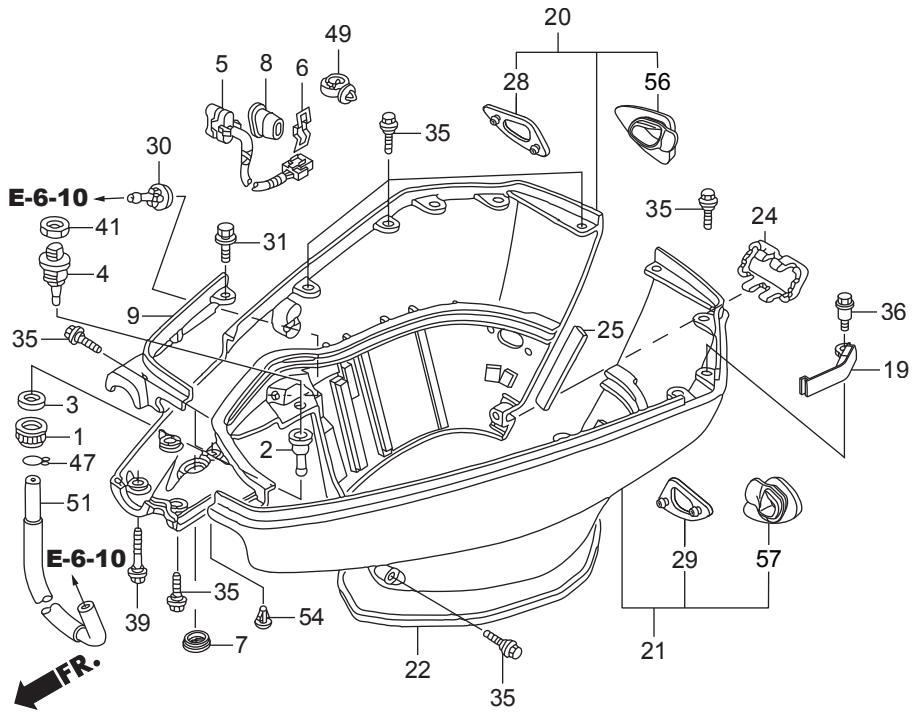


Ref.No.	Part No.	Description	Q' ty	Remarks	
			BFT250A		
F-3	1	HZW1-19286-B00	PLATE, RUBBER SETTING	1	
F-3	2	HZY3-40202-621ZC	SEPARATOR, EXTENSION	1	*T107*BAY BLUE XXA,XXCA
F-3	3	HZX2-41101-C01ZC	CASE, GEAR	1	*T107*BAY BLUE
F-3	4	HZW1-41102-B00	GROMMET, GEAR CASE	1	
F-3	5	HZX2-41102-E00ZC	COVER, GEAR CASE	1	*T107*BAY BLUE XCA,XXCA
F-3	6	HZY3-41104-C01	SCREEN, R. WATER	1	
F-3	7	HZY3-41105-C01	SCREEN, L. WATER	1	
F-3	8	HZX2-41107-C00ZC	TAB, TRIM	1	*T107*BAY BLUE LA,XA,XXA
F-3	9	HZW1-41109-B00	METAL COMP., ANODE	2	
F-3	10	HZW9-90101-003	BOLT, OIL CHECK	1	
F-3	11	HZZ0-90101-000	SCREW, FLAT, 5X55	1	
F-3	12	HZY6-90103-000	BOLT-WASHER, 10X32	1	
F-3	13	HZX2-90107-C00	BOLT-WASHER, 10X47	6	LA,XA,XCA
F-3	14	HZY3-90120-000	BOLT, DRAIN PLUG	1	
F-3	15	HZY3-90124-000	BOLT, STUD, 12X40	1	LA,XA,XCA
F-3	16	HZY3-90130-620	BOLT, STUD, 12X170	1	XXA,XXCA
F-3	17	HZY3-90131-620	BOLT, STUD, 10X170	6	XXA,XXCA
F-3	18	HZY1-90205-000	NUT, SELF-LOCK, 6MM	1	
F-3	19	HZV4-90302-000	NUT, SELF-LOCK, 5MM	1	
F-3	20	HZV5-90306-003	NUT, SELF-LOCK, 10MM	6	XXA,XXCA
F-3	21	HZW1-90308-003	NUT, SELF-LOCK, 12MM	1	
F-3	22	HZV5-90559-000	WASHER, PLAIN, 12MM	1	
F-3	23	HZV5-90563-000	WASHER, PLAIN, 10MM	6	XXA,XXCA
F-3	24	HZV5-90756-000	DOWEL PIN, 6X10	2	LA,XA,XCA
F-3	24	HZV5-90756-000	DOWEL PIN, 6X10	4	XXA,XXCA
F-3	25	HZW4-91301-003	O-RING, 6.9X1.45	2	
F-3	26	HCO-92101-06055-4J	BOLT, HEX., 6X55	1	
F-3	27	HZX2-41110-305ZB	CASE COMP., GEAR	1	*T107*BAY BLUE

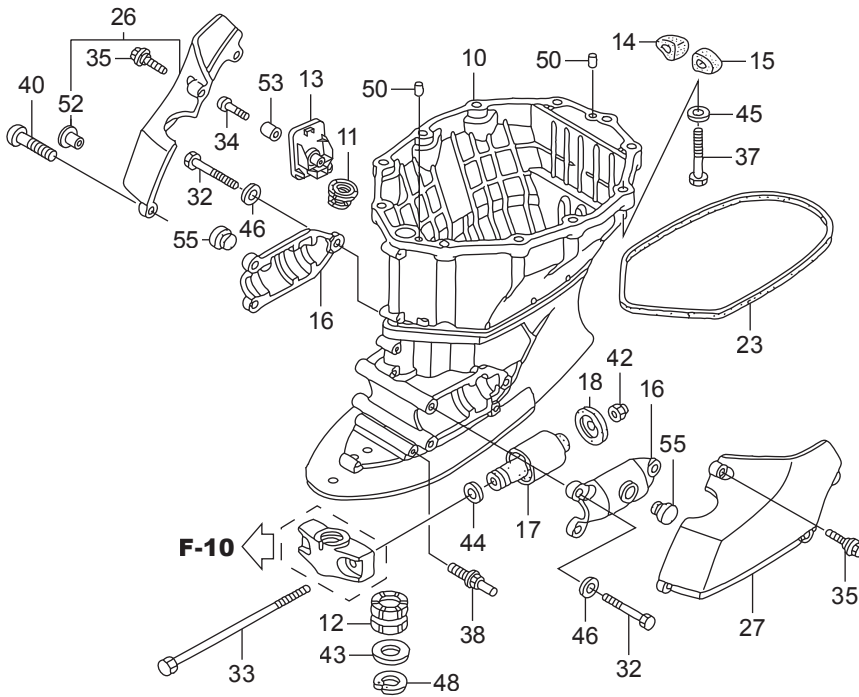
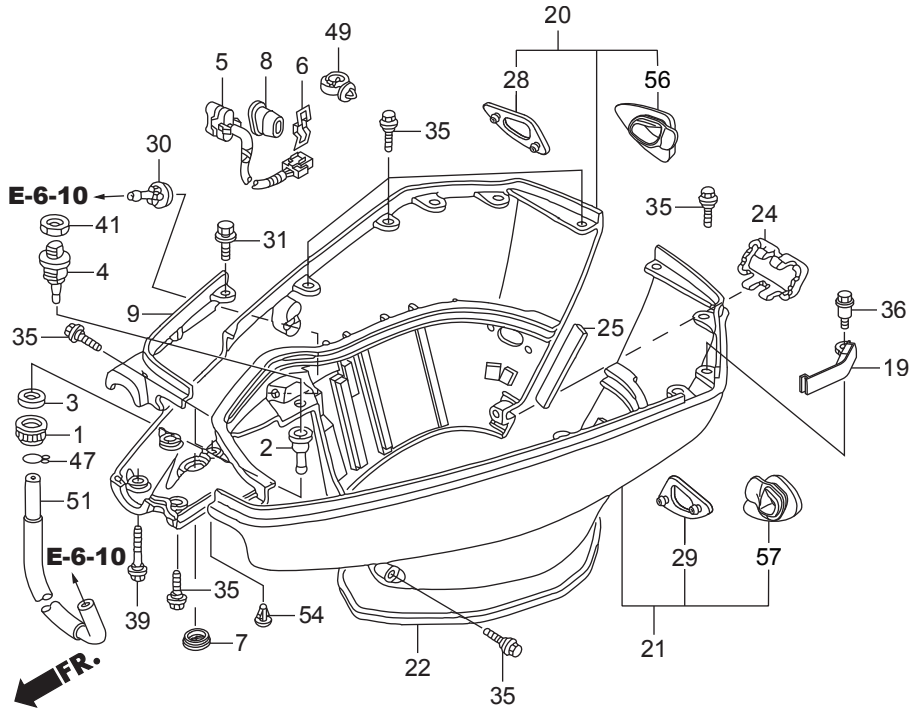




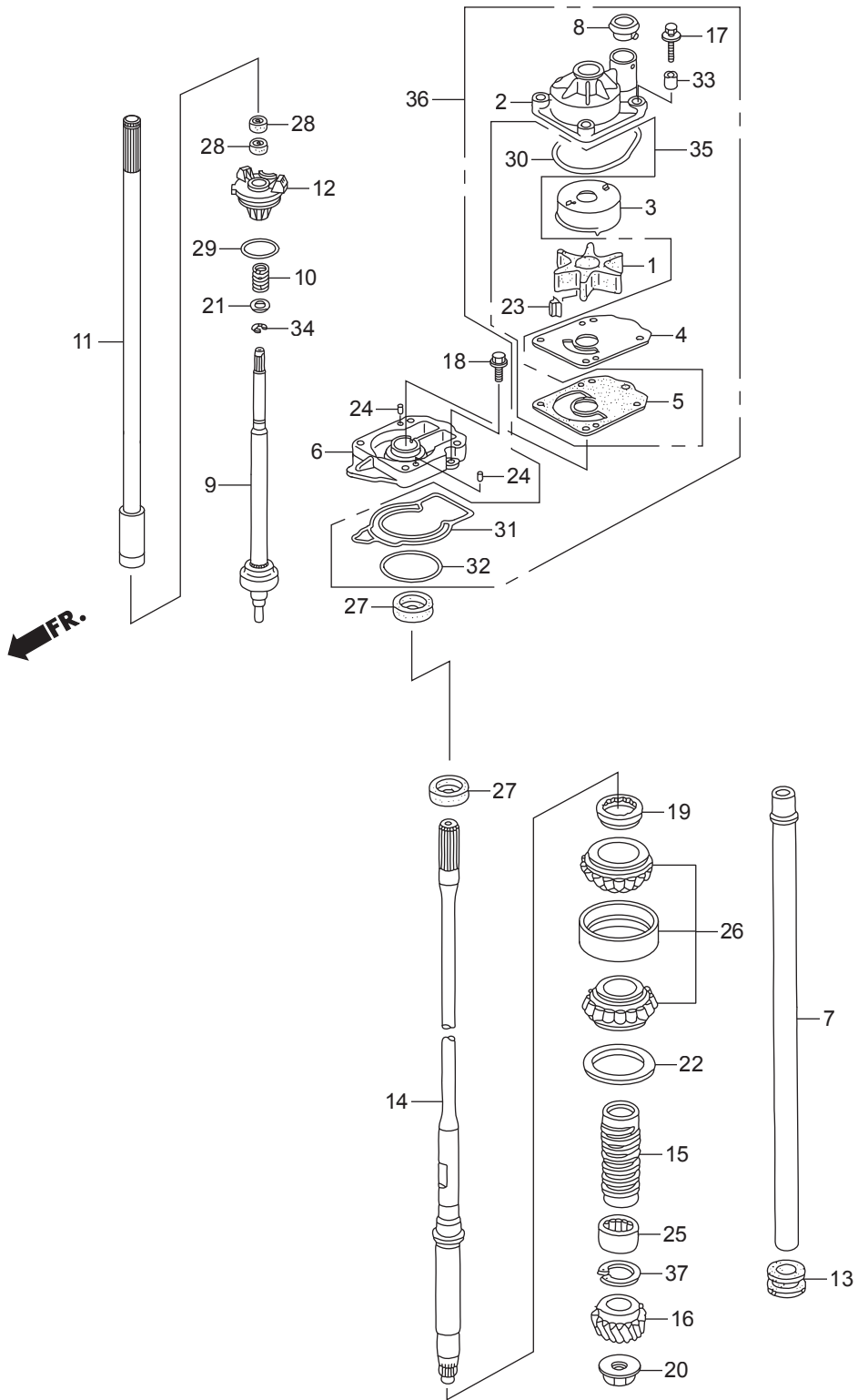
Ref.No.	Part No.	Description	Q' ty	Remarks	
			BFT250A		
F-3-20	1	HZY3-19270-000	NUT, WATER MOUTH	1	
F-3-20	2	HZY3-19271-000	JOINT, WATER HOSE	1	
F-3-20	3	HZY3-19272-000	SEAT, WATER MOUTH	1	
F-3-20	4	HZY3-19289-000	CAP, WATER JOINT	1	
F-3-20	5	HZY3-35640-013	SWITCH ASSY., POWER TILT	1	
F-3-20	6	HZY3-35645-000	STAY, POWER TILT SWITCH	1	
F-3-20	7	HZV5-40107-000	GROMMET, UNDER CASE(C)	1	
F-3-20	8	HZY3-40114-010	GROMMET, POWER TILT SWITCH	1	
F-3-20	9	HZY3-40151-000ZC	COVER, FR. SEPARATE	1	*T107*BAY BLUE
F-3-20	10	HZY3-40201-020ZC	CASE, EXTENSION	1	*T107*BAY BLUE LA
F-3-20	10	HZY3-40201-612ZC	CASE, EXTENSION	1	*T107*BAY BLUE XA,XCA,XXA,XXCA
F-3-20	11	HZW1-40209-000	RUBBER, DRAIN PLUG	1	
F-3-20	12	HZY3-40210-610	BUSH COMP., VERTICAL SHAFT	1	XA,XCA,XXA,XXCA
F-3-20	13	HZY3-40212-010ZC	COVER, DRAIN PLUG(L)	1	*T107*BAY BLUE LA
F-3-20	13	HZY3-40212-611ZC	COVER, DRAIN PLUG(XL)	1	*T107*BAY BLUE XA,XCA,XXA,XXCA
F-3-20	14	HZY3-40225-010	SEAL, R. IDOL PORT	1	XCA,XXCA
F-3-20	14	HZY3-40225-010	SEAL, R. IDOL PORT	1	#~6000122 LA,XA,XXA
F-3-20	15	HZY3-40226-010	SEAL, L. IDOL PORT	1	XCA,XXCA
F-3-20	15	HZY3-40226-010	SEAL, L. IDOL PORT	1	#~6000122 LA,XA,XXA
F-3-20	16	HZY3-50111-020	HOUSING, LOWER MOUNTING	2	
F-3-20	17	HZY3-50155-000	MOUNT COMP., LOWER RUBBER	2	
F-3-20	18	HZY3-50157-010	STOPPER, LOWER MOUNT	2	
F-3-20	19	HZY3-63347-C00	COVER, PLUG MAINTENANCE	1	
F-3-20	20	HZX2-63710-C00ZB	COVER COMP., R. UNDER ENGINE	1	*T107*BAY BLUE XCA,XXCA
F-3-20	20	HZX2-63710-C00ZB	COVER COMP., R. UNDER ENGINE	1	#~6000122 LA,XA,XXA
F-3-20	20	HZX2-63710-C01ZB	COVER COMP., R. UNDER ENGINE	1	*T107*BAY BLUE #6000123~ LA,XA,XXA
F-3-20	21	HZX2-63715-C00ZB	COVER COMP., L. UNDER ENGINE	1	*T107*BAY BLUE XCA,XXCA
F-3-20	21	HZX2-63715-C00ZB	COVER COMP., L. UNDER ENGINE	1	#~6000122 LA,XA,XXA
F-3-20	21	HZX2-63715-C01ZB	COVER COMP., L. UNDER ENGINE	1	*T107*BAY BLUE #6000123~ LA,XA,XXA



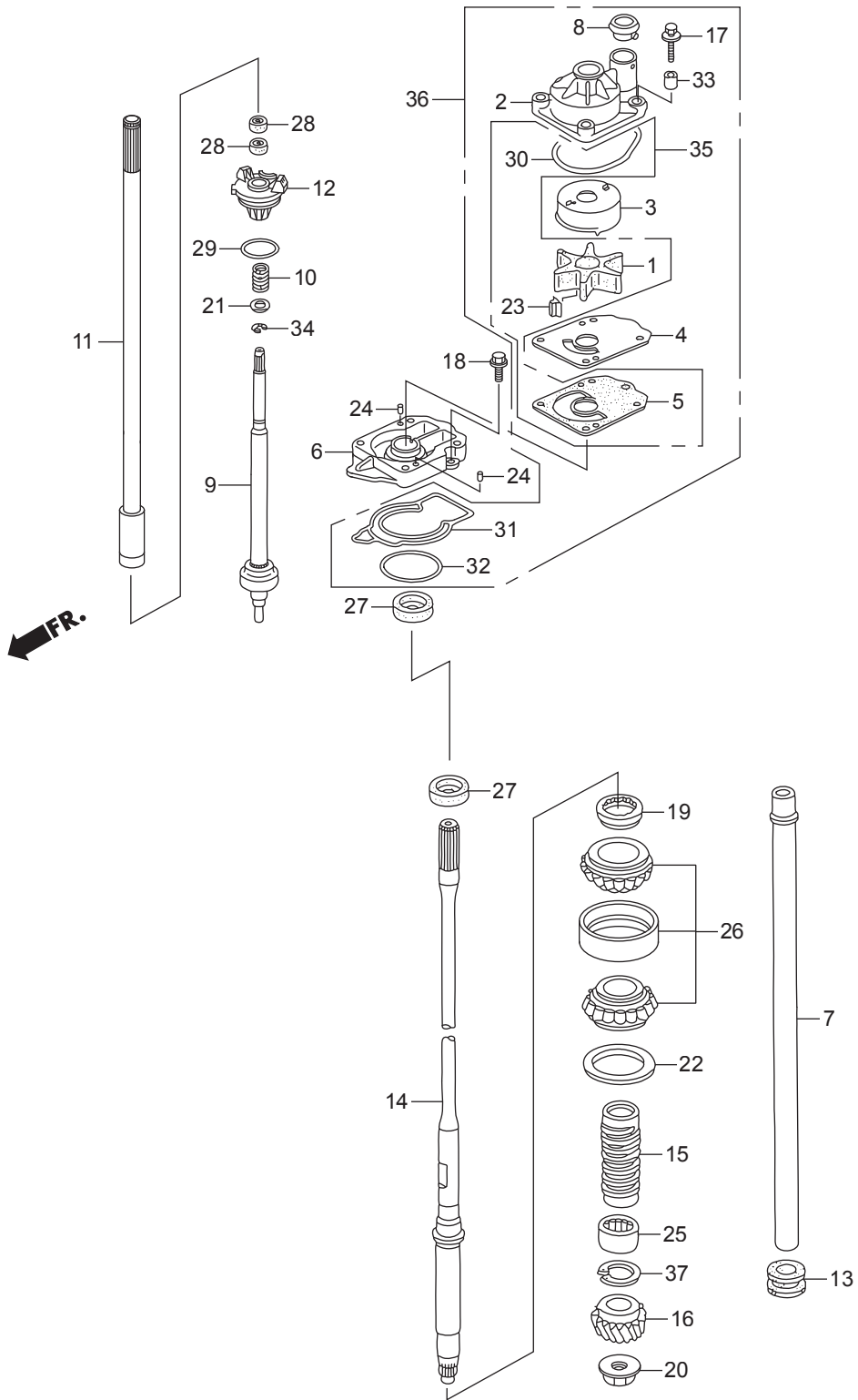
Ref.No.	Part No.	Description	Q' ty	Remarks	
			BFT250A		
F-3-20	22	HZY3-63718-000	SEAL A, COVER UNDER	1	
F-3-20	23	HZX2-63719-C00	SEAL B, COVER UNDER	1	
F-3-20	24	HZY3-63722-010ZC	CAP, UNDER COVER	1	*T107*BAY BLUE
F-3-20	25	HZY3-63728-000	SEAL C, UNDER COVER	1	
F-3-20	26	HZY3-63731-A03ZC	COVER, R. LOWER MOUNTING(L)	1	*T107*BAY BLUE LA
F-3-20	26	HZY3-63731-A12ZC	COVER, R. LOWER MOUNTING(XL)	1	*T107*BAY BLUE XA,XCA,XXA,XXCA
F-3-20	27	HZY3-63736-A03ZC	COVER, L. LOWER MOUNTING(L)	1	*T107*BAY BLUE LA
F-3-20	27	HZY3-63736-A12ZC	COVER, L. LOWER MOUNTING(XL)	1	*T107*BAY BLUE XA,XCA,XXA,XXCA
F-3-20	28	HZY3-63751-C00	GROMMET, R. IDLE PORT	1	XCA,XXCA
F-3-20	28	HZY3-63751-C00	GROMMET, R. IDLE PORT	1	#~6000122 LA,XA,XXA
F-3-20	29	HZY3-63756-C00	GROMMET, L. IDLE PORT	1	XCA,XXCA
F-3-20	29	HZY3-63756-C00	GROMMET, L. IDLE PORT	1	#~6000122 LA,XA,XXA
F-3-20	30	HZV5-82873-003	GROMMET, WATER CHECK	1	
F-3-20	31	HZX2-90102-C00	BOLT-WASHER, 6X25	2	
F-3-20	32	HZY3-90102-A00	BOLT, HEX., 10X35	6	
F-3-20	33	HZY3-90105-010	BOLT, HEX., 14X180	2	
F-3-20	34	HZV5-90110-000	SCREW, SPECIAL, 6X35	1	
F-3-20	35	HZY3-90111-000	BOLT, SPECIAL, 6X17	26	
F-3-20	36	HZY3-90113-C00	BOLT, SPECIAL, 6X22	1	
F-3-20	37	HZY3-90122-000	BOLT, HEX., 12X50	11	
F-3-20	38	HZY3-90129-A00	BOLT, SPECIAL, 6X12	2	
F-3-20	39	HZY3-90132-000	BOLT, SPECIAL, 6X37	2	
F-3-20	40	HZY3-90134-000	SCREW-WASHER, 6X40	1	LA
F-3-20	40	HCO-93500-06025-4J	SCREW, PAN, 6X25	1	XA,XCA,XXA,XXCA
F-3-20	41	H921-90302-000	NUT, HEX., 16MM	1	
F-3-20	42	HZY3-90302-000	NUT, SELF-LOCK, 14MM	2	
F-3-20	43	HZY3-90503-610	WASHER, 30MM	1	XA,XCA,XXA,XXCA
F-3-20	44	HZY3-90511-000	WASHER, PLAIN, 14MM	2	
F-3-20	45	HZV5-90559-000	WASHER, PLAIN, 12MM	11	



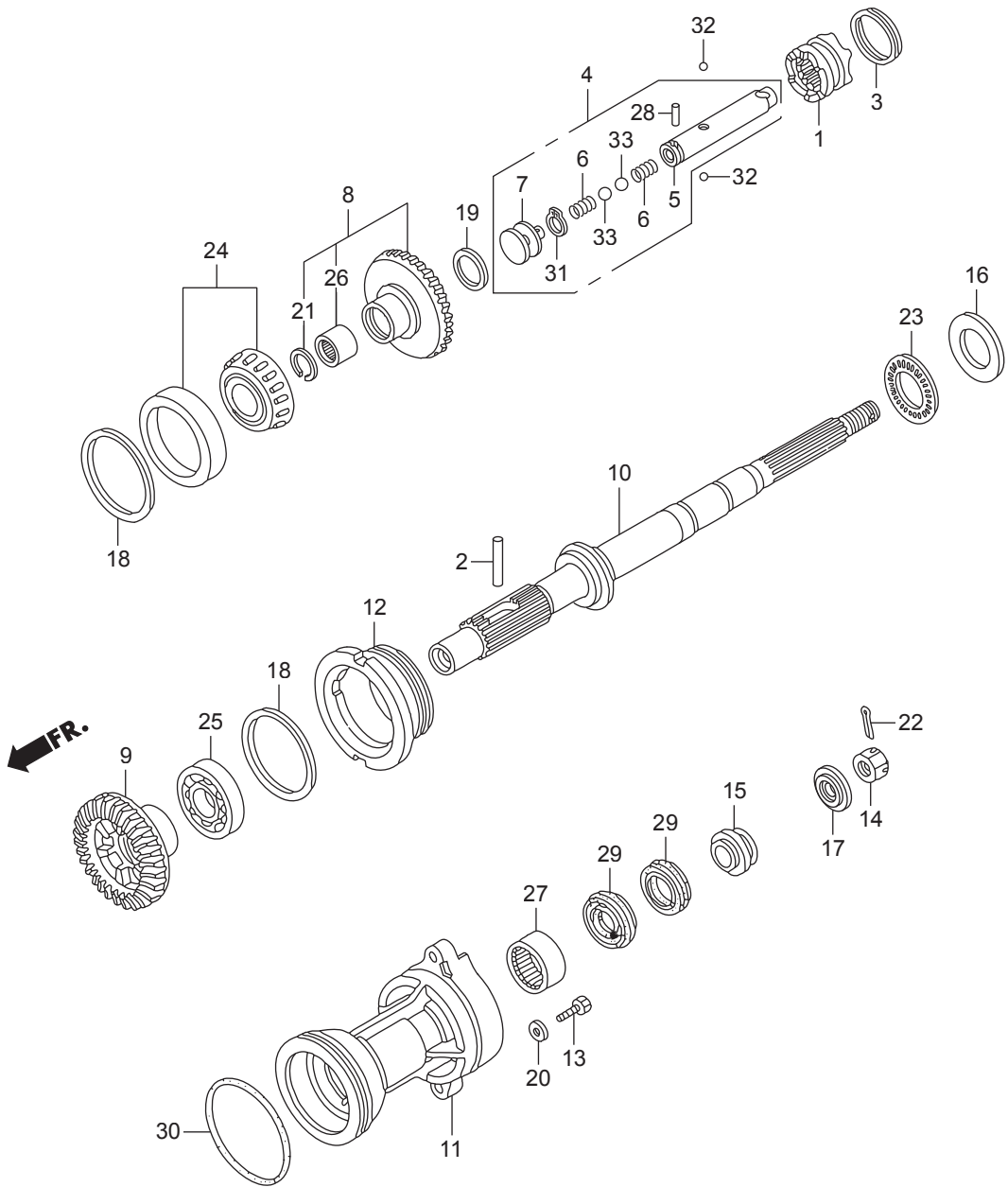
Ref.No.	Part No.	Description	Q' ty	Remarks	
			BFT250A		
F-3-20	46	HZV5-90563-000	WASHER, PLAIN, 10MM	6	
F-3-20	47	HZV4-90605-000	CLIP, TUBE(B12.5)	1	
F-3-20	48	HZY3-90652-000	CIRCLIP, INTERNAL, 43	1	XA,XCA,XXA,XXCA
F-3-20	49	HSA0-90683-003	CLIP, WIRE HARNESS, 25MM	1	
F-3-20	50	HZV5-90756-000	DOWEL PIN, 6X10	2	
F-3-20	51	HZY3-91451-000	TUBE, WATER JOINT	1	
F-3-20	52	HZY3-91552-000	COLLAR, 6.2X10X25.5	1	LA
F-3-20	52	HZY6-91553-000	COLLAR, DISTANCE, 6.5X9X5	1	XA,XCA,XXA,XXCA
F-3-20	53	HZV5-91563-000	COLLAR, DISTANCE, 6X10.5X25	1	
F-3-20	54	HZY3-91651-003	PLUG, HOLE, 5MM	1	
F-3-20	55	HCO-95011-63000	RUBBER C, STAND STOPPER	2	
F-3-20	56	HZY3-63751-C01	GROMMET, R. IDLE PORT	1	#6000123~ LA,XA,XXA
F-3-20	57	HZY3-63756-C01	GROMMET, L. IDLE PORT	1	#6000123~ LA,XA,XXA



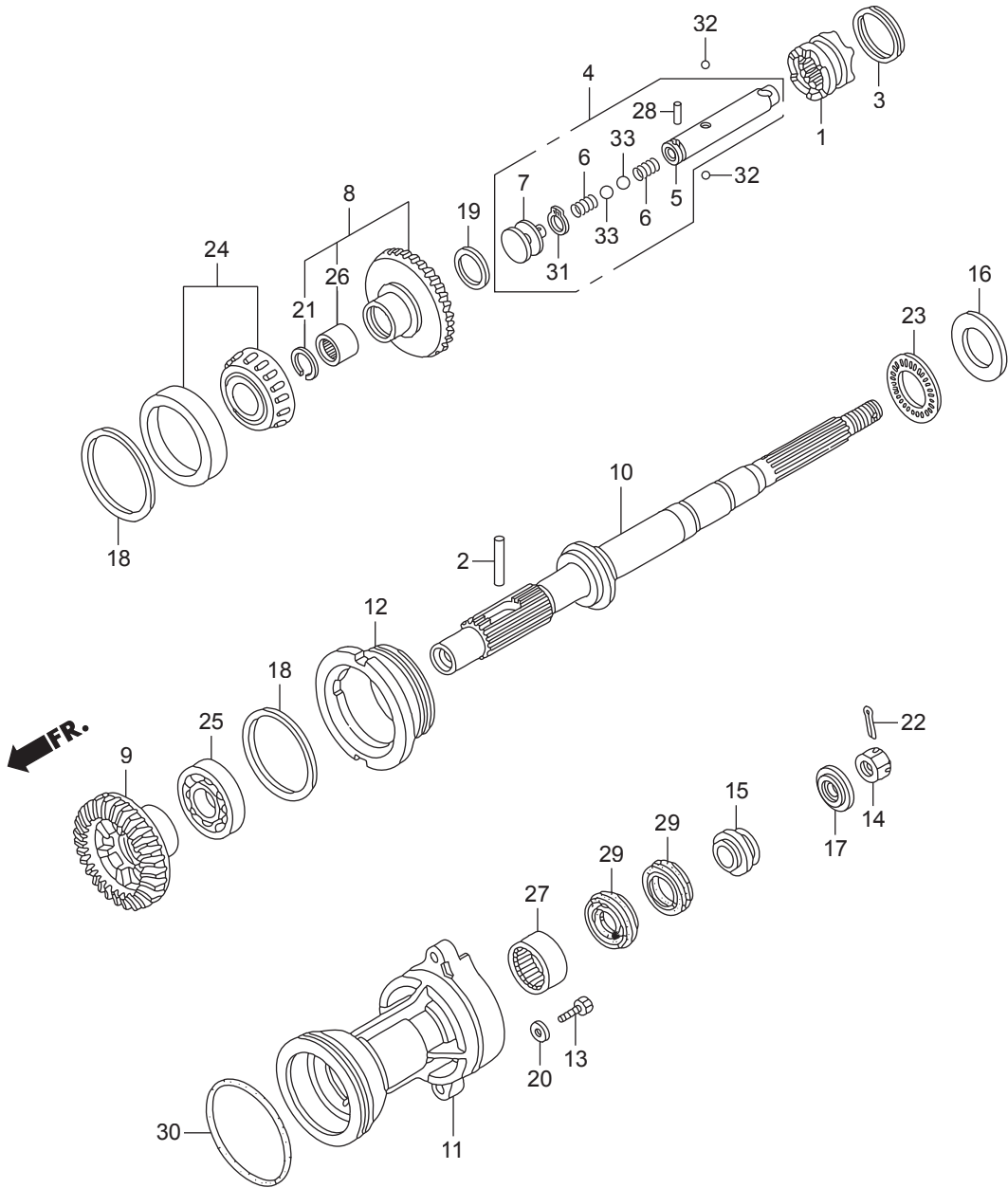
Ref.No.	Part No.	Description	Q' ty	Remarks	
			BFT250A		
F-4	1	HZY3-19210-003	IMPELLER, PUMP	1	
F-4	2	HZY3-19221-010	HOUSING, IMPELLER	1	
F-4	3	HZY3-19223-000	LINER, PUMP	1	
F-4	4	HZY3-19231-000	COVER, IMPELLER	1	
F-4	5	HZX2-19234-C00	GASKET B, IMPELLER	1	
F-4	6	HZX2-19241-C00	HOUSING, WATER PUMP	1	
F-4	7	HZY3-19251-000	TUBE, WATER(L)	1	LA
F-4	7	HZY3-19251-611	TUBE, WATER(XL)	1	XA,XCA
F-4	7	HZY3-19251-621	TUBE, WATER(XXL)	1	XXA,XXCA
F-4	8	HZY3-19253-000	RING, WATER TUBE SEAL	1	
F-4	9	HZY3-24310-C00	ROD COMP., SHIFT	1	LA,XA,XXA
F-4	9	HZY3-24310-E00	ROD COMP., SHIFT	1	(COUNTER ROTATION) XCA,XXCA
F-4	10	HZY3-24318-000	SPRING, SHIFT ROD	1	
F-4	11	HZY6-24320-000	ROD COMP. A, SHIFT(L)	1	LA
F-4	11	HZY6-24320-610	ROD COMP. A, SHIFT(XL)	1	XA,XCA
F-4	11	HZY3-24320-A20	ROD COMP. A, SHIFT(XXL)	1	XXA,XXCA
F-4	12	HZW1-24343-B02	HOLDER, SHIFT ROD	1	
F-4	13	HZY3-40204-000	GROMMET, EXTENSION CASE	1	
F-4	14	HZX2-41112-C00	SHAFT, VERTICAL(L)	1	LA
F-4	14	HZX2-41112-C10	SHAFT, VERTICAL(XL)	1	XA,XCA
F-4	14	HZX2-41112-C20	SHAFT, VERTICAL(XXL)	1	XXA,XXCA
F-4	15	HZY3-41116-000	SLINGER, OIL	1	
F-4	16	HZX2-41131-C00	GEAR, PINION	1	LA,XA,XXA
F-4	16	HZX2-41131-E00	GEAR, PINION(COUNTER ROTATION)	1	XCA,XXCA
F-4	17	HZX2-90105-C00	BOLT, WASHER, 8X60	4	
F-4	18	HHW1-90215-671	BOLT, FLANGE, 6X16	1	
F-4	19	HZX2-90301-C00	NUT, LOCK, 68MM	1	
F-4	20	HZX2-90303-C00	NUT, HEX., 18MM	1	
F-4	21	H723-90472-000	WASHER, PLAIN, 12MM	1	



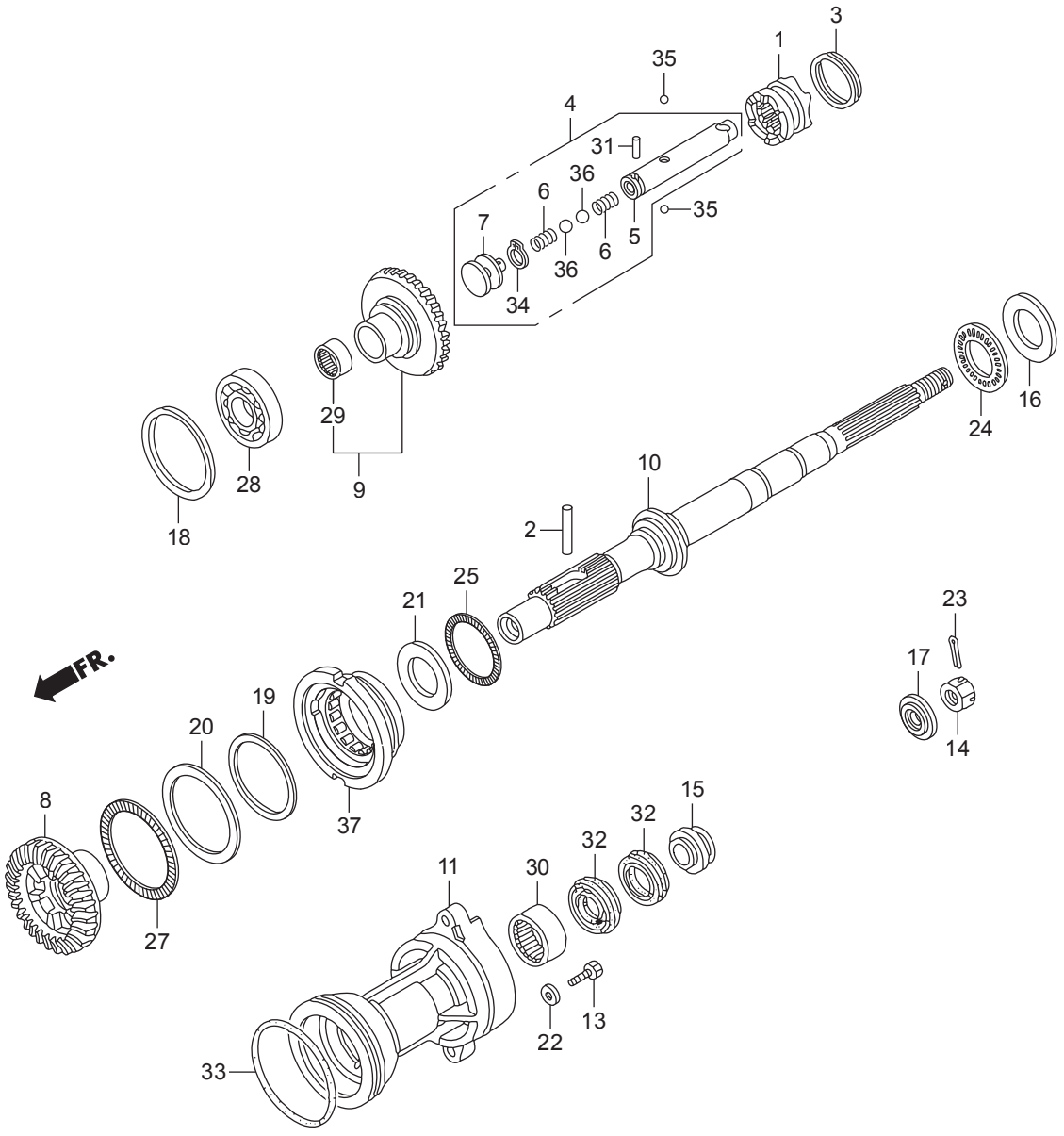
Ref.No.	Part No.	Description	Q' ty	Remarks	
			BFT250A		
F-4	22	HZX2-90518-C00	SHIM A, GEAR(0.10)	1	
F-4	22	HZX2-90519-C00	SHIM B, GEAR(0.15)	1	
F-4	22	HZX2-90520-C00	SHIM C, GEAR(0.30)	1	
F-4	22	HZX2-90521-C00	SHIM D, GEAR(0.50)	1	
F-4	23	HZY3-90752-003	KEY, WOODRUFF	1	
F-4	24	HZV5-90756-000	DOWEL PIN, 6X10	2	
F-4	25	HZX2-91053-C01	BEARING, NEEDLE, 30.5X47X37	1	
F-4	26	HZX2-91056-C01	BEARING, TAPER ROLLER,	1	32X66X49
F-4	27	HZY3-91251-C01	SEAL, WATER, 26X42X7	2	
F-4	28	HZY3-91254-003	SEAL, WATER, 12X21X6	2	
F-4	29	HMJ0-91308-003	O-RING	1	
F-4	30	HZY3-91356-003	O-RING, WATER PUMP	1	
F-4	31	HZX2-91358-C00	O-RING, WATER PUMP HOUSING	1	
F-4	32	HZX2-91359-C00	O-RING, 65.4X2.4	1	
F-4	33	HZY3-91551-000	COLLAR, DISTANCE	4	
F-4	34	HCO-94540-10019	E-RING, 10MM	1	
F-4	35	HZX2-06192-C00	PUMP KIT, IMPELLER	1	
F-4	36	HZX2-06193-C00	PUMP KIT, IMPELLER	1	
F-4	37	HCO-94520-47000	CIRCLIP, INTERNAL, 47MM	1	



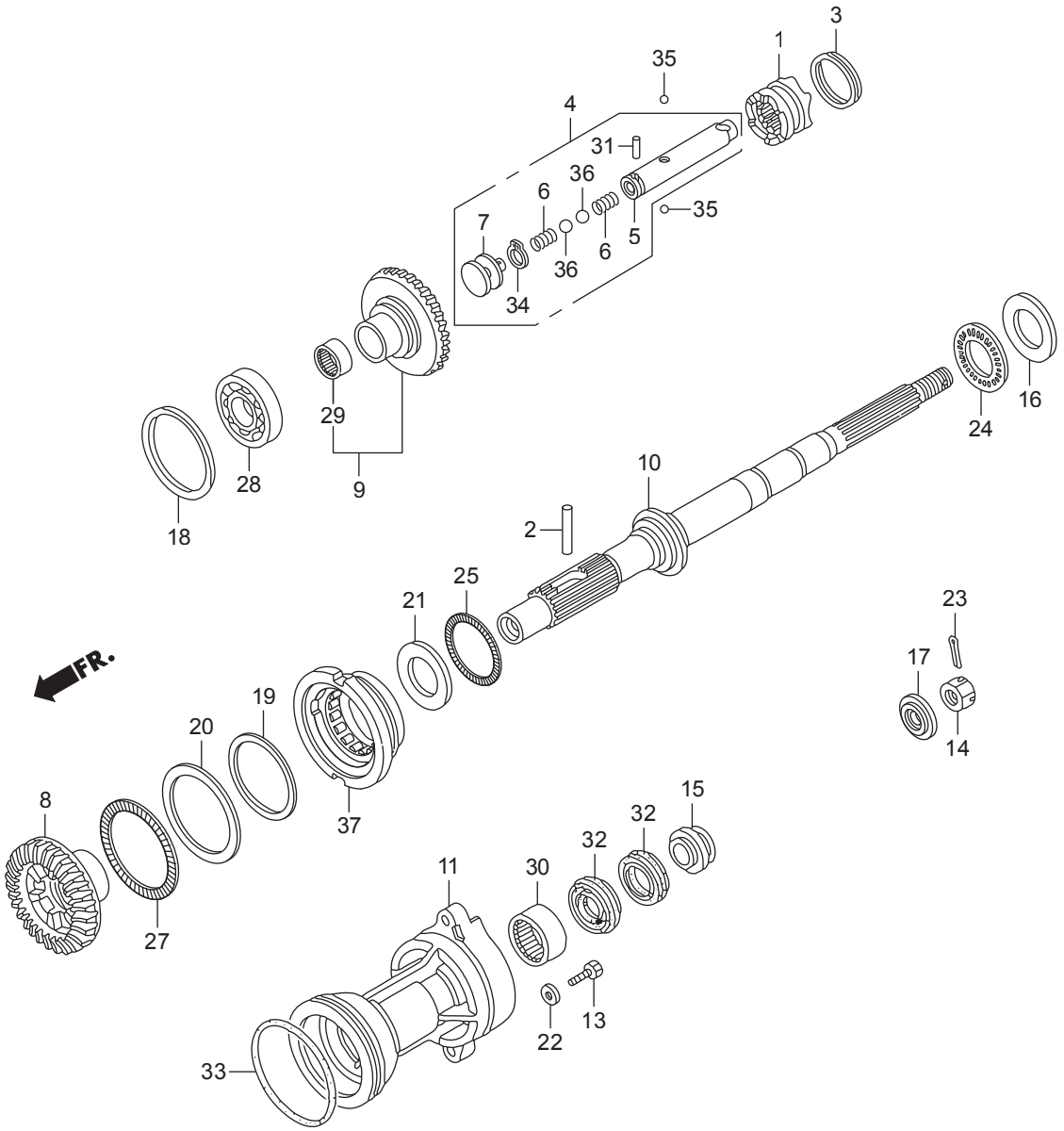
Ref.No.	Part No.	Description	Q' ty	Remarks	
			BFT250A		
F-5	1	HZX2-24101-C00	SHIFTER, CLUTCH	1	LA,XA,XXA
F-5	2	HZY3-24102-000	PIN, SHIFTER, 8X50	1	LA,XA,XXA
F-5	3	HZY3-24103-000	RING, CROSS PIN	1	LA,XA,XXA
F-5	4	HZY3-24113-A01	SLIDER COMP., SHIFT	1	LA,XA,XXA
F-5	5	HZY3-24122-A01	SLIDER, SHIFT	1	LA,XA,XXA
F-5	6	HZY3-24123-000	SPRING, SHIFT	2	LA,XA,XXA
F-5	7	HZY3-24124-310	PLATE, SHIFT	1	LA,XA,XXA
F-5	8	HZX2-41140-C00	GEAR COMP., BEVEL(FORWARD)	1	(24T) LA,XA,XXA
F-5	9	HZX2-41151-C00	GEAR, BEVEL(REVERSE)(24T)	1	LA,XA,XXA
F-5	10	HZX2-41161-C00	SHAFT, PROPELLER	1	LA,XA,XXA
F-5	11	HZX2-41201-C00ZC	HOLDER, PROPELLER SHAFT	1	*T107*BAY BLUE LA,XA,XXA
F-5	12	HZX2-41202-C00	HOLDER, BEARING	1	LA,XA,XXA
F-5	13	HZY3-90123-000	BOLT, HEX., 12X45	2	LA,XA,XXA
F-5	14	HZW1-90301-B00	NUT, CASTLE, 18MM	1	LA,XA,XXA,XXCA
F-5	15	HZY3-90506-000	WASHER, PROPELLER THRUST	1	LA,XA
F-5	15	HZX2-90506-C00	WASHER, PROPELLER THRUST	1	LA,XA #6000072~ XXA,XXCA
F-5	16	HZW5-90509-711	WASHER, THRUST BEARING	1	LA,XA,XXA
F-5	17	HZY3-90512-000	WASHER, PROPELLER	1	LA,XA
F-5	17	HZX2-90512-C00	WASHER, PROPELLER	1	LA,XA #6000072~ XXA,XXCA
F-5	18	HZX2-90528-C00	SHIM A, BEVEL(0.10)	2	LA,XA,XXA
F-5	18	HZX2-90529-C00	SHIM B, BEVEL(0.15)	2	LA,XA,XXA
F-5	18	HZX2-90530-C00	SHIM C, BEVEL(0.30)	2	LA,XA,XXA
F-5	18	HZX2-90531-C00	SHIM D, BEVEL(0.50)	2	LA,XA,XXA
F-5	19	HZY3-90548-000	SHIM A, THRUST(2.75)	1	LA,XA,XXA
F-5	19	HZY3-90549-000	SHIM B, THRUST(2.80)	1	LA,XA,XXA
F-5	19	HZY3-90550-000	SHIM C, THRUST(2.85)	1	LA,XA,XXA
F-5	19	HZY3-90551-000	SHIM D, THRUST(2.90)	1	LA,XA,XXA

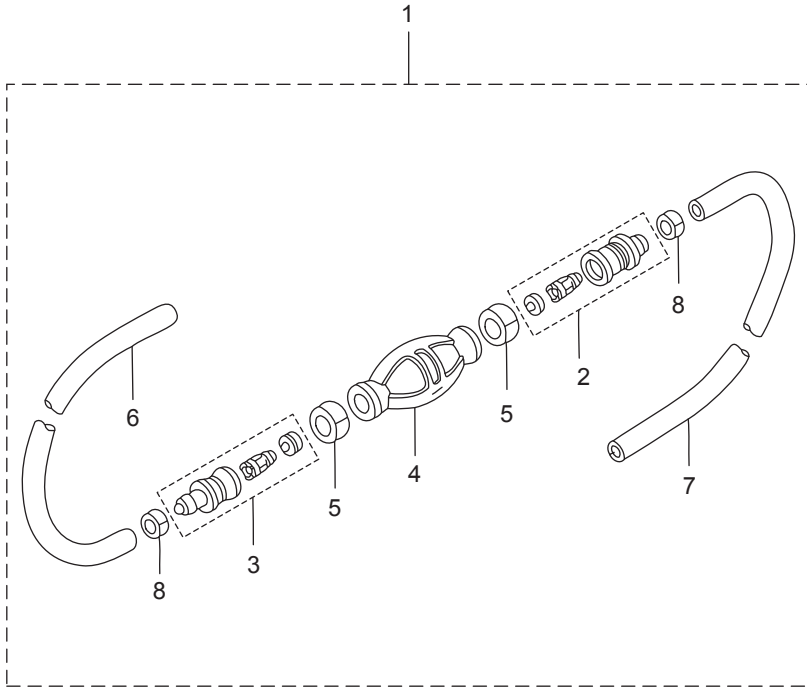


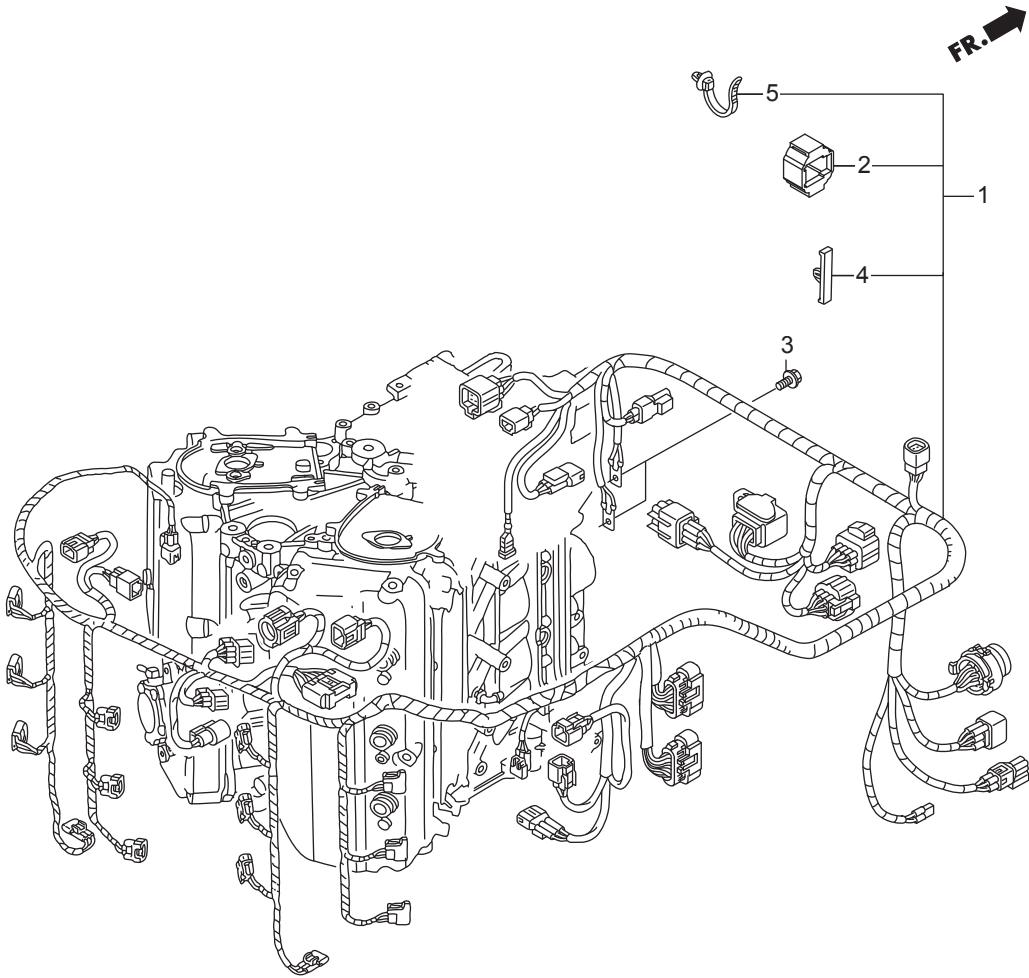
Ref.No.	Part No.	Description	Q' ty	Remarks	
			BFT250A		
F-5	19	HZY3-90552-000	SHIM E, THRUST(2.95)	1	LA,XA,XXA
F-5	19	HZY3-90553-000	SHIM F, THRUST(3.00)	1	LA,XA,XXA
F-5	19	HZY3-90554-000	SHIM G, THRUST(3.05)	1	LA,XA,XXA
F-5	19	HZY3-90555-000	SHIM H, THRUST(3.10)	1	LA,XA,XXA
F-5	19	HZY3-90556-000	SHIM I, THRUST(2.70)	1	LA,XA,XXA
F-5	19	HZY3-90557-000	SHIM J, THRUST(2.65)	1	LA,XA,XXA
F-5	19	HZY3-90558-000	SHIM K, THRUST(2.60)	1	LA,XA,XXA
F-5	19	HZY3-90559-000	SHIM L, THRUST(2.55)	1	LA,XA,XXA
F-5	19	HZY3-90560-000	SHIM M, THRUST(2.50)	1	LA,XA,XXA
F-5	20	HZV5-90559-000	WASHER, PLAIN, 12MM	2	LA,XA,XXA
F-5	21	HZX2-90651-C00	RING, SETTING(39)	1	LA,XA,XXA
F-5	22	HZW1-90758-B00	PIN, SPLIT, 4.0	1	LA,XA,XXA,XXCA
F-5	23	HPT2-91005-N01	BEARING, THRUST(F)	1	LA,XA,XXA
F-5	24	HZX2-91051-C01	BEARING, TAPER ROLLER,	1	60X100X30 LA,XA,XXA
F-5	25	HZX2-91055-C01	BEARING, RADIAL BALL,	1	55X100X21 LA,XA,XXA
F-5	26	HZY3-91056-711	BEARING, NEEDLE, 28X39X30	1	LA,XA,XXA
F-5	27	HZY3-91057-003	BEARING, NEEDLE, 32X42X30	1	LA,XA,XXA
F-5	28	HZY3-91151-000	ROLLER, 3X13.8	1	LA,XA,XXA
F-5	29	HZZ3-91252-003	SEAL, WATER, 30X45X7	2	LA,XA,XXA
F-5	30	HZX2-91351-C00	O-RING, 121X3.1	1	LA,XA,XXA
F-5	31	HCO-94510-15000	CIRCLIP, EXTERNAL, 15MM	1	LA,XA,XXA
F-5	32	HCO-96211-07000	BALL, STEEL, #7(7/32)	2	LA,XA,XXA
F-5	33	HCO-96211-12000	BALL, STEEL, #12(3/8)	2	LA,XA,XXA

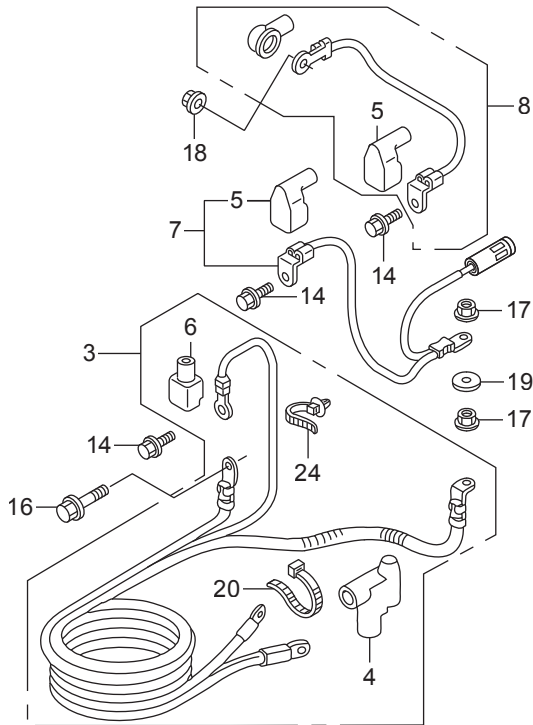
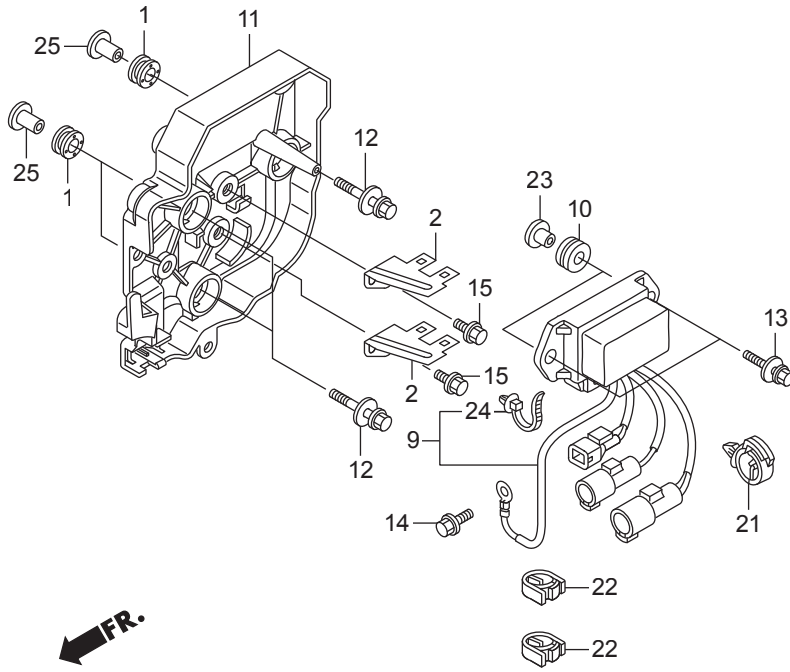


Ref.No.	Part No.	Description	Q' ty	Remarks	
			BFT250A		
F-5-1	1	HZX2-24101-C00	SHIFTER, CLUTCH	1	XCA,XXCA
F-5-1	2	HZY3-24102-000	PIN, SHIFTER, 8X50	1	XCA,XXCA
F-5-1	3	HZY3-24103-000	RING, CROSS PIN	1	XCA,XXCA
F-5-1	4	HZY3-24113-A01	SLIDER COMP., SHIFT	1	XCA,XXCA
F-5-1	5	HZY3-24122-A01	SLIDER, SHIFT	1	XCA,XXCA
F-5-1	6	HZY3-24123-000	SPRING, SHIFT	2	XCA,XXCA
F-5-1	7	HZY3-24124-310	PLATE, SHIFT	1	XCA,XXCA
F-5-1	8	HZX2-41141-E00	GEAR, BEVEL(FORWARD)(24T)	1	(COUNTER ROTATION) XCA,XXCA
F-5-1	9	HZX2-41150-E00	GEAR COMP., BEVEL(REVERSE)	1	(24T)(COUNTER ROTATION) XCA,XXCA
F-5-1	10	HZX2-41161-E00	SHAFT, PROPELLER	1	XCA,XXCA
F-5-1	11	HZX2-41201-C00ZC	HOLDER, PROPELLER SHAFT	1	*T107*BAY BLUE XCA,XXCA
F-5-1	13	HZY3-90123-000	BOLT, HEX., 12X45	2	XCA,XXCA
F-5-1	14	HZW1-90301-B00	NUT, CASTLE, 18MM	1	XCA
F-5-1	15	HZY3-90506-000	WASHER, PROPELLER THRUST	1	XCA
F-5-1	15	HZX2-90506-C00	WASHER, PROPELLER THRUST	1	XCA #7000011~
F-5-1	16	HZW5-90509-711	WASHER, THRUST BEARING	1	XCA,XXCA
F-5-1	17	HZY3-90512-000	WASHER, PROPELLER	1	XCA
F-5-1	17	HZX2-90512-C00	WASHER, PROPELLER	1	XCA #7000011~
F-5-1	18	HZX2-90528-C00	SHIM A, BEVEL(0.10)	1	XCA,XXCA
F-5-1	18	HZX2-90529-C00	SHIM B, BEVEL(0.15)	1	XCA,XXCA
F-5-1	18	HZX2-90530-C00	SHIM C, BEVEL(0.30)	1	XCA,XXCA
F-5-1	18	HZX2-90531-C00	SHIM D, BEVEL(0.50)	1	XCA,XXCA
F-5-1	19	HZX2-90528-E00	SHIM A, BEVEL(0.10)	1	(COUNTER ROTATION) XCA,XXCA
F-5-1	19	HZX2-90529-E00	SHIM B, BEVEL(0.15)	1	(COUNTER ROTATION) XCA,XXCA
F-5-1	19	HZX2-90530-E00	SHIM C, BEVEL(0.30)	1	(COUNTER ROTATION) XCA,XXCA
F-5-1	19	HZX2-90531-E00	SHIM D, BEVEL(0.50)	1	(COUNTER ROTATION) XCA,XXCA
F-5-1	20	HZX2-90541-E01	WASHER, THRUST, 85X110X2	1	XCA,XXCA
F-5-1	21	HZX2-90542-E01	WASHER, THRUST, 48X74X3	1	(COUNTER ROTATION) XCA,XXCA
F-5-1	22	HZV5-90559-000	WASHER, PLAIN, 12MM	2	XCA,XXCA

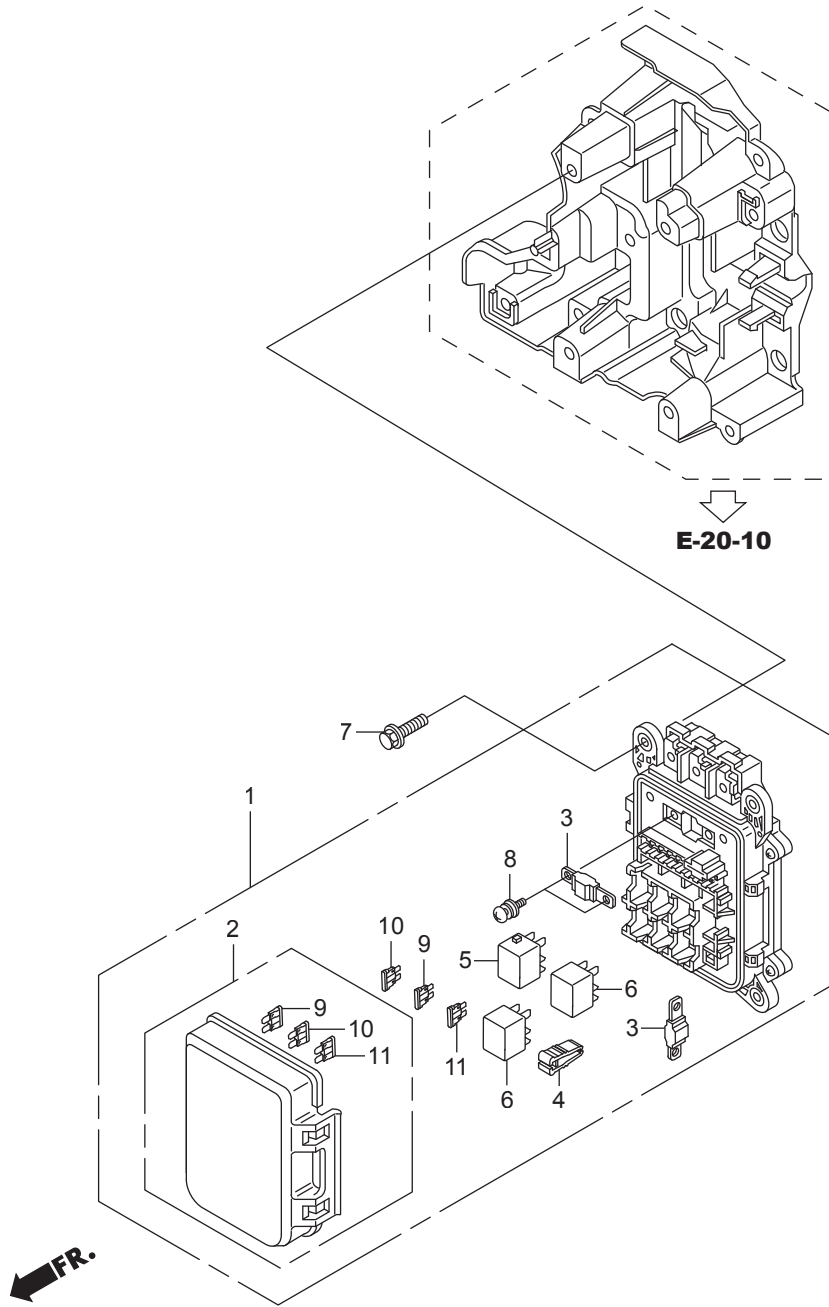


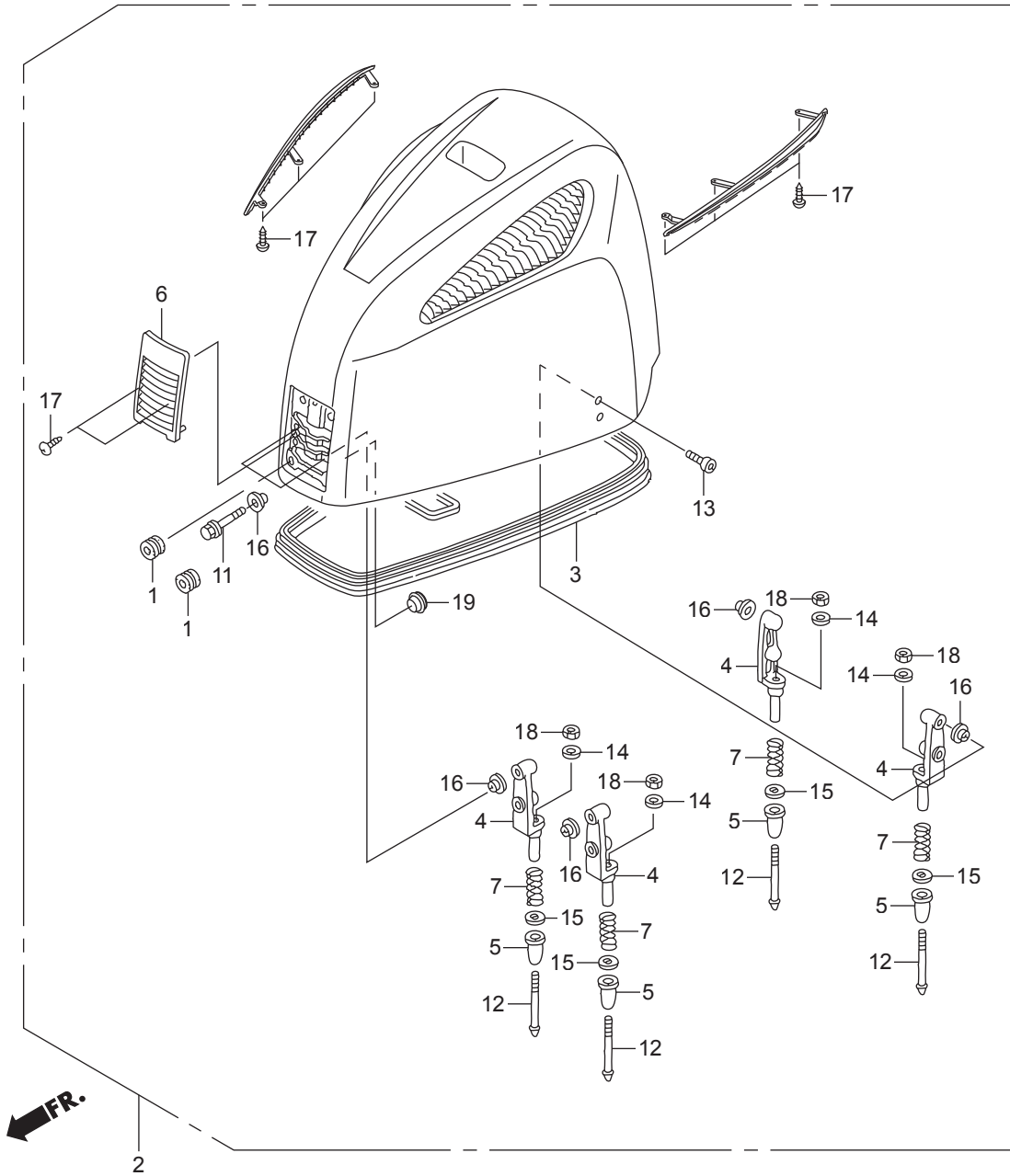


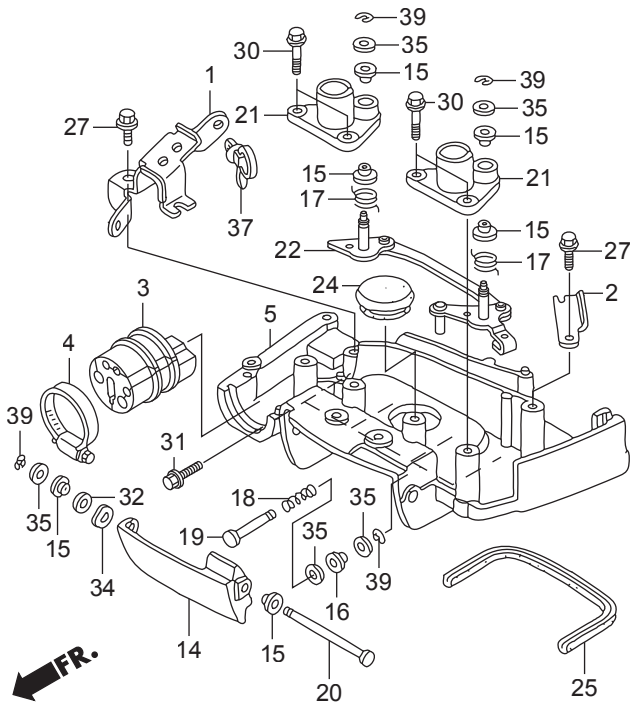
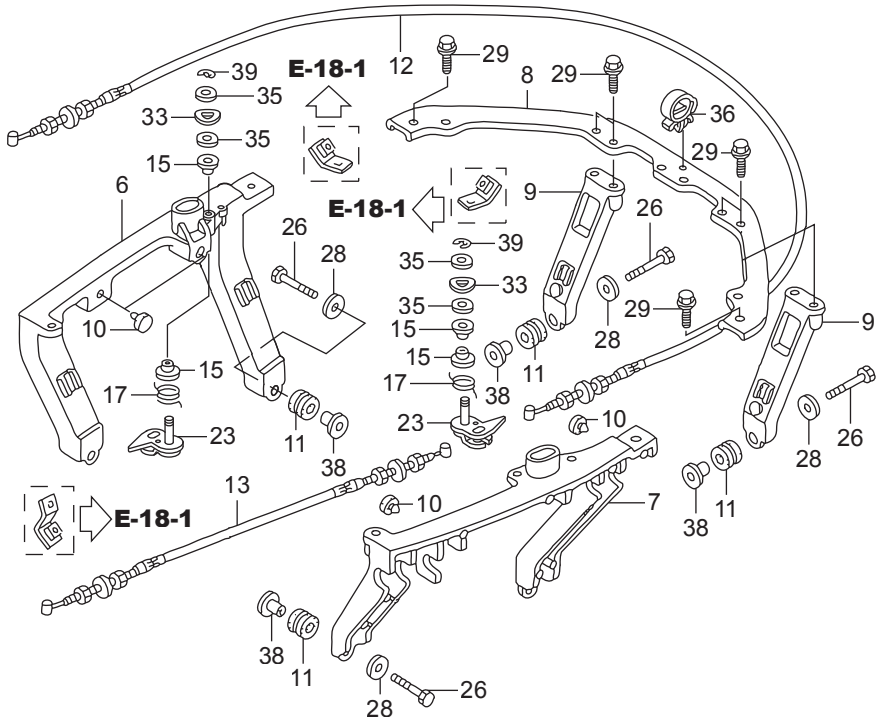




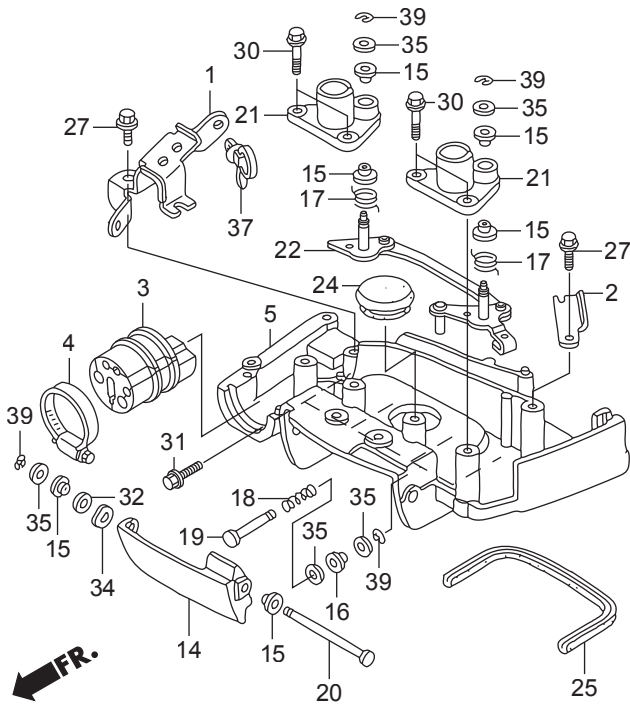
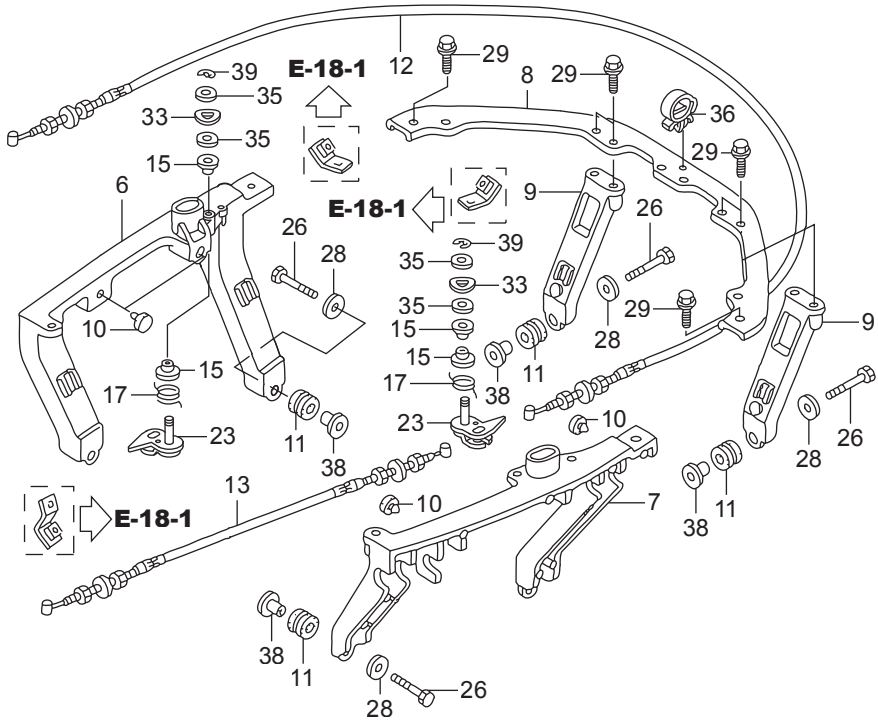
Ref.No.	Part No.	Description	Q' ty	Remarks	
			BFT250A		
F-7-10	1	HZY9-30419-003	GROMMET, ELECTRONIC PARTS CASE	3	
F-7-10	2	HZY9-32103-000	BRACKET C, COUPLER	2	
F-7-10	3	HZX2-32410-000	CABLE ASSY., STARTER	1	
F-7-10	4	HZY3-32411-003	COVER, STARTER TERMINAL	1	
F-7-10	5	HZX2-32414-300	COVER B, TERMINAL(L)	2	
F-7-10	6	HZY6-32414-640	COVER B, TERMINAL	1	
F-7-10	7	HZX2-32415-000	CABLE ASSY., POWER TILT RELAY	1	
F-7-10	8	HZX2-32435-000	CORD, A.C. GENERATOR	1	
F-7-10	9	HZX2-38550-003	RELAY ASSY., POWER TILT	1	
F-7-10	10	HZW1-38551-000	GROMMET, RELAY	2	
F-7-10	11	HZX2-38552-000	CASE, POWER TILT RELAY	1	
F-7-10	12	HZW2-90003-000	BOLT-WASHER, 6X27(CT200)	3	
F-7-10	13	HZW1-90013-000	BOLT-WASHER, 6X25	2	
F-7-10	14	HZW9-90013-000	BOLT, FLANGE, 6X12	4	
F-7-10	15	HZW9-90014-000	BOLT, FLANGE, 6X10	2	
F-7-10	16	HZY3-90107-000	BOLT, FLANGE, 8X18	1	
F-7-10	17	HZW1-90203-000	NUT-WASHER, 8MM	2	
F-7-10	18	HZY3-90304-000	NUT-WASHER, 6MM	1	
F-7-10	19	HZY3-90405-000	WASHER, PLAIN, 8MM	1	
F-7-10	20	HSB2-90620-003	BAND, WIRE HARNESS	1	LA,XA #~6000051
F-7-10	20	HSB2-90620-003	BAND, WIRE HARNESS	1	XCA #~7000006
F-7-10	20	HKV6-90651-003	BAND, WIRE, 165MM(BLACK)	1	LA,XA #6000052~ XCA #7000007~ XXA,XXCA
F-7-10	21	H763-90681-A01	CLIP, WIRE HARNESS	1	
F-7-10	22	HZX2-90683-003	CLIP, WIRE HARNESS	2	
F-7-10	23	HZZ5-91501-000	COLLAR, MOUNTING(6MM)	2	
F-7-10	24	HS0A-91541-003	CLIP, HARNESS BAND(BLACK)	4	(145MM)
F-7-10	25	HZV5-91553-010	COLLAR, C.D.I. UNIT CASE	3	

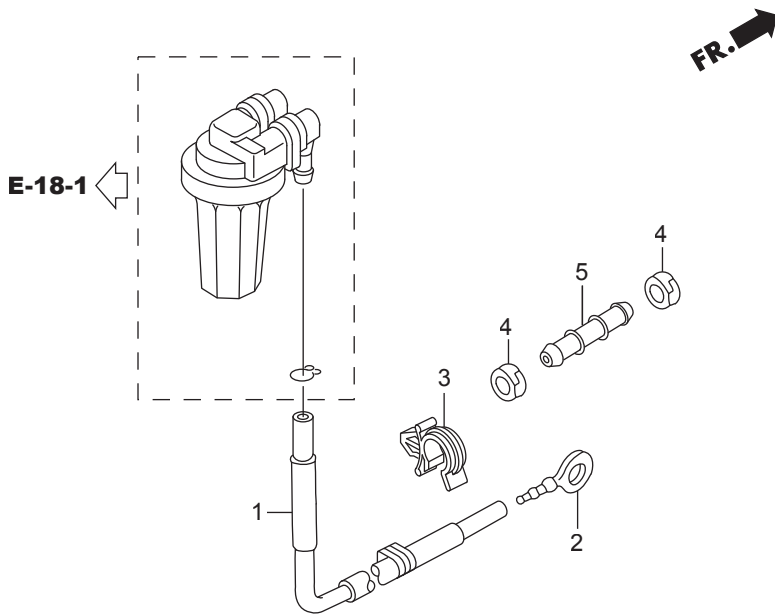


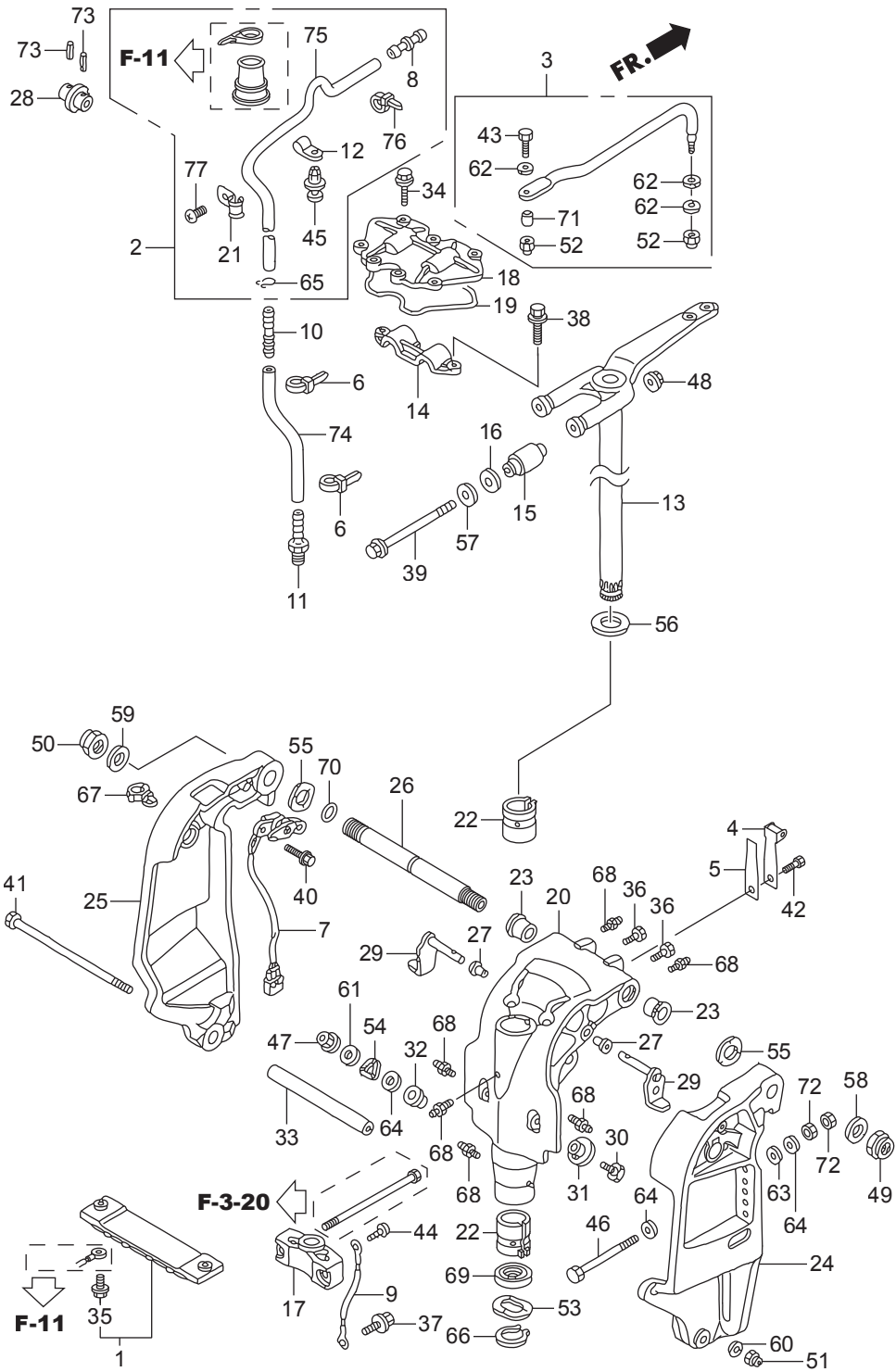




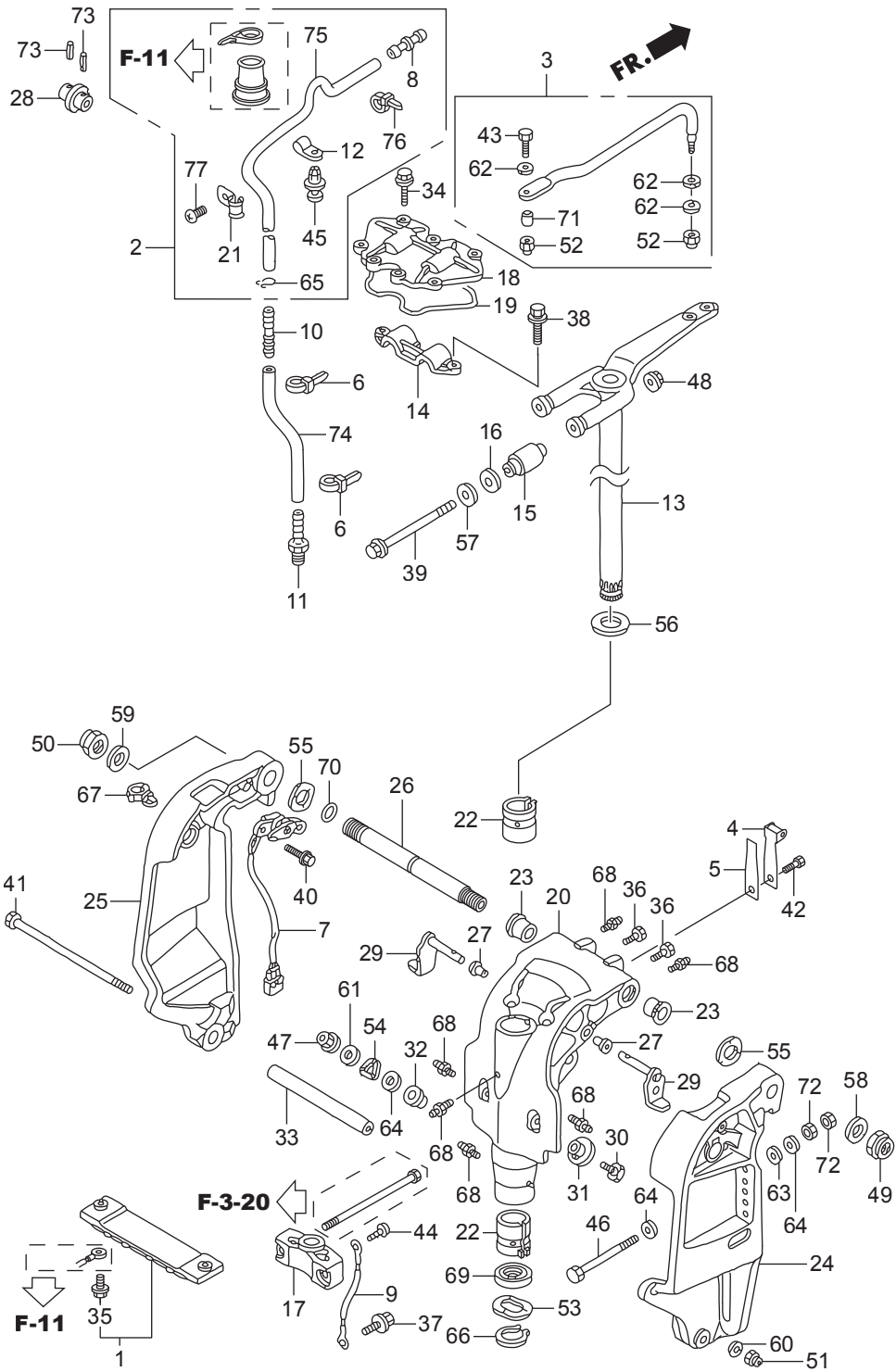
Ref.No.	Part No.	Description	Q' ty	Remarks	
			BFT250A		
F-8-10	1	HZY3-32419-A00	BRACKET, CABLE	1	
F-8-10	2	HZY3-32421-000	PLATE, STARTER CABLE	1	
F-8-10	3	HZY3-40105-C01	GROMMET A, UNDER CASE	1	
F-8-10	4	HZY3-40119-003	BAND, UNDER CASE GROMMET	1	
F-8-10	5	HZY3-40154-000ZA	BRACKET, FR. COVER	1	*NH8* DARK GRAY
F-8-10	6	HZY3-40155-000	BRACKET, R. SIDE COVER	1	
F-8-10	7	HZY3-40157-000	BRACKET, L. SIDE COVER	1	
F-8-10	8	HZY3-40158-000	BRACKET A, RR. COVER	1	
F-8-10	9	HZY3-40159-000	BRACKET B, RR. COVER	2	
F-8-10	10	H196-47117-000	RUBBER, STOPPER	4	
F-8-10	11	H121-51640-730	RUBBER, FR. CARRIER CUSHION	6	
F-8-10	12	HZY3-60180-C01	CABLE COMP. A, COVER LOCK	1	
F-8-10	13	HZY3-60185-C01	CABLE COMP. B, COVER LOCK	1	
F-8-10	14	HZY3-63201-000ZC	LEVER, COVER LOCK	1	*T107*BAY BLUE
F-8-10	15	HZY3-63205-000	BUSH A, COVER LOCK	10	
F-8-10	16	HZY3-63208-000	BUSH B, COVER LOCK	1	
F-8-10	17	HZY3-63212-000	SPRING, COVER LOCK HOOK	4	
F-8-10	18	HZY3-63223-000	SPRING, LOCK LEVER RETURN	1	
F-8-10	19	HZY3-63224-000	SHAFT, COVER OPEN	1	
F-8-10	20	HZY3-63225-000	SHAFT, FR. LOCK	1	
F-8-10	21	HZY3-63226-000	HOLDER, STRIKER	2	
F-8-10	22	HZY3-63230-C00	LOCK ASSY., FR.	1	
F-8-10	23	HZX2-63260-C00	LOCK COMP., SIDE	2	
F-8-10	24	HZC0-63515-700	CAP, L. SIDE COVER	1	
F-8-10	25	HZY3-63729-003	SEAL D, UNDER COVER	1	
F-8-10	26	HZV5-90009-000	BOLT, HEX., 8X35	6	
F-8-10	27	HZY3-90021-000	BOLT, FLANGE, 6X14	2	
F-8-10	28	HML0-90101-720	WASHER, PLAIN, 8MM	6	
F-8-10	29	HZW9-90102-000	BOLT, FLANGE, 6X12	6	



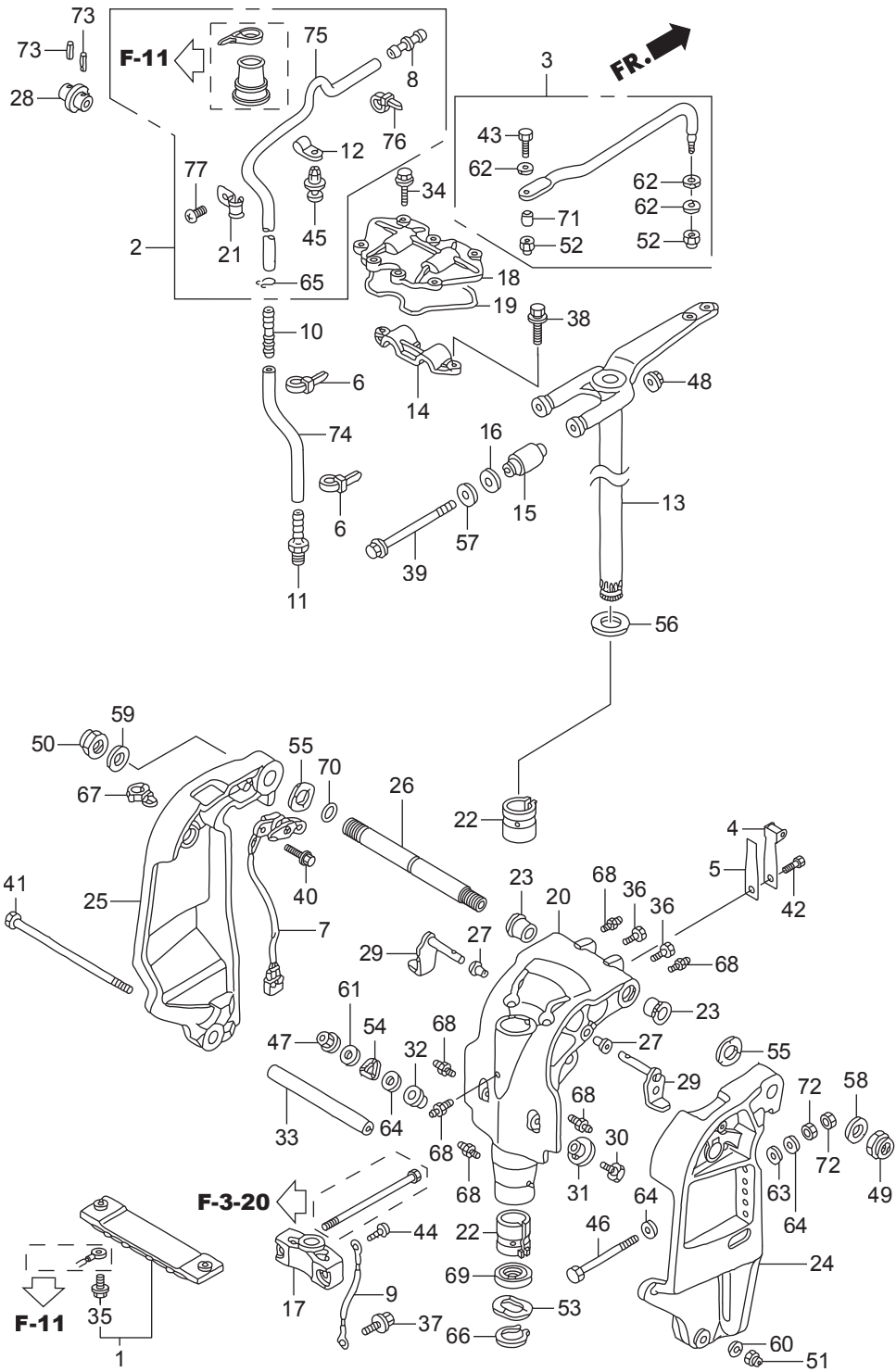




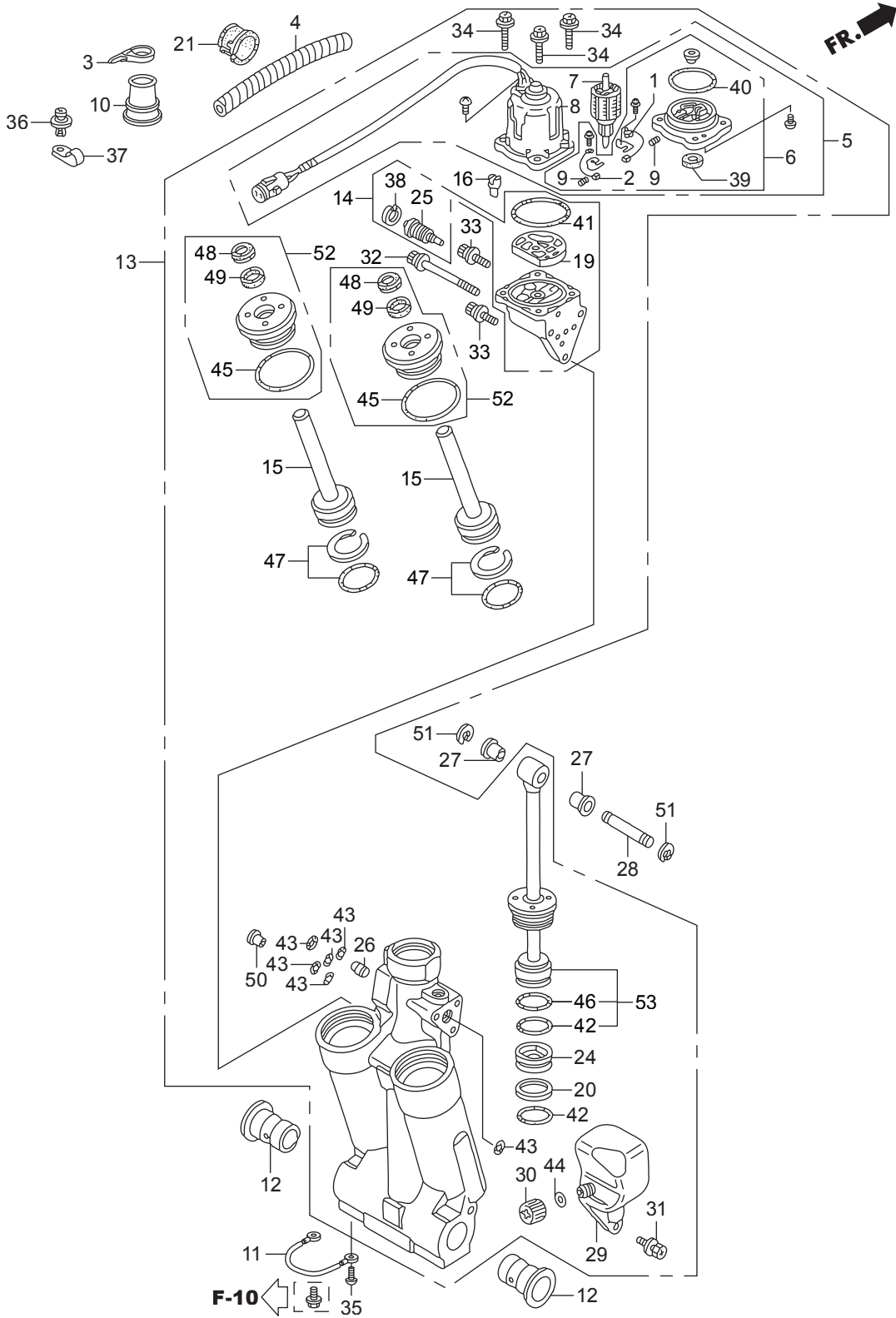
Ref.No.	Part No.	Description	Q' ty	Remarks	
			BFT250A		
F-10	1	HZW1-06411-020	METAL KIT, ANODE	1	
F-10	2	HZY3-06412-000	TUBE KIT, SPEED SENSOR	1	
F-10	3	HZY3-06532-U00	ROD KIT, STEERING	1	
F-10	4	HZV1-24210-010	SPRING COMP., CLICK	1	
F-10	5	HZV4-24221-010	SPRING, CLICK ASSIST	1	
F-10	6	HKM3-32161-003	BAND, WIRE	2	
F-10	7	HZY3-35660-003	SENSOR ASSY., TRIM ANGLE	1	
F-10	8	H663-38562-920	JOINT B, WASHER TUBE(MITSUBA)	1	
F-10	9	HZY3-40219-013	WIRE, LEAD(1.5X116MM)	1	
F-10	10	HZV5-41171-000	END, NIPPLE	1	
F-10	11	HZV5-41172-000	NIPPLE, SENSOR	1	
F-10	12	HZY3-41179-A00	CLAMPER, SENSOR TUBE	2	
F-10	13	HZY3-50100-A01	FRAME COMP., MOUNTING(L)	1	LA
F-10	13	HZY3-50100-A11	FRAME COMP., MOUNTING(XL)	1	XA,XCA,XXA,XXCA
F-10	14	HZY3-50109-000	HOUSING, UPPER MOUNTING	1	
F-10	15	HZY3-50151-000	MOUNT COMP., UPPER RUBBER	2	
F-10	16	HZY3-50153-000	RUBBER, UPPER MOUNT STOPPER	2	
F-10	17	HZY3-50161-000ZD	HOUSING, LOWER CENTER MOUNTING	1	*T107*BAY BLUE LA
F-10	17	HZY3-50161-610	HOUSING, LOWER CENTER MOUNTING	1	(XL) XA,XCA,XXA,XXCA
F-10	18	HZY3-50166-000	COVER, UPPER MOUNT	1	
F-10	19	HZY3-50168-000	SEAL, UPPER MOUNT COVER	1	
F-10	20	HZY3-50201-C01ZD	CASE, SWIVEL	1	*T107*BAY BLUE LA
F-10	20	HZY3-50201-C11ZC	CASE, SWIVEL	1	*T107*BAY BLUE XA,XCA,XXA,XXCA
F-10	21	HZY3-50209-A00	CLAMP, TUBE	2	
F-10	22	HZY3-50211-000	LINER, SWIVEL CASE	2	
F-10	23	HZY3-50214-000	BUSH, SWIVEL CASE	2	
F-10	24	HZY3-50301-030ZC	BRACKET, R. STERN	1	*T107*BAY BLUE
F-10	25	HZY3-50311-020ZC	BRACKET, L. STERN	1	*T107*BAY BLUE
F-10	26	HZY3-50381-000	SHAFT, TILTING	1	



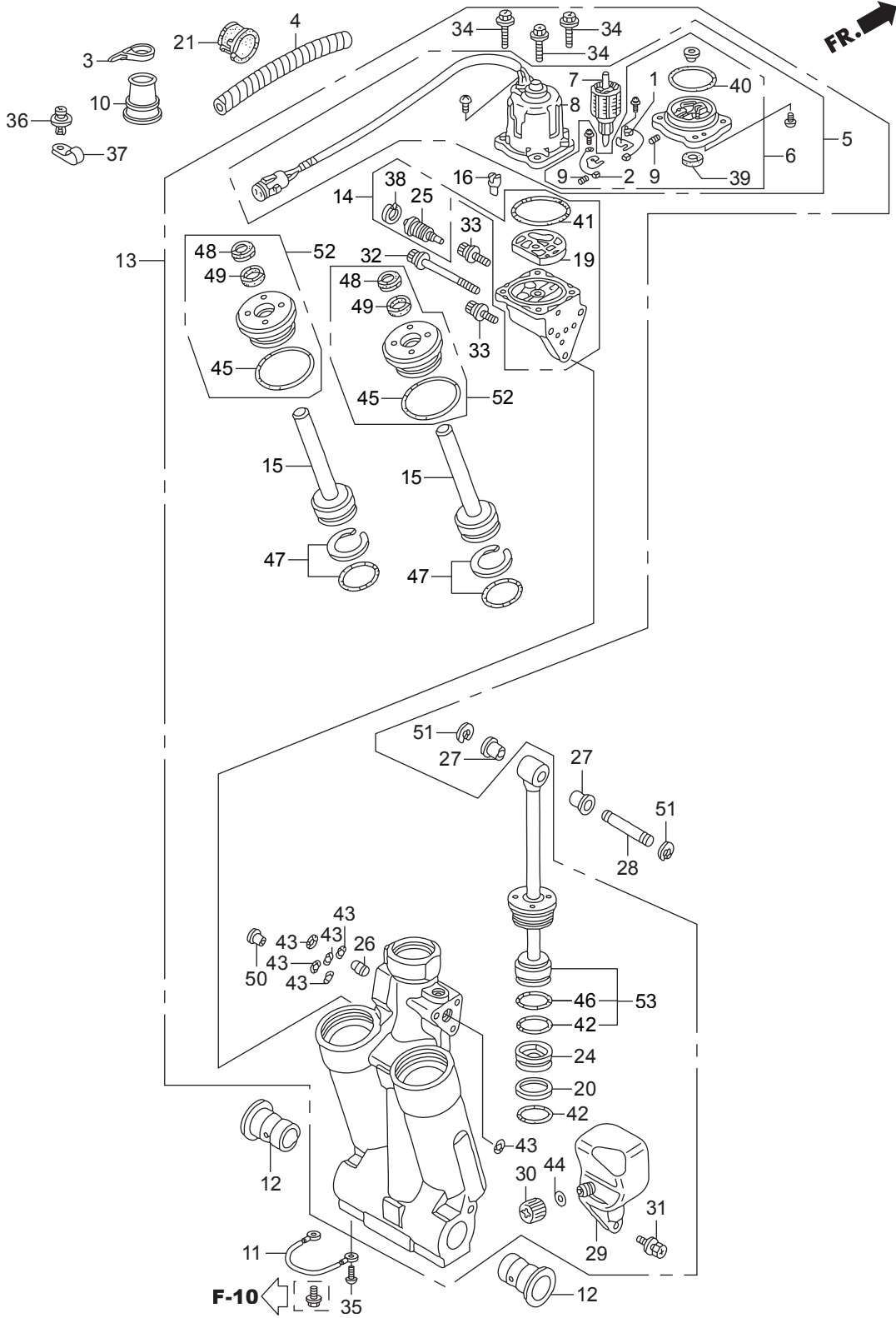
Ref.No.	Part No.	Description	Q' ty	Remarks	
			BFT250A		
F-10	27	HZY3-50522-000	BUSH, TILT ARM	2	
F-10	28	HZY3-50527-000	BRACKET, TILTING	1	
F-10	29	HZY3-50529-000	STOPPER, TILT	2	
F-10	30	HZY3-56516-A00	RECEIVER, THRUST	2	
F-10	31	HZY3-56518-A00	BUSH A, THRUST RECEIVE	2	
F-10	32	HZY3-56519-A00	BUSH B, THRUST RECEIVE	2	
F-10	33	HZW1-56539-000	COLLAR, LOWER CYLINDER	1	LA,XA #~6000063
F-10	33	HZW1-56539-000	COLLAR, LOWER CYLINDER	1	XCA #~7000008
F-10	33	HZZ0-56539-C00	COLLAR, LOWER CYLINDER	1	LA,XA #6000064~ XCA #7000009~ XXA,XXCA
F-10	34	HZW9-90005-000	BOLT, FLANGE, 6X20	7	
F-10	35	HZW9-90009-000	BOLT, FLANGE, 6X23	2	
F-10	36	HZW1-90102-000	BOLT, 1/4-28UNF	2	
F-10	37	HZW9-90103-010	BOLT, FLANGE, 6X12	1	
F-10	38	HZY6-90103-000	BOLT-WASHER, 10X32	3	
F-10	39	HZY3-90104-010	BOLT, HEX., 12X200	2	
F-10	40	HZW9-90105-000	BOLT, FLANGE, 6X20	2	
F-10	41	HZW1-90108-000	BOLT, HEX., 10X235	1	
F-10	42	H881-90110-000	BOLT, HEX., 6X14	1	
F-10	43	HZY3-90117-000	BOLT, 3/8-24UNF	1	
F-10	44	HZV5-90119-000	SCREW, PAN, 6X8	1	
F-10	45	HZV5-90127-003	SCREW, RIVET, 5X10	2	
F-10	46	HZX2-90129-000	BOLT, HEX., 12X130	6	
F-10	47	HZY1-90205-000	NUT, SELF-LOCK, 6MM	2	
F-10	48	HZW5-90302-003	NUT, FLANGE, 12MM	2	
F-10	49	HZV5-90304-013	NUT, SELF-LOCK(7/8-14UNF)	1	
F-10	50	HZW1-90304-013	NUT, SELF-LOCK(25X2.0)	1	
F-10	51	HZW4-90306-003	NUT, FLANGE, 10MM	1	



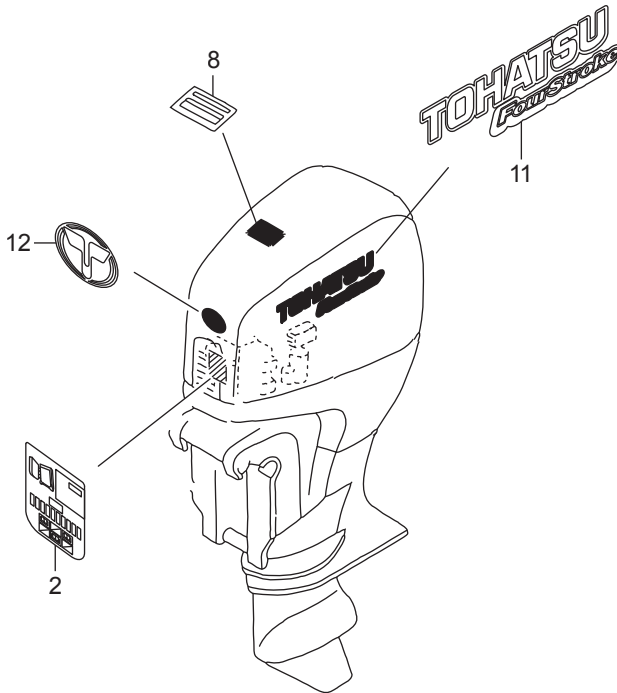
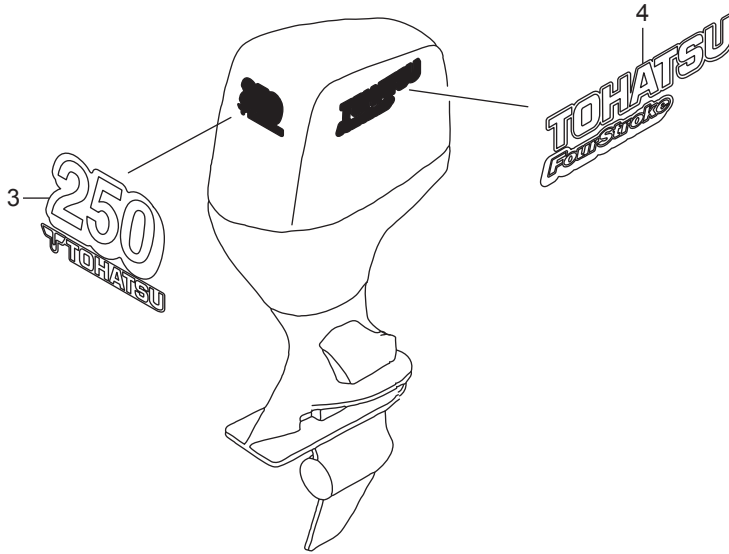
Ref.No.	Part No.	Description	Q' ty	Remarks	
			BFT250A		
F-10	52	HZV5-90307-003	NUT, SELF-LOCK(3/8-24UNF)	2	
F-10	53	HZV5-90501-000	WASHER, WAVE, 40MM	1	
F-10	54	HZY3-90501-A00	WASHER, WAVE, 12MM	2	
F-10	55	HZV5-90502-000	WASHER, WAVE, 26MM	2	
F-10	56	HZV5-90504-000	WASHER, THRUST, 34MM	1	
F-10	57	HZY3-90504-A00	WASHER, UPPER MOUNTING STOPPER	2	LA,XA,XCA
F-10	57	HZY3-90504-A00	WASHER, UPPER MOUNTING STOPPER	2	LA,XA #6000072~
F-10	57	HZX2-90504-C00	WASHER, UPPER MOUNTING STOPPER	2	XCA #7000011~ XXA,XXCA
F-10	58	HZY3-90509-000	WASHER, 7/8INCH	1	
F-10	59	HZY3-90510-000	WASHER, 25MM	1	
F-10	60	H921-90511-000	WASHER, PLAIN, 10MM	1	
F-10	61	HZV4-90512-000	WASHER, PLAIN, 6MM	2	
F-10	62	HZV4-90514-000	WASHER, 10MM	3	
F-10	63	HZV5-90552-000	WASHER, PLAIN, 12MM	6	
F-10	64	HZV5-90559-000	WASHER, PLAIN, 12MM	14	
F-10	65	H921-90602-000	CLIP, TUBE(B8)	1	
F-10	66	HZV5-90651-000	CIRCLIP, EXTERNAL, 39MM	1	
F-10	67	H763-90681-A01	CLIP, WIRE HARNESS	1	
F-10	68	HZV7-90951-010	NIPPLE, GREASE	6	
F-10	69	HZV5-91256-003	OIL SEAL, 39.5X52X6(ARAI)	1	
F-10	70	HZV5-91352-000	O-RING, 15.54X2.26	1	
F-10	71	HZY3-91560-000	COLLAR, STEERING ROD	1	
F-10	72	HCO-94001-12490-0S	NUT, HEX., 12MM	12	
F-10	73	HCO-94305-30203	PIN, SPRING, 3X20	2	
F-10	74	HCO-95005-50200-30	TUBE, 5X200	1	(HCO-95005-50001-30M)
F-10	75	HCO-95005-50950-30	TUBE, 5X950	1	(HCO-95005-50001-30M)
F-10	76	HKM3-32161-003	BAND, WIRE	1	
F-10	77	HZV5-90119-000	SCREW, PAN, 6X8	2	

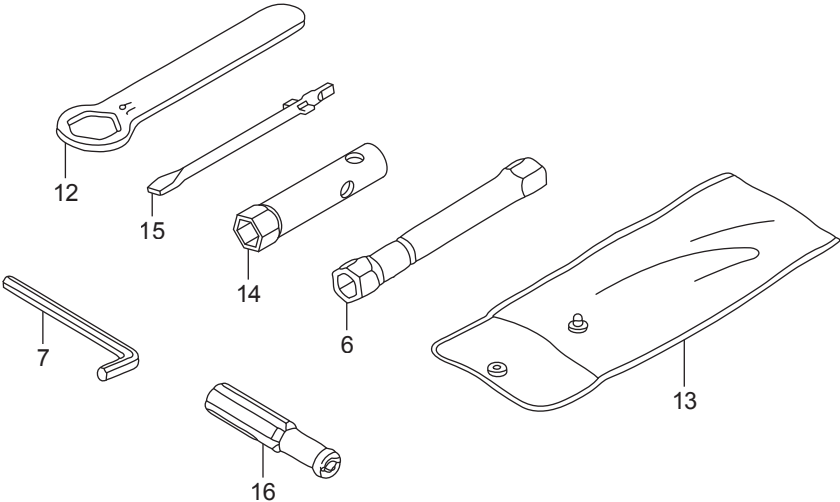


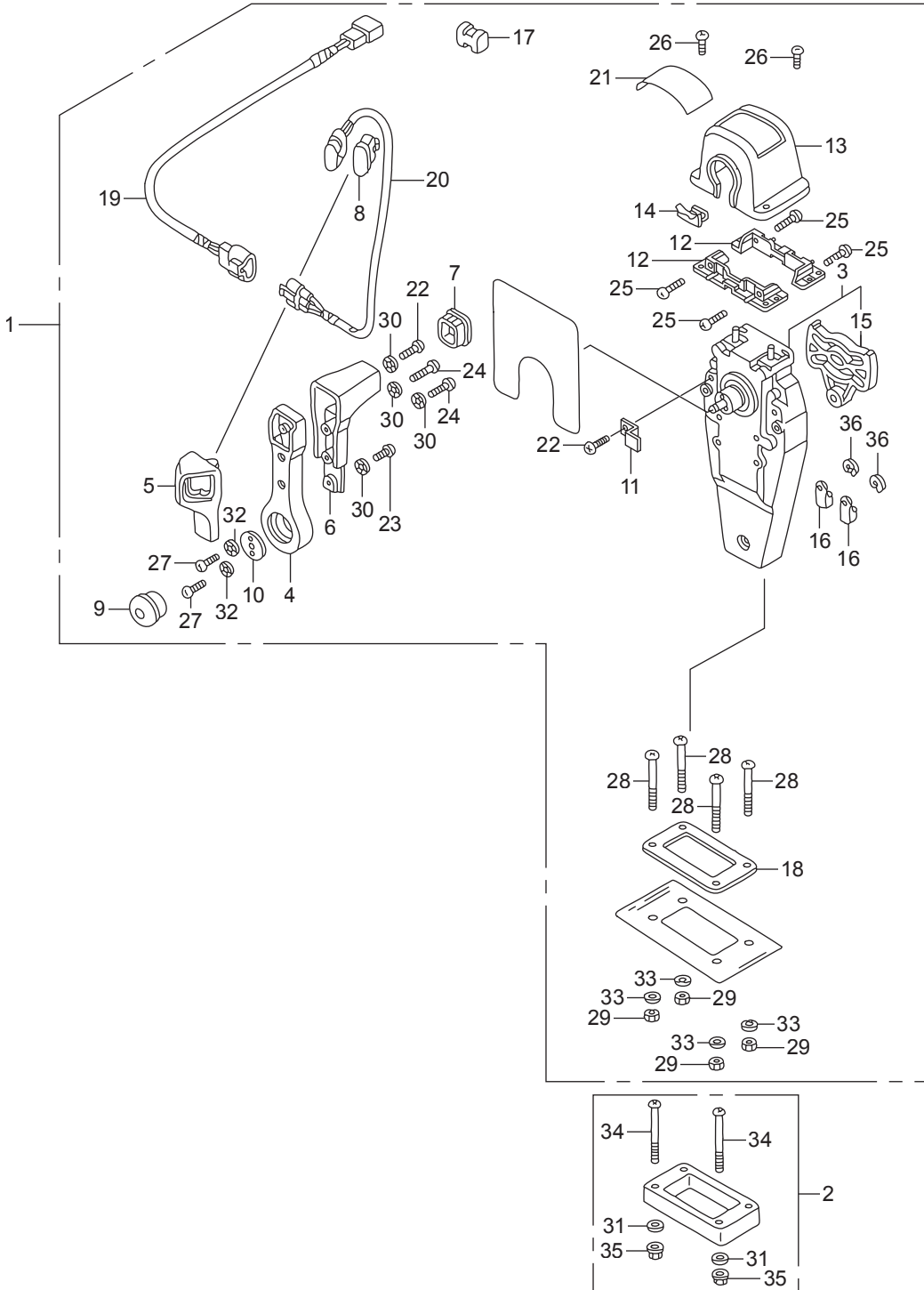
Ref.No.	Part No.	Description	Q' ty	Remarks	
			BFT250A		
F-11	1	HZX2-30280-003	BREAKER ASSY.	1	
F-11	2	HZX2-31106-003	BRUSH ASSY.	1	
F-11	3	HMG9-35701-950	BAND(BLACK 3.5X140)	1	
F-11	4	HZW1-36104-003	TUBE, SPIRAL(12X14.6)	1	
F-11	5	HZX2-36120-013	MOTOR ASSY., POWER TILT	1	
F-11	6	HZX2-36122-003	BRACKET ASSY.	1	
F-11	7	HZY3-36123-013	ARMATURE COMP.	1	
F-11	8	HZX2-36129-003	YOKE ASSY.	1	
F-11	9	HZV5-36136-821	SPRING, MOTOR	2	
F-11	10	HZW1-40107-700	GROMMET, UNDER CASE(C)	2	
F-11	11	HZY3-40219-013	WIRE, LEAD(1.5X116MM)	1	
F-11	12	HZV5-50214-003	BUSH, SWIVEL CASE	2	
F-11	13	HZX2-56000-023	TRIM-TILT ASSY., POWER	1	
F-11	14	HZY3-56100-013	PUMP ASSY.	1	
F-11	15	HZW1-56110-701	ROD COMP., PISTON(B)	2	
F-11	16	HZW1-56113-701	JOINT, DRIVE	1	
F-11					
F-11	19	HZW1-56116-701	FILTER B	1	
F-11	20	HZV5-56117-821	RING, BACK UP	1	
F-11	21	HZV5-56118-820	BUSH, MOTOR CODE	1	
F-11					
F-11	24	HZW1-56130-702	PISTON COMP., FREE	1	
F-11	25	HZY3-56170-013	VALVE COMP., MANUAL	1	
F-11	26	HZW1-56180-701	VALVE COMP., RESERVOIR	1	
F-11	27	HZV5-56513-000	BUSH, LOWER CYLINDER	2	
F-11	28	HZY3-56532-000	PIN, UPPER CYLINDER	1	LA,XA,XCA
F-11	28	HZY3-56532-000	PIN, UPPER CYLINDER	1	LA,XA #6000072~
F-11	28	HZX2-56532-C00	PIN, UPPER CYLINDER	1	XCA #7000011~ XXA,XXCA



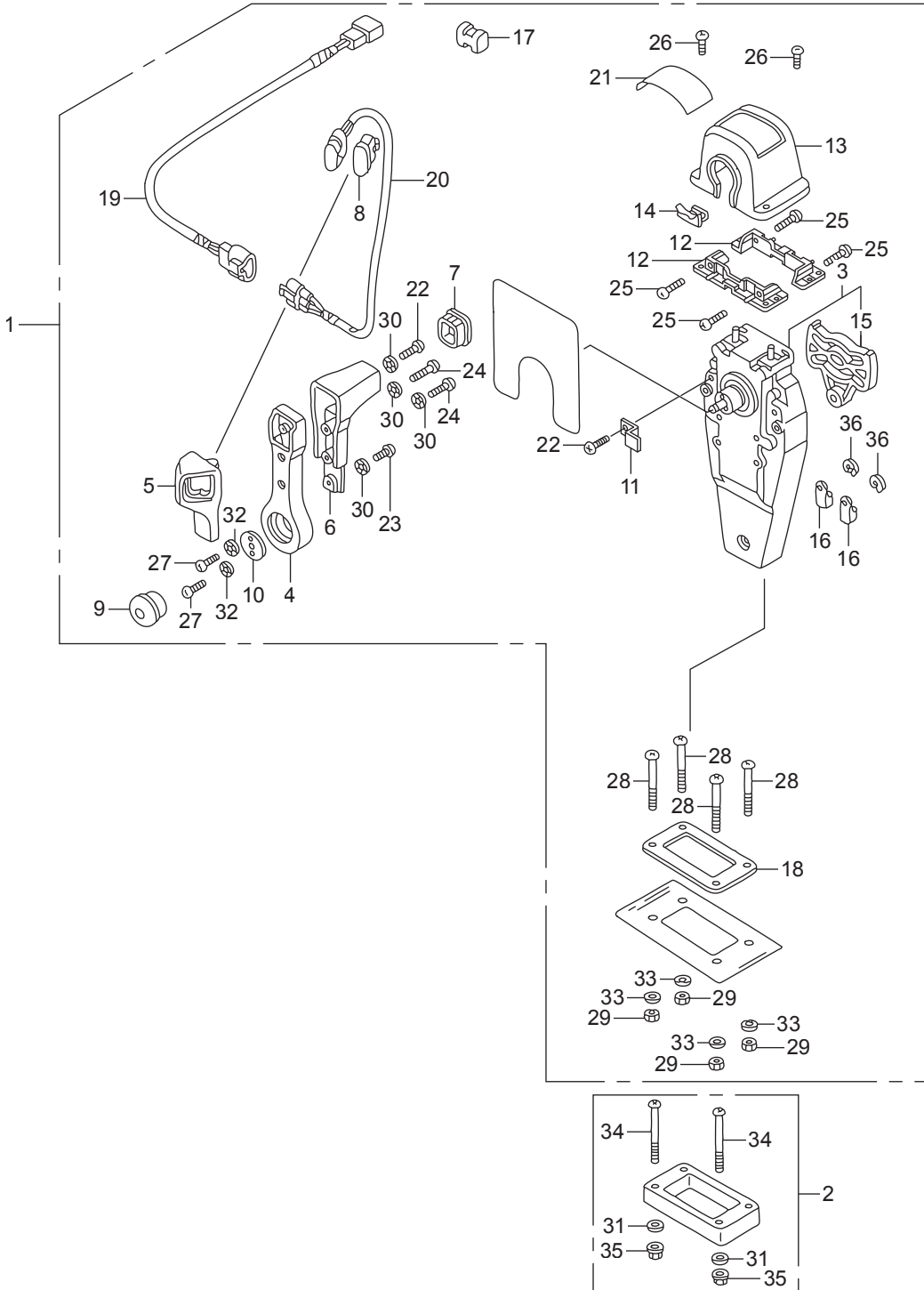
Ref.No.		Part No.	Description	Q' ty	Remarks
				BFT250A	
F-11	29	HZW1-56851-703	TANK, OIL	1	
F-11	30	HZW1-56860-701	CAP COMP., OIL TANK	1	
F-11	31	HZW1-90113-702	BOLT, RECESSED	3	
F-11	32	HZW1-90114-702	BOLT, SOCKET(A)	1	
F-11	33	HZW1-90115-702	BOLT, SOCKET(B)	2	
F-11	34	HZW1-90116-702	BOLT, HEX.	4	
F-11	35	HZV5-90119-000	SCREW, PAN, 6X8	1	
F-11	36	HZV5-90127-003	SCREW, RIVET, 5X10	1	
F-11	37	HSB0-90602-003	CLIP, 10.7MM	1	
F-11	38	HZW1-90652-702	CIRCLIP, INTERNAL	1	
F-11	39	HZV5-91203-821	OIL SEAL	1	
F-11	40	HZW1-91207-013	O-RING, 2.0X70.5	1	
F-11	41	HZV5-91302-821	O-RING, 1.8X69.6	1	
F-11	42	HZV5-91316-821	O-RING, 3.5X38.7	2	
F-11	43	HZW1-91352-702	O-RING, 1.8X7.7	6	
F-11	44	HZW1-91353-703	O-RING, 1.9X11	1	
F-11	45	HZW1-91354-701	O-RING, 3.5X35.7	2	
F-11	46	HZW1-91355-701	O-RING, 3.5X41.7	1	
F-11	47	HZW1-91357-701	O-RING SET, 3.5X31.7	2	
F-11	48	HZW1-91358-701	SEAL, WATER	2	
F-11	49	HZW1-91361-701	PACKING	2	
F-11	50	HZW1-91557-701	COLLAR, ORIFICE	1	
F-11	51	HCO-94540-15029	E-RING, 15MM	2	
F-11	52	HZY9-56115-003	GUIDE COMP., ROD	2	
F-11	53	HZY3-56120-013	ROD COMP., PISTON	1	

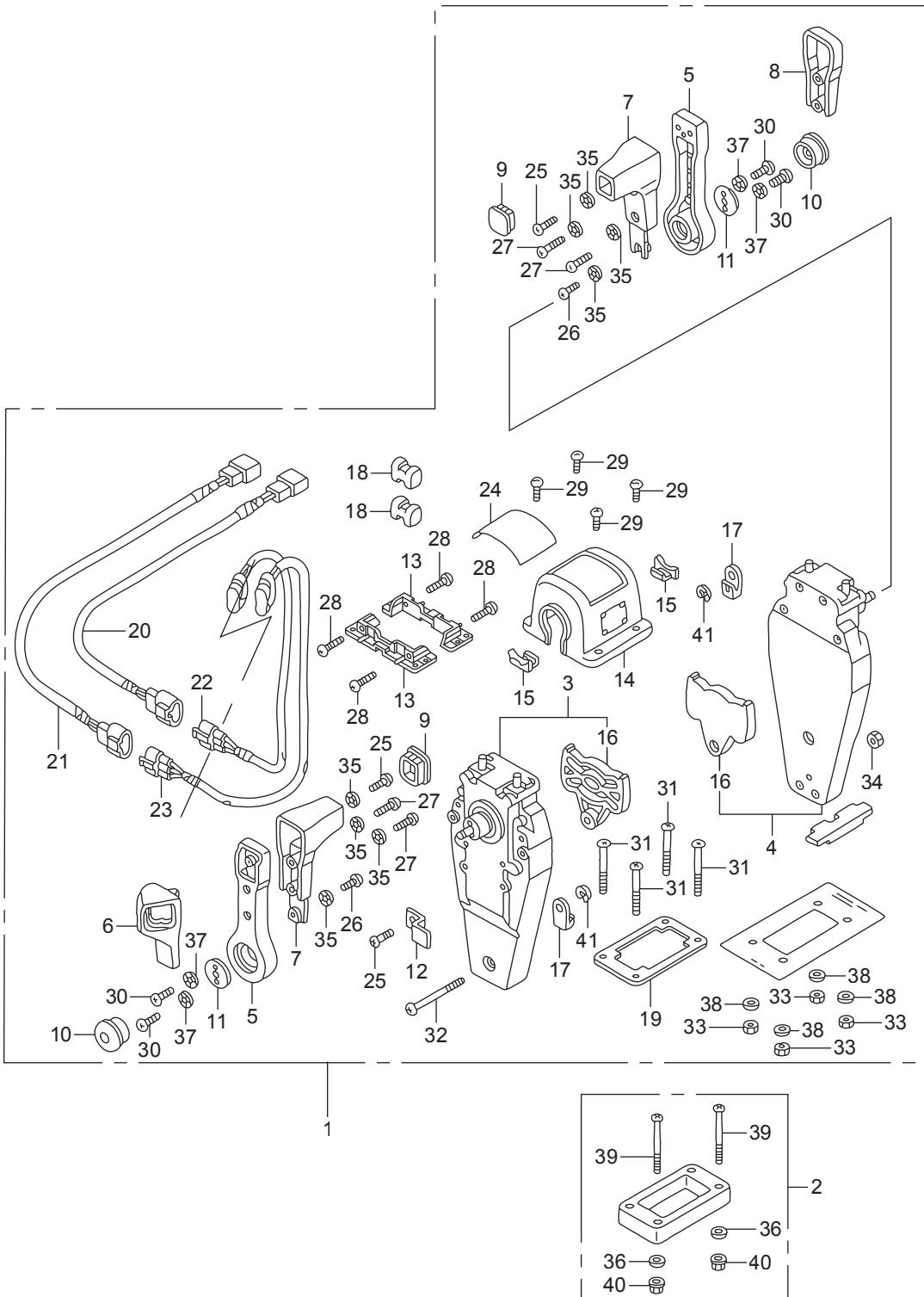




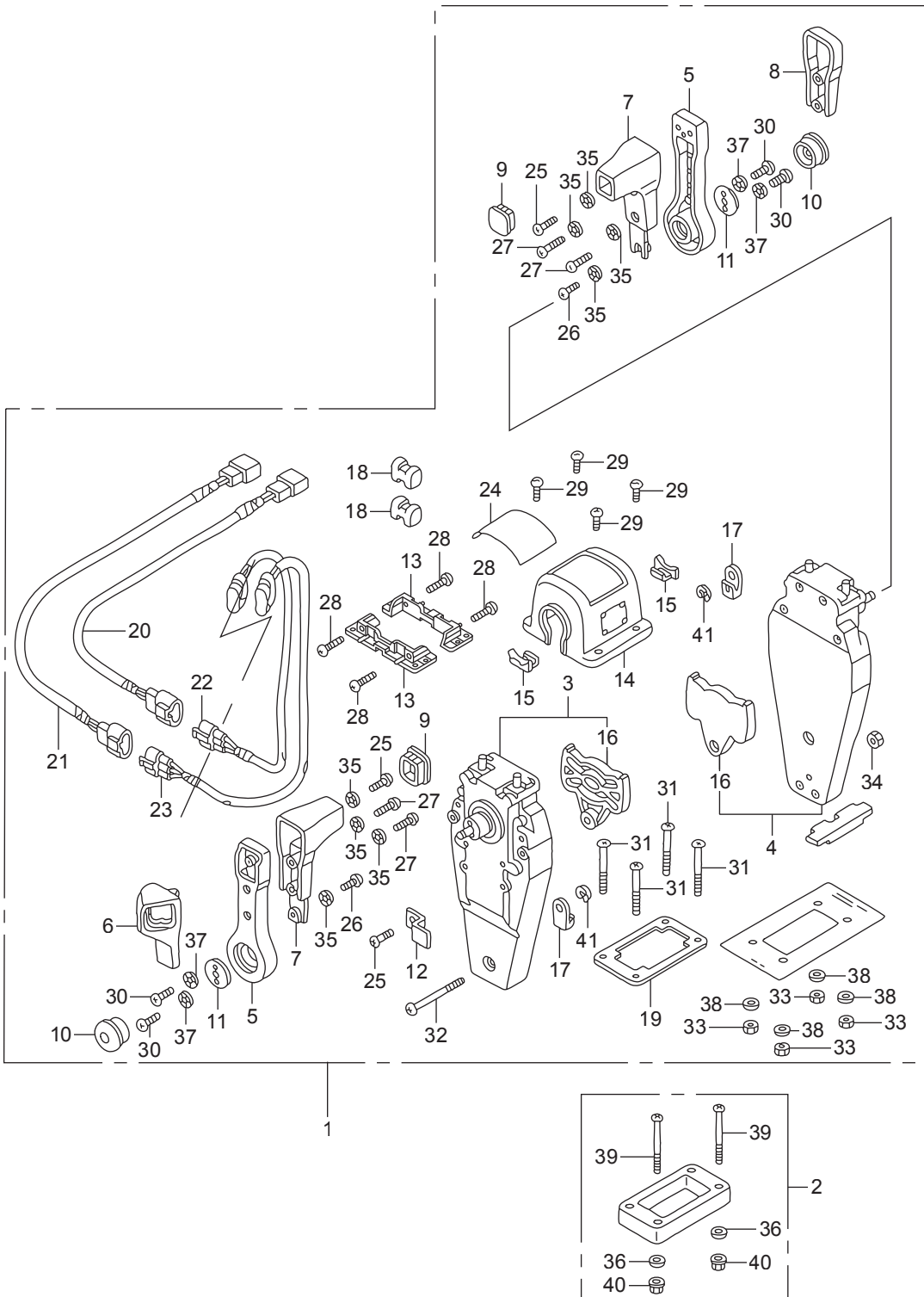


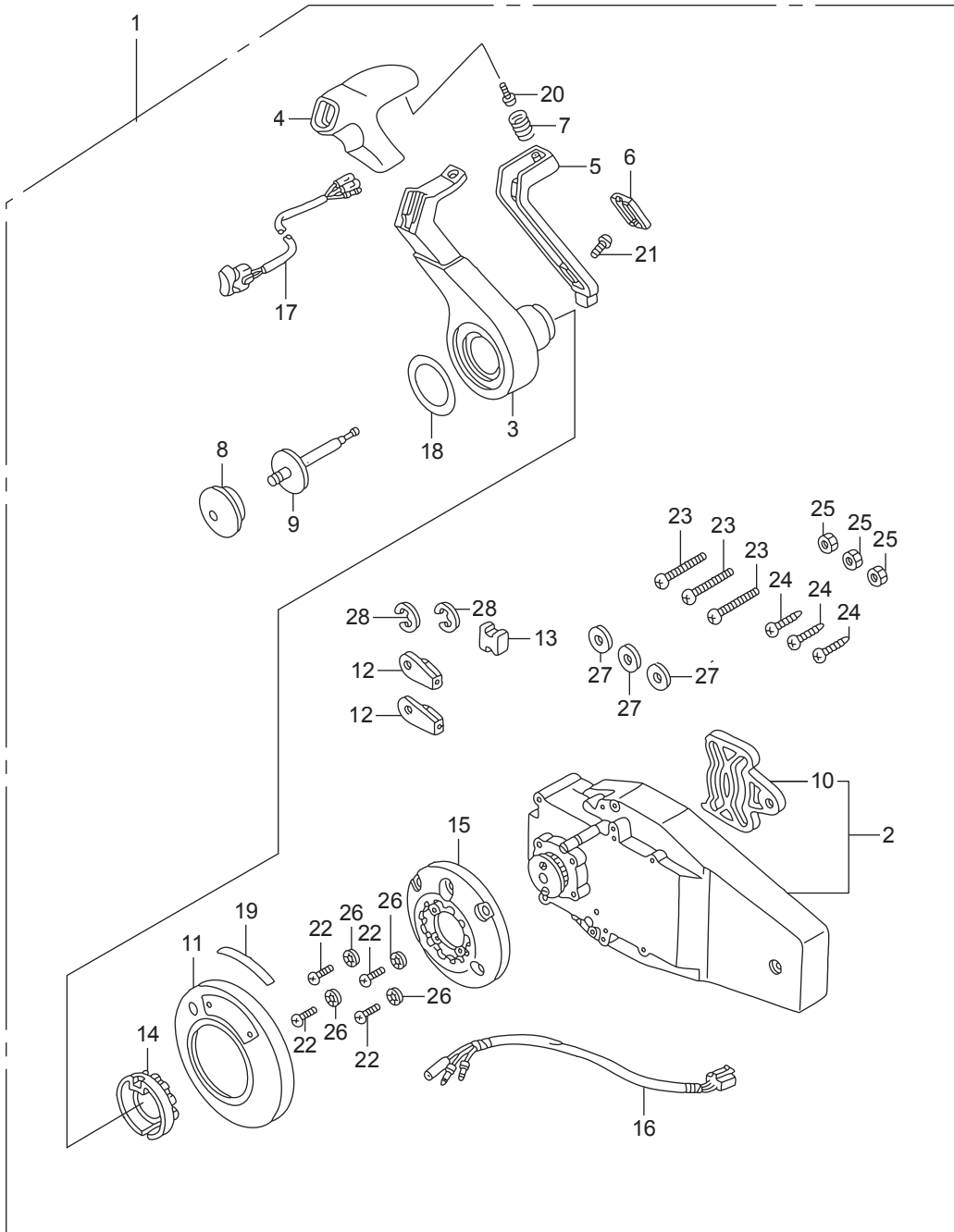
Ref.No.	Part No.	Description	Q' ty	Remarks	
			BFT250A		
FOP-1	1	HZZ3-06240-R30	BOX KIT, REMOTE CONTROL	1	(TOP MOUNT SINGLE)(R.)
FOP-1	2	HZW5-06241-U00	SPACER KIT, REMOTE CONTROL BOX	1	(TOP MOUNT SINGLE)
FOP-1	3	HZW5-24810-U01	HOUSING ASSY., L. INNER	1	(TOP MOUNT)
FOP-1	4	HZW5-24811-U01	HANDLE, REMOTE CONTROL	1	
FOP-1	5	HZW5-24812-U01	COVER, L. GRIP	1	
FOP-1	6	HZW5-24813-U01	GRIP, REMOTE CONTROL HANDLE	1	
FOP-1	7	HZW5-24814-U01	CAP, GRIP	1	
FOP-1	8	HZW5-24815-U01	CAP, SWITCH	1	
FOP-1	9	HZW5-24816-U01	BUTTON, THROTTLE	1	
FOP-1	10	HZW5-24817-U01	PLATE, HANDLE	1	
FOP-1	11	HZW5-24818-U01	PLATE, CABLE CLAMP	1	
FOP-1	12	HZW5-24819-U01	BRACKET, REMOTE CONTROL	2	HOUSING
FOP-1	13	HZZ3-24820-R11	HOUSING COMP., REMOTE CONTROL	1	BOX
FOP-1	14	HZW5-24825-U01	HOUSING, LEAD	1	
FOP-1	15	HZW5-24826-U01	PLATE, DWELL	1	
FOP-1	16	HZW5-24831-U01	TERMINAL, CABLE	2	
FOP-1	17	HZW5-24832-U01	SPACER, CABLE CLAMP	1	
FOP-1	18	HZW5-24834-U01	PACKING, SINGLE	1	
FOP-1	19	HZW7-32530-U00	SUB HARNESS ASSY., POWER	1	TRIM-TILT(A)
FOP-1	20	HZW5-35370-U02	SWITCH ASSY., POWER TRIM-TILT	1	(A)
FOP-1	21	HZZ3-87703-R81	MARK, REMOTE CONTROL(SINGLE)	1	
FOP-1	22	HZW5-90101-U00	SCREW, PAN, 5X16	2	
FOP-1	23	HZW5-90102-U00	SCREW, PAN, 5X10	1	
FOP-1	24	HZW5-90103-U01	SCREW, PAN, 5X20	2	
FOP-1	25	HZW5-90104-U00	SCREW, PAN, 5X18	4	
FOP-1	26	HZW5-90105-U01	SCREW, PAN, 4X10	2	
FOP-1	27	HZW5-90106-U00	SCREW, PAN, 6X18	2	
FOP-1	28	HZW5-90107-U00	SCREW, PAN, 5X40	4	
FOP-1	29	HZW5-90301-U00	NUT, HEX., 5MM	4	





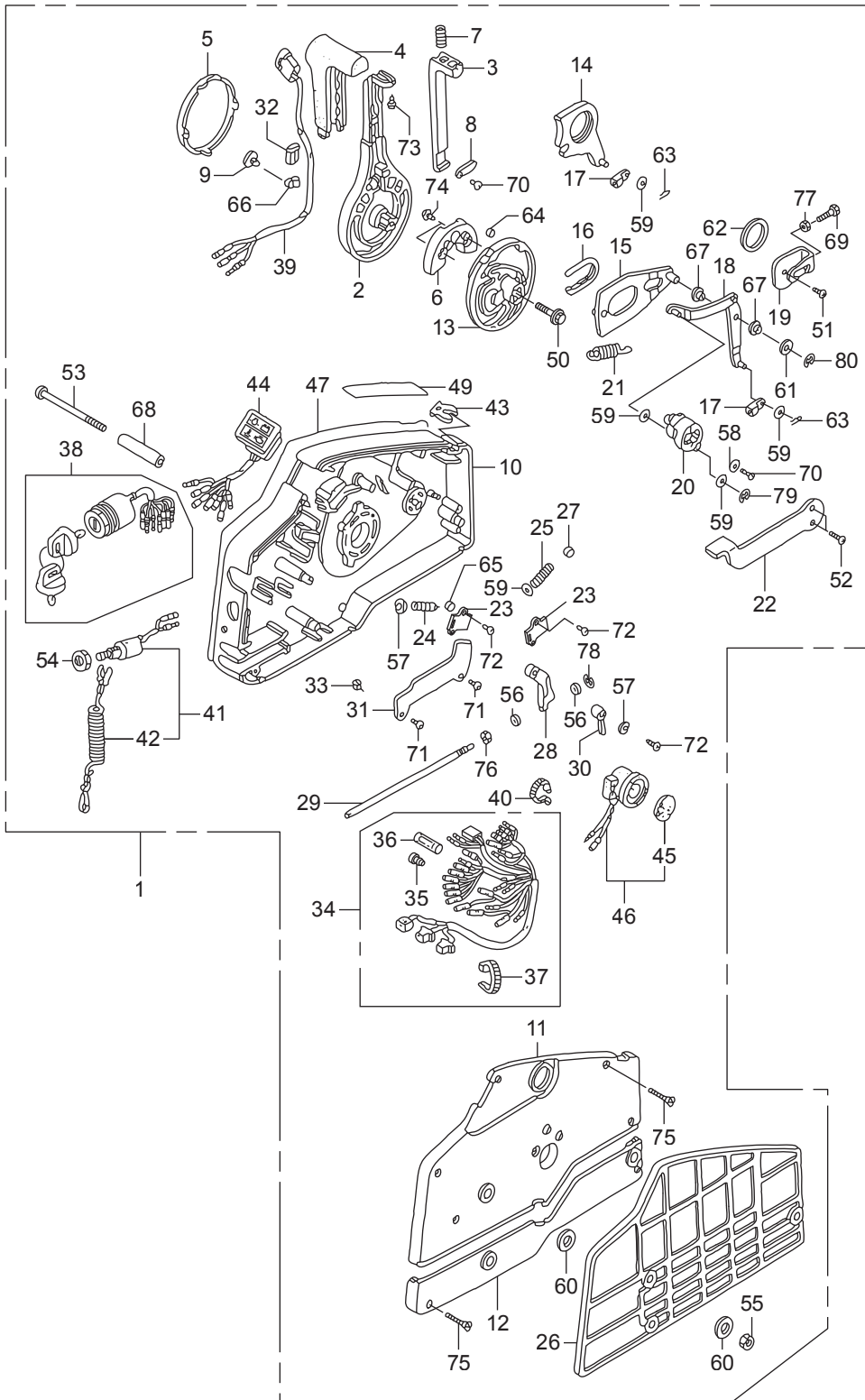
Ref.No.	Part No.	Description	Q' ty	Remarks	
			BFT250A		
FOP-1-2	1	HZZ3-06240-R60	BOX KIT, REMOTE CONTROL	1	(TOP MOUNT DUAL)(R.)
FOP-1-2	2	HZW5-06241-U10	SPACER KIT, REMOTE CONTROL BOX	1	(TOP MOUNT DUAL)
FOP-1-2	3	HZW5-24810-U01	HOUSING ASSY., L. INNER	1	(TOP MOUNT)
FOP-1-2	4	HZW5-24810-U11	HOUSING ASSY., R. INNER	1	(TOP MOUNT)
FOP-1-2	5	HZW5-24811-U01	HANDLE, REMOTE CONTROL	2	
FOP-1-2	6	HZW5-24812-U01	COVER, L. GRIP	1	
FOP-1-2	7	HZW5-24813-U01	GRIP, REMOTE CONTROL HANDLE	2	
FOP-1-2	8	HZW5-24813-U21	COVER, DUAL GRIP	1	
FOP-1-2	9	HZW5-24814-U01	CAP, GRIP	2	LA,XA,XCA
FOP-1-2	10	HZW5-24816-U01	BUTTON, THROTTLE	2	
FOP-1-2	11	HZW5-24817-U01	PLATE, HANDLE	2	
FOP-1-2	12	HZW5-24818-U01	PLATE, CABLE CLAMP	1	
FOP-1-2	13	HZW5-24819-U01	BRACKET, REMOTE CONTROL	2	HOUSING
FOP-1-2	14	HZZ3-24820-R21	HOUSING COMP., REMOTE CONTROL	1	BOX(DUAL)
FOP-1-2	15	HZW5-24825-U01	HOUSING, LEAD	2	
FOP-1-2	16	HZW5-24826-U01	PLATE, DWELL	2	
FOP-1-2	17	HZW5-24831-U01	TERMINAL, CABLE	4	
FOP-1-2	18	HZW5-24832-U01	SPACER, CABLE CLAMP	2	
FOP-1-2	19	HZW5-24834-U21	PACKING, DUAL	1	
FOP-1-2	20	HZW7-32530-U00	SUB HARNESS ASSY., POWER	1	TRIM-TILT(A)
FOP-1-2	21	HZW7-32530-U10	SUB HARNESS ASSY., POWER	1	TRIM-TILT(B)
FOP-1-2	22	HZW5-35370-U02	SWITCH ASSY., POWER TRIM-TILT	1	(A)
FOP-1-2	23	HZW5-35370-U12	SWITCH ASSY., POWER TRIM-TILT	1	(B)
FOP-1-2	24	HZZ3-87703-R01	MARK, REMOTE CONTROL(DUAL)	1	
FOP-1-2	25	HZW5-90101-U00	SCREW, PAN, 5X16	3	
FOP-1-2	26	HZW5-90102-U00	SCREW, PAN, 5X10	2	
FOP-1-2	27	HZW5-90103-U01	SCREW, PAN, 5X20	4	
FOP-1-2	28	HZW5-90104-U00	SCREW, PAN, 5X18	4	
FOP-1-2	29	HZW5-90105-U01	SCREW, PAN, 4X10	4	





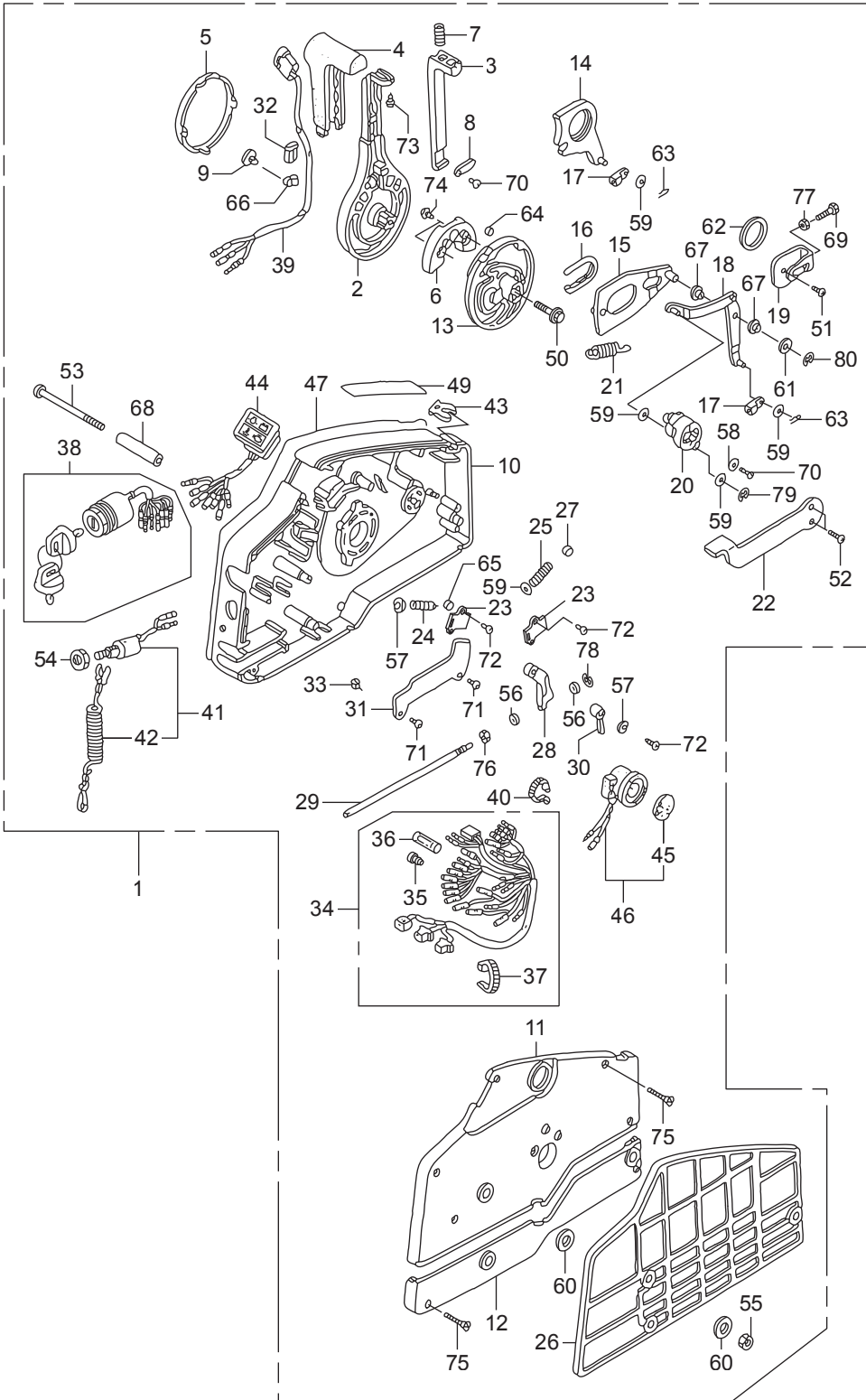
Ref.No.	Part No.	Description	Q' ty	Remarks	
			BFT250A		
FOP-1-4	1	HZZ3-06240-R40	BOX KIT, REMOTE CONTROL	1	(FLUSH MOUNT)(R.)
FOP-1-4	2	HZW7-24810-U01	HOUSING ASSY., R. INNER	1	(FLUSH MOUNT)
FOP-1-4	3	HZW7-24811-U01	HANDLE, REMOTE CONTROL	1	
FOP-1-4	4	HZW7-24812-U01	COVER, GRIP	1	
FOP-1-4	5	HZW7-24813-U01	ARM, NEUTRAL LOCK	1	
FOP-1-4	6	HZW7-24814-U01	COVER, LOCK ARM	1	
FOP-1-4	7	HZW7-24815-U01	SPRING, NEUTRAL LOCK ARM	1	
FOP-1-4	8	HZW5-24816-U01	BUTTON, THROTTLE	1	
FOP-1-4	9	HZW7-24817-U01	SHAFT, THROTTLE BUTTON	1	
FOP-1-4	10	HZW5-24826-U01	PLATE, DWELL	1	
FOP-1-4	11	HZZ3-24830-R41	COVER ASSY.	1	
FOP-1-4	12	HZW5-24831-U01	TERMINAL, CABLE	2	
FOP-1-4	13	HZW5-24832-U01	SPACER, CABLE CLAMP	1	
FOP-1-4	14	HZW7-24832-U01	HOLDER, NEUTRAL LOCK	1	
FOP-1-4	15	HZW7-24833-U01	BASE	1	
FOP-1-4	16	HZW7-32530-U20	SUB HARNESS ASSY., POWER	1	TRIM-TILT(C)
FOP-1-4	17	HZW7-35370-U02	SWITCH ASSY., POWER TRIM-TILT	1	(C)
FOP-1-4	18	HZZ3-87701-R40	MARK, HANDLE FLUSH MOUNT	1	
FOP-1-4	19	HZW7-87703-U00	MARK, FLUSH MOUNT	1	
FOP-1-4	20	HZW5-90101-U00	SCREW, PAN, 5X16	1	
FOP-1-4	21	HZW7-90101-U01	SCREW, TRUSS, 4X12	1	
FOP-1-4	22	HZW7-90102-U01	SCREW, PAN, 5X30	4	
FOP-1-4	23	HZW7-90103-U01	SCREW, PAN, 6X35	3	
FOP-1-4	24	HZW7-90104-U01	SCREW, TAPPING, 6X30	3	
FOP-1-4	25	HZW7-90301-U01	NUT, HEX., 6MM	3	
FOP-1-4	26	HZW5-90501-U00	WASHER, LOCK, 5MM	4	
FOP-1-4	27	HZW7-90502-U00	WASHER, PLAIN, 6MM	3	
FOP-1-4	28	HCO-94540-06029	E-RING, 6MM	2	

REMOTE CONTROL
(HI-LEX) (HANDLE CAP = GRAY)

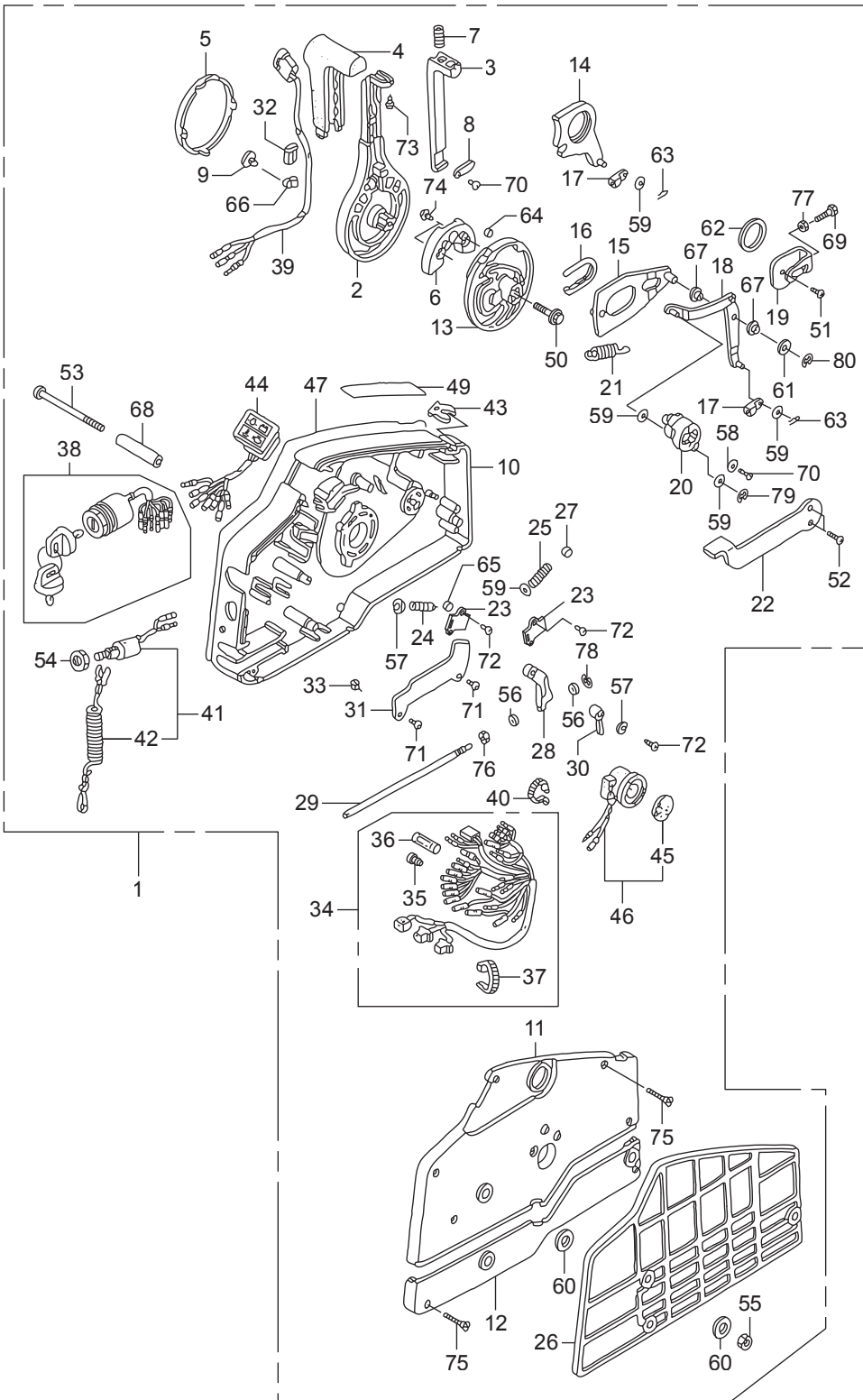


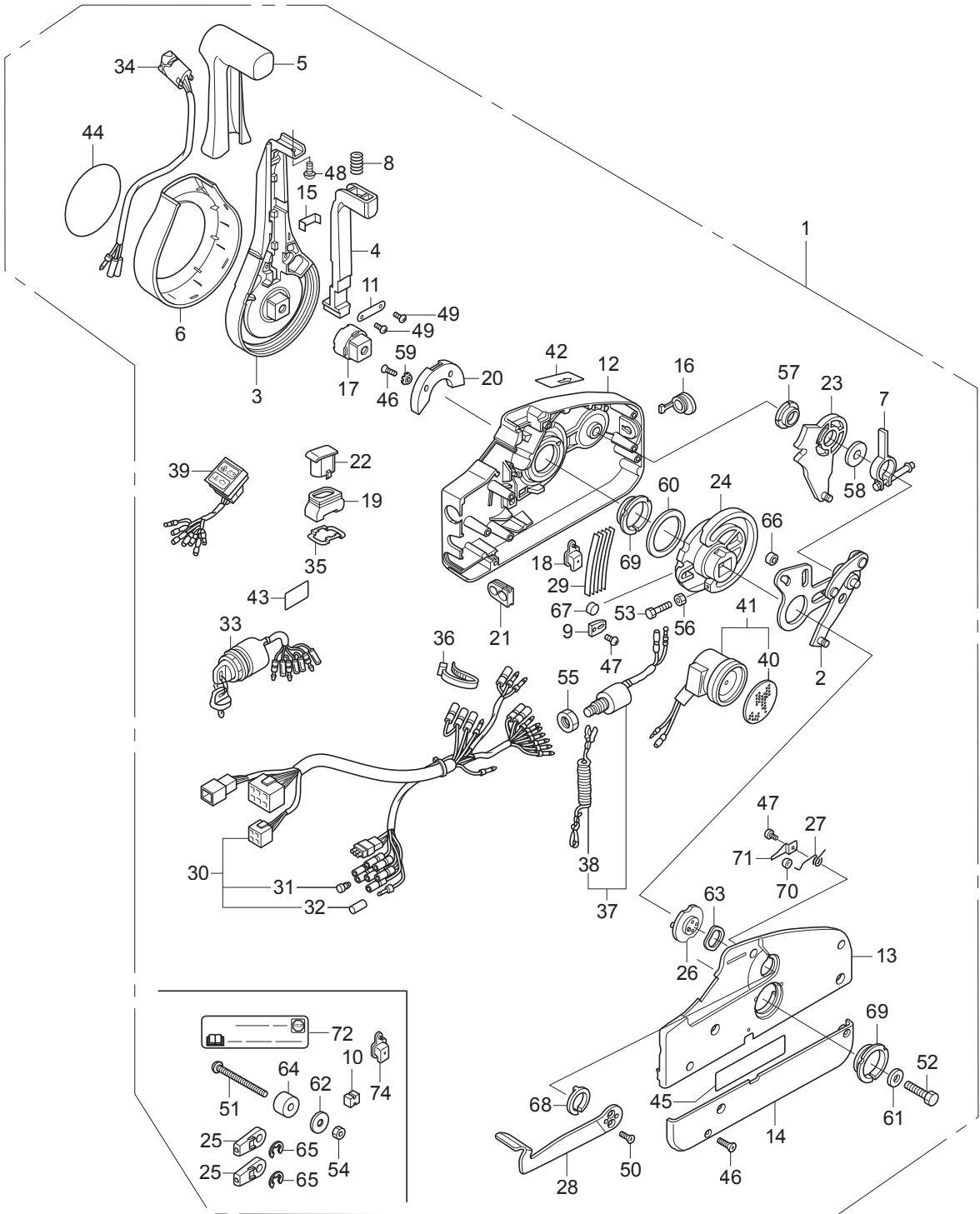
Ref.No.	Part No.	Description	Q' ty	Remarks	
			BFT250A		
FOP-1-6	1	HZZ3-24800-R00	BOX ASSY., REMOTE CONTROL(EU)	1	
FOP-1-6	2	HZV5-24811-010	HANDLE, REMOTE CONTROL	1	
FOP-1-6	3	HZV5-24812-000	LEVER, HANDLE LOCK	1	
FOP-1-6	4	HZV5-24813-000	GRIP, REMOTE CONTROL HANDLE	1	
FOP-1-6	5	HZV5-24814-010	CAP, HANDLE	1	
FOP-1-6	6	HZV5-24815-010	BLOCK, NEUTRAL LOCK	1	
FOP-1-6	7	HZV5-24816-000	SPRING, REMOTE CONTROL HANDLE	1	
FOP-1-6	8	HZV5-24817-000	PLATE, LEVER SETTING	1	
FOP-1-6	9	HZV5-24818-003	CLAMP, HARNESS	1	
FOP-1-6	10	HZV5-24820-010	HOUSING COMP., REMOTE CONTROL	1	BOX(A)
FOP-1-6	11	HZV5-24830-010	HOUSING COMP., REMOTE CONTROL	1	BOX(B)
FOP-1-6	12	HZV5-24836-000	HOUSING, REMOTE CONTROL BOX(C)	1	
FOP-1-6	13	HZV5-24841-000	WHEEL, CONTROL	1	
FOP-1-6	14	HZV5-24845-000	ARM COMP., SHIFT LINK	1	
FOP-1-6	15	HZV5-24850-000	PLATE COMP., SLIDING	1	
FOP-1-6	16	HZV5-24854-000	COLLAR, SLIDING PLATE	1	
FOP-1-6	17	HZV5-24855-000	PIVOT, SHIFT	2	
FOP-1-6	18	HZV5-24860-000	ARM COMP., LINK JOINT	1	
FOP-1-6	19	HZV5-24865-000	BRACKET, LINK JOINT	1	
FOP-1-6	20	HZV5-24875-000	WHEEL, ACCELERATOR	1	
FOP-1-6	21	HZV5-24876-000	SPRING, ACCELERATOR WHEEL	1	
FOP-1-6	22	HZV5-24878-000	LEVER, IDLE	1	
FOP-1-6	23	HZV5-24881-000	PLATE, SPRING SETTING	2	
FOP-1-6	24	HZV5-24883-000	SPRING, SHIFT CLICK	1	
FOP-1-6	25	HZV5-24884-000	SPRING, CHOKE RETURN	1	
FOP-1-6	26	HZV5-24885-000	SPACER, REMOTE CONTROL BOX	1	
FOP-1-6	27	HZV5-24887-000	SPACER, CLICK SPRING	1	
FOP-1-6	28	HZV5-24891-000	BLOCK, THROTTLE FRICTION	1	
FOP-1-6	29	HZV5-24892-000	BOLT, FRICTION	1	

REMOTE CONTROL
(HI-LEX) (HANDLE CAP = GRAY)

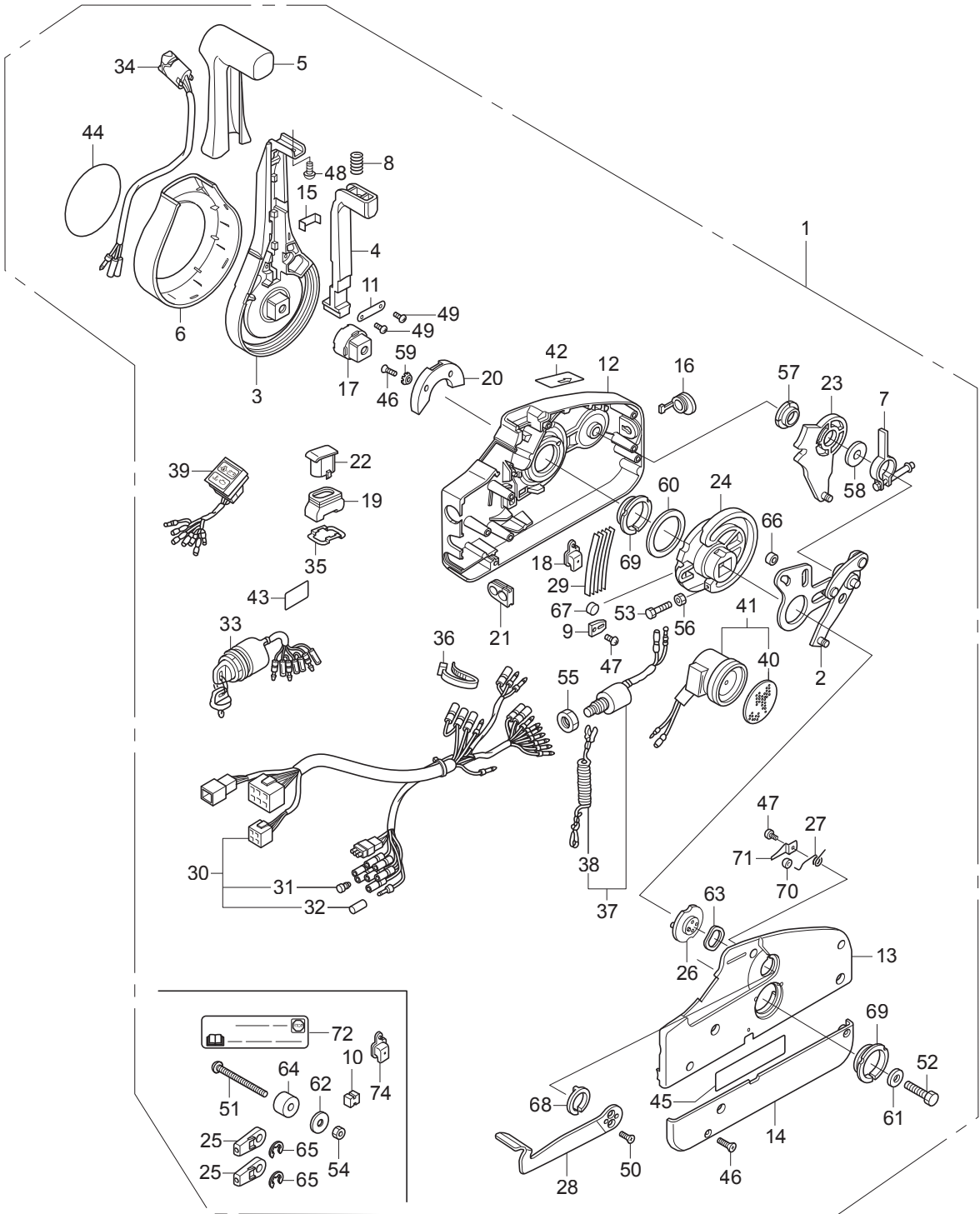


Ref.No.	Part No.	Description	Q' ty	Remarks	
			BFT250A		
FOP-1-6	30	HZV5-24894-000	SPACER, NEUTRAL SWITCH	1	
FOP-1-6	31	HZV5-24895-000	CLAMP, POWER TILT CORD	1	
FOP-1-6	32	HZV5-24897-000	PIPE, HARNESS GUIDE	1	
FOP-1-6	33	HZV5-24898-000	SPACER, CABLE CLAMP	1	
FOP-1-6	34	HZZ5-32530-000	CABLE ASSY., REMOTE CONTROL(B)	1	
FOP-1-6	35	HZV5-32823-003	PLUG, INNER CONNECTOR	7	
FOP-1-6	36	HZV5-32824-003	PLUG, OUTER CONNECTOR	1	
FOP-1-6	37	H952-32901-770	TIE, CABLE(NATURAL)(2.4X92)	1	
FOP-1-6	38	HZZ3-35100-R11	SWITCH ASSY., COMBINATION	1	
FOP-1-6	39	HZV5-35370-823	SWITCH ASSY., POWER TRIM-TILT	1	
FOP-1-6	40	HMG9-35701-950	BAND(BLACK 3.5X140)	1	
FOP-1-6	41	HZV5-36180-033	SWITCH ASSY., EMERGENCY STOP	1	
FOP-1-6	42	HZV4-36182-651	CORD COMP., EMERGENCY	1	
FOP-1-6	43	HZV4-36187-652	CLIP, EMERGENCY LOCK	1	
FOP-1-6	44	HZZ5-37210-013	LAMP ASSY., INDICATION	1	
FOP-1-6	45	H341-38403-672	PLATE, WINKER BUZZER	1	
FOP-1-6	46	HZV5-38410-003	BUZZER COMP., WARNING	1	
FOP-1-6	47	HZZ3-87701-R00	PLATE, REMOTE CONTROL	1	
FOP-1-6	49	HZW9-87702-800	MARK, FAST IDLE	1	
FOP-1-6	50	HZW9-90008-000	BOLT, FLANGE, 8X35	1	
FOP-1-6	51	HMM4-90105-000	SCREW, PAN, 6X10	1	
FOP-1-6	52	HZW4-90108-000	SCREW, FLAT, 5X12	2	
FOP-1-6	53	HZV5-90125-000	SCREW, 6X95	3	
FOP-1-6	54	H921-90302-000	NUT, HEX., 16MM	1	
FOP-1-6	55	HZV4-90304-000	NUT, HEX., 6MM	3	
FOP-1-6	56	HZW4-90401-000	WASHER, PLAIN, 4MM	2	
FOP-1-6	57	HZW4-90402-000	WASHER, PLAIN, 5MM	2	
FOP-1-6	58	HZV4-90502-000	WASHER, PLAIN, 5MM	1	
FOP-1-6	59	H921-90504-010	WASHER, PLAIN, 6MM	5	

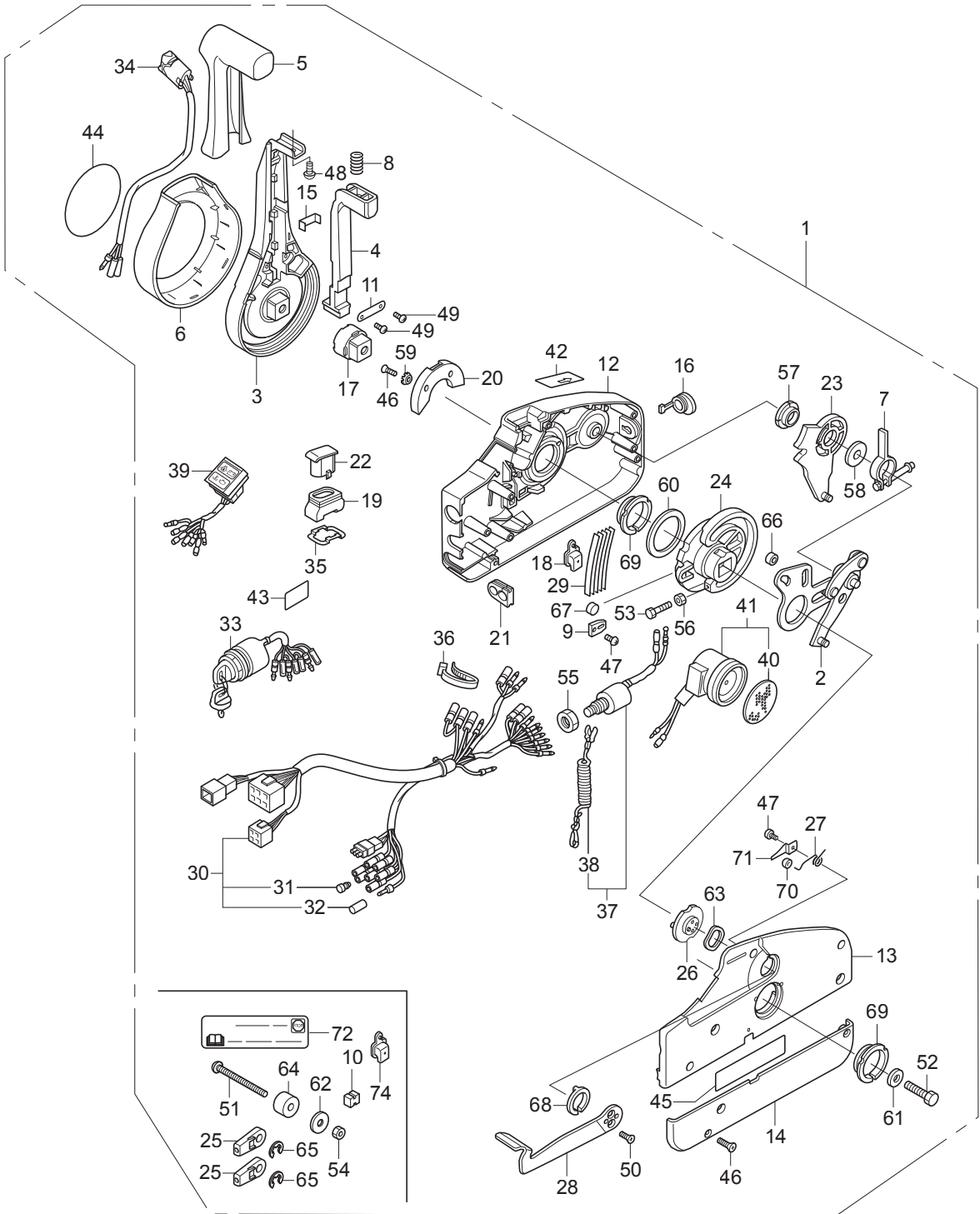




Ref.No.	Part No.	Description	Q' ty	Remarks	
			BFT250A		
FOP-1-7	1	HZZ3-24800-P12	BOX ASSY., REMOTE CONTROL (NHK MEC)	1	
FOP-1-7	2	HZZ5-24810-D01	PLATE ASSY.	1	
FOP-1-7	3	HZZ5-24811-D01	LEVER, HAND	1	
FOP-1-7	4	HZZ5-24812-D01	ARM, NEUTRAL LOCK	1	
FOP-1-7	5	HZZ5-24813-D01	GRIP	1	
FOP-1-7	6	HZZ5-24814-D01	COVER, LEVER	1	
FOP-1-7	7	HZZ5-24815-D01	ARM ASSY., BRAKE	1	
FOP-1-7	8	HZZ5-24816-D01	SPRING(2)	1	
FOP-1-7	9	HZZ5-24817-D01	CLIP, DETENT	1	
FOP-1-7	10	HZZ5-24818-D01	SPACER(1)(LOOSE PARTS)	1	
FOP-1-7	11	HZZ5-24819-D01	BRACKET	1	
FOP-1-7	12	HZZ5-24821-D01	HOUSING, FR.	1	
FOP-1-7	13	HZZ5-24822-D01	HOUSING, RR.	1	
FOP-1-7	14	HZZ5-24823-D01	PANEL, BACK	1	
FOP-1-7	15	HZZ5-24824-D01	BRACKET, WIRE CLAMP	1	
FOP-1-7	16	HZZ5-24826-D01	CAP, RUBBER	1	
FOP-1-7	17	HZZ5-24827-D01	ADJUSTER	1	
FOP-1-7	18	HZZ5-24828-D01	COVER, POWER TRIM-TILT WIRE	1	
FOP-1-7	19	HZZ5-24829-D01	SEAL, RUBBER	1	
FOP-1-7	20	HZZ5-24831-D01	HOLDER, NEUTRAL LOCK	1	
FOP-1-7	21	HZZ5-24832-D01	GROMMET, WIRE(14)	1	
FOP-1-7	22	HZZ5-24833-D01	CAP, TROLLING CONTROL SWITCH	1	
FOP-1-7	23	HZZ5-24845-D01	GEAR ASSY., SHIFT	1	
FOP-1-7	24	HZZ5-24850-D01	GEAR, DRIVE	1	
FOP-1-7	25	HZZ5-24855-D01	TERMINAL, CABLE(LOOSE PARTS)	2	
FOP-1-7	26	HZZ5-24875-D01	DRUM ASSY., FREE THROTTLE	1	
FOP-1-7	27	HZZ5-24876-D01	SPRING(1)	1	
FOP-1-7	28	HZZ5-24878-D01	LEVER, FREE THROTTLE	1	
FOP-1-7	29	HZZ5-24883-D01	SPRING, DETENT	5	

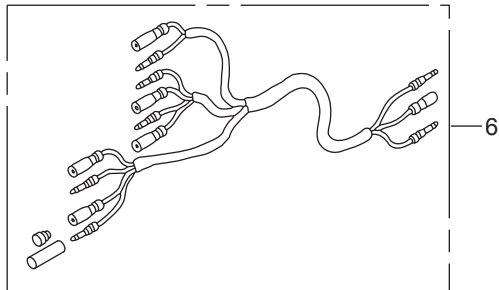
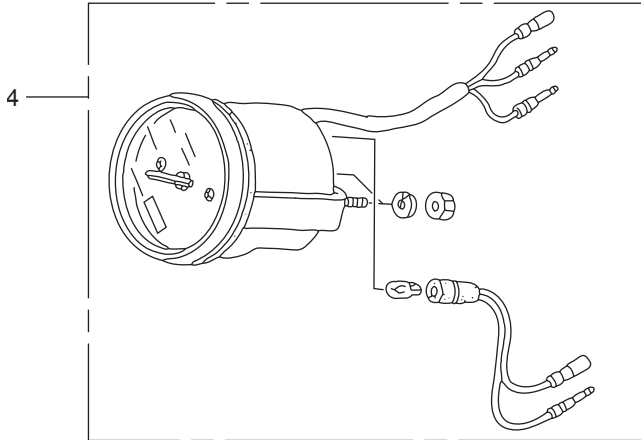
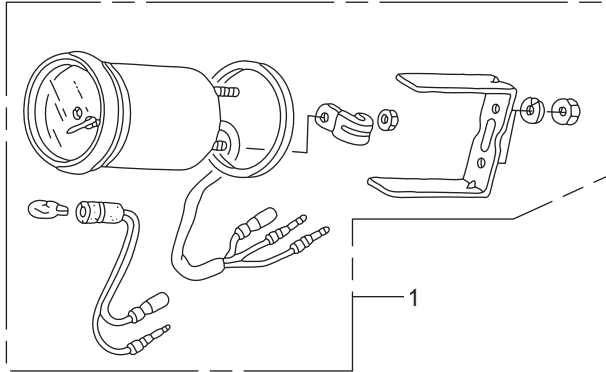


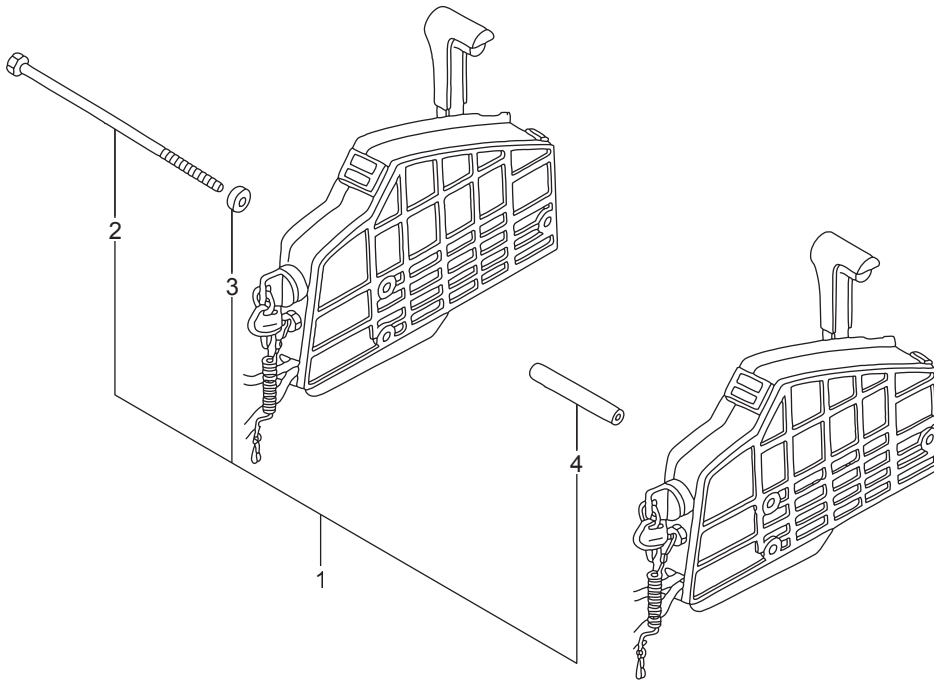
Ref.No.	Part No.	Description	Q' ty	Remarks	
			BFT250A		
FOP-1-7	30	HZZ5-32530-D01	CABLE ASSY., REMOTE CONTROL(B)	1	
FOP-1-7	31	HZV5-32823-003	PLUG, INNER CONNECTOR	7	
FOP-1-7	32	HZV5-32824-003	PLUG, OUTER CONNECTOR	1	
FOP-1-7	33	HZZ3-35100-R11	SWITCH ASSY., COMBINATION	1	
FOP-1-7	34	HZZ5-35370-D02	SWITCH ASSY., POWER TRIM-TILT	1	
FOP-1-7	35	HZZ3-35645-A41	PLATE, SWITCH	1	
FOP-1-7	36	HZZ5-35701-D01	BAND, WIRE	1	
FOP-1-7	37	HZV5-36180-033	SWITCH ASSY., EMERGENCY STOP	1	
FOP-1-7	38	HZV4-36182-651	CORD COMP., EMERGENCY	1	
FOP-1-7	39	HZZ5-37210-D01	LAMP ASSY., INDICATION	1	
FOP-1-7	40	H341-38403-672	PLATE, WINKER BUZZER	1	
FOP-1-7	41	HZV5-38410-003	BUZZER COMP., WARNING	1	
FOP-1-7	42	HZZ5-87701-D00	MARK, FAST IDLE	1	
FOP-1-7	43	HZZ5-87702-A00	MARK, EMERGENCY STOP(US)	1	
FOP-1-7	44	HZZ5-87703-P00	MARK, EMBLEM	1	
FOP-1-7	45	HZZ5-87704-D01	LABEL, SIGP	1	
FOP-1-7	46	HZZ5-90101-D01	SCREW, 5X18	7	
FOP-1-7	47	HZZ5-90102-D01	SCREW, 4X6	2	
FOP-1-7	48	HZZ5-90103-D01	SCREW, 5X10	1	
FOP-1-7	49	HZZ5-90104-D01	SCREW, 4X10	2	
FOP-1-7	50	HZZ5-90106-D01	SCREW, 5X12	2	
FOP-1-7	51	HZZ5-90107-D01	SCREW, 6X90(LOOSE PARTS)	3	
FOP-1-7	52	HZZ5-90108-D01	BOLT, 8X50	1	
FOP-1-7	53	HZZ5-90109-D01	BOLT, 5X25	1	
FOP-1-7	54	HZZ5-90301-D01	NUT, 6MM(LOOSE PARTS)	3	
FOP-1-7	55	H921-90302-000	NUT, HEX., 16MM	1	
FOP-1-7	56	HZZ5-90302-D01	NUT, 5MM	1	
FOP-1-7	57	HZZ5-90501-D01	BEARING(1)	1	
FOP-1-7	58	HZZ5-90502-D01	WASHER(3)	1	

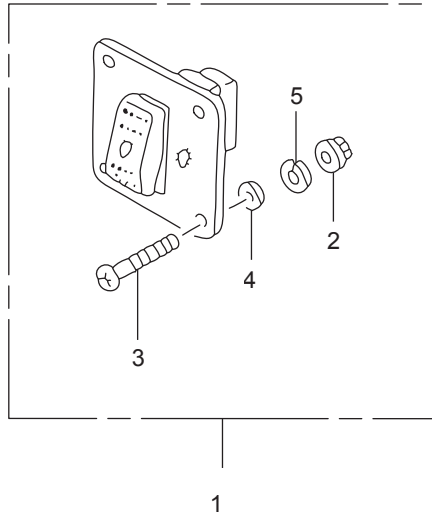


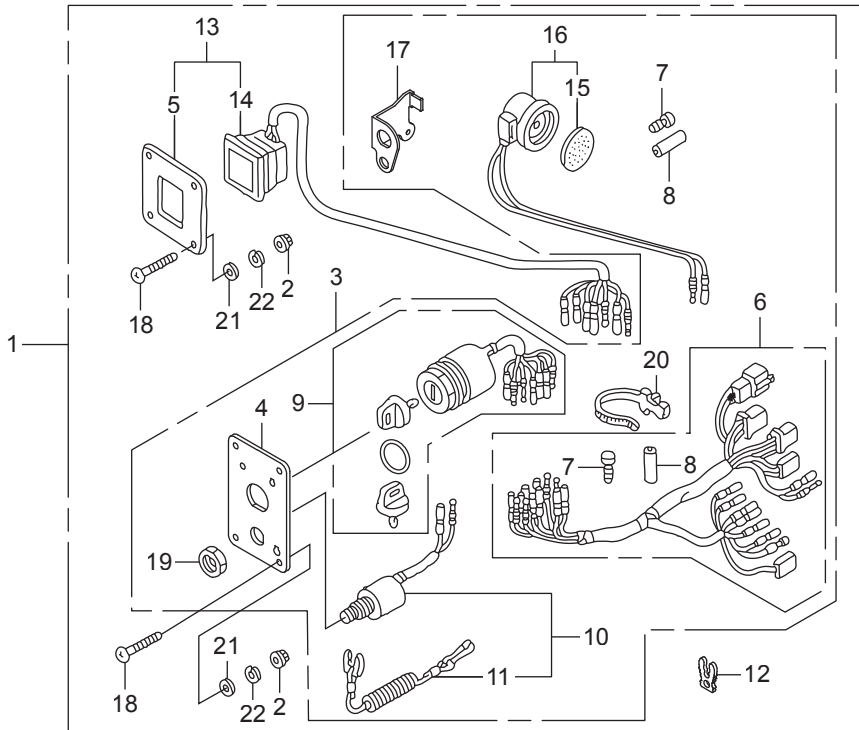
FOP-3

METER

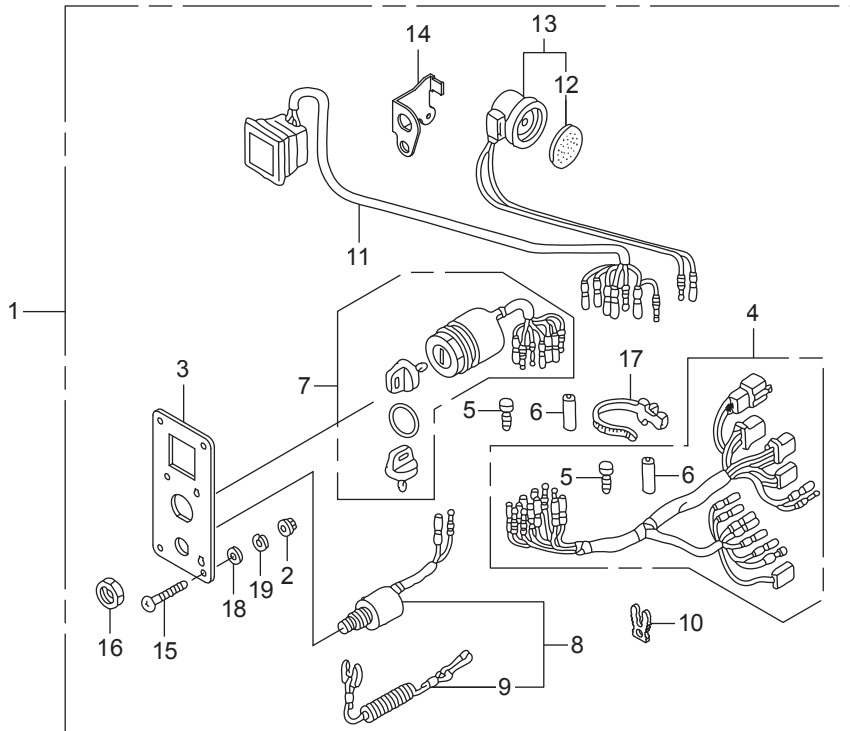


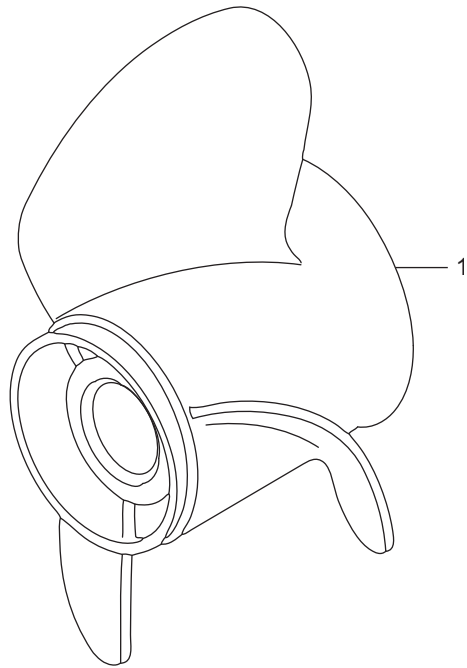




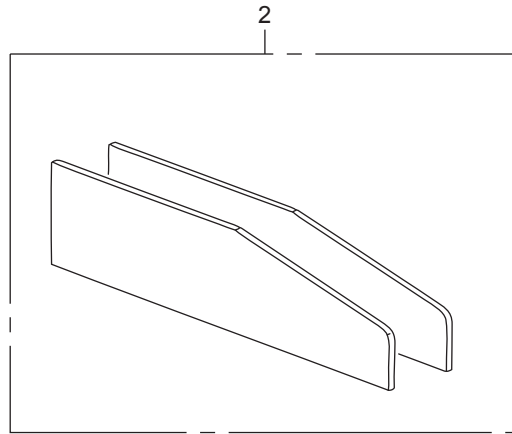
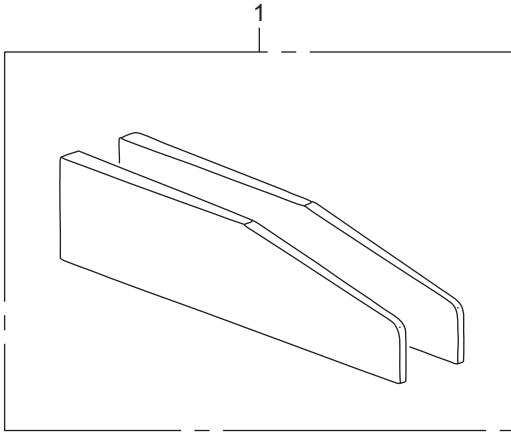


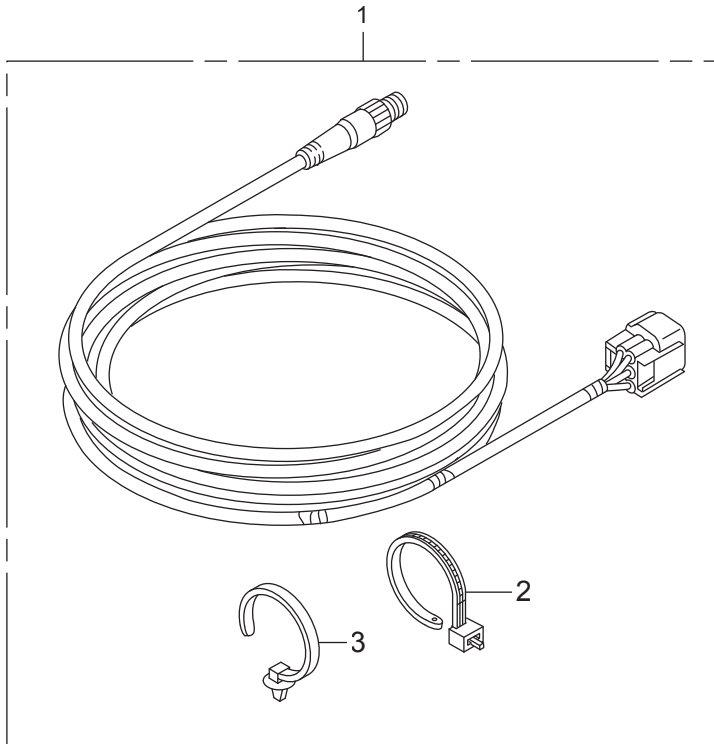
Ref.No.	Part No.	Description	Q' ty	Remarks	
			BFT250A		
FOP-7	1	HZZ3-06323-R20	PANEL KIT, SWITCH(B)(4-LED)	1	
FOP-7	2	HMT8-18334-770	NUT, FLANGE, 5MM	8	
FOP-7	3	HZZ3-32341-R31	PANEL ASSY., SWITCH	1	
FOP-7	4	HZZ3-32346-R21	PANEL, CONTROL	1	
FOP-7	5	HZZ3-32347-R01	PANEL, CONTROL	1	
FOP-7	6	HZZ5-32545-000	HARNESS ASSY., SWITCH PANEL	1	
FOP-7	7	HZV5-32823-003	PLUG, INNER CONNECTOR	8	
FOP-7	8	HZV5-32824-003	PLUG, OUTER CONNECTOR	3	
FOP-7	9	HZZ3-35100-R11	SWITCH ASSY., COMBINATION	1	
FOP-7	10	HZV5-36180-033	SWITCH ASSY., EMERGENCY STOP	1	
FOP-7	11	HZV4-36182-651	CORD COMP., EMERGENCY	1	
FOP-7	12	HZV4-36187-652	CLIP, EMERGENCY LOCK	1	
FOP-7	13	HZZ3-37205-R01	PANEL ASSY., INDICATOR(4-LED)	1	
FOP-7	14	HZZ5-37210-762	LAMP ASSY., INDICATION(4-LED)	1	
FOP-7	15	H341-38403-672	PLATE, WINKER BUZZER	1	
FOP-7	16	HZV5-38410-003	BUZZER COMP., WARNING	1	
FOP-7	17	HZZ5-38414-003	BRACKET, BUZZER	1	
FOP-7	18	HZW5-90109-000	SCREW, PAN, 5X40	8	
FOP-7	19	H921-90302-000	NUT, HEX., 16MM	1	
FOP-7	20	HSC2-90649-003	BAND, WIRE HARNESS(NATURAL)	1	(150MM)
FOP-7	21	HCO-94103-05400	WASHER, PLAIN, 5MM	8	
FOP-7	22	HCO-94111-05400	WASHER, SPRING, 5MM	8	



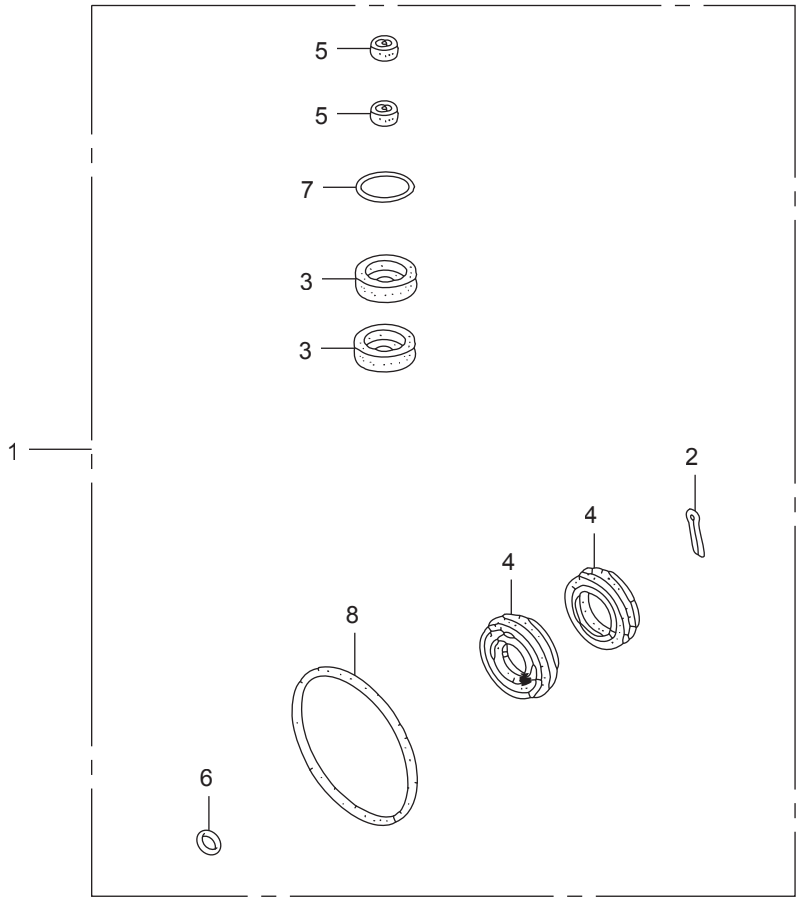


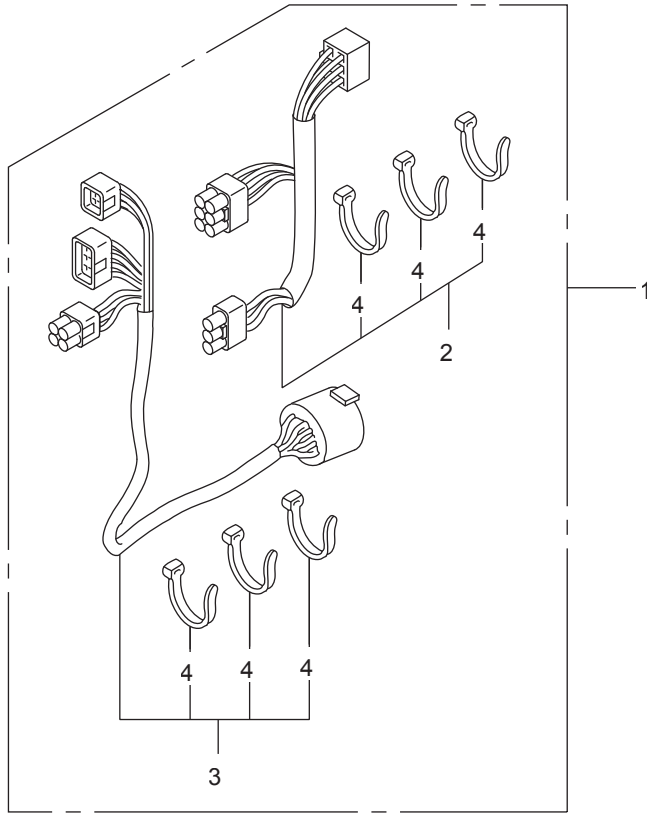
Ref.No.	Part No.	Description	Q' ty		Remarks
				BFT250A	
FOP-8	1	HZX2-58130-T01	PROPELLER COMP., THREE BLADES	1	(15-3/4X15) LA,XA,XXA
FOP-8	1	HZX2-58130-T11	PROPELLER COMP., THREE BLADES	1	(15-1/2X17) LA,XA,XXA
FOP-8	1	HZX2-58130-T21	PROPELLER COMP., THREE BLADES	1	(15-1/4X19) LA,XA,XXA
FOP-8	1	HZX2-58130-T31	PROPELLER COMP., THREE BLADES	1	(15X21) LA,XA,XXA
FOP-8	1	HZX2-58130-T41	PROPELLER COMP., THREE BLADES	1	(14-3/4X23) LA,XA,XXA
FOP-8	1	HZX2-58130-T51	PROPELLER COMP., THREE BLADES	1	(14-1/2X25) LA,XA,XXA
FOP-8	1	HZX2-58130-T61	PROPELLER COMP., THREE BLADES	1	(14-1/2X27) LA,XA,XXA
FOP-8	1	HZX2-58180-T01	PROPELLER COMP., THREE BLADES	1	(15-3/4X15)(C/R) XCA,XXCA
FOP-8	1	HZX2-58180-T11	PROPELLER COMP., THREE BLADES	1	(15-1/2X17)(C/R) XCA,XXCA
FOP-8	1	HZX2-58180-T21	PROPELLER COMP., THREE BLADES	1	(15-1/4X19)(C/R) XCA,XXCA
FOP-8	1	HZX2-58180-T31	PROPELLER COMP., THREE BLADES	1	(15X21)(C/R) XCA,XXCA
FOP-8	1	HZX2-58180-T41	PROPELLER COMP., THREE BLADES	1	(14-3/4X23)(C/R) XCA,XXCA
FOP-8	1	HZX2-58180-T51	PROPELLER COMP., THREE BLADES	1	(14-1/2X25)(C/R) XCA,XXCA
FOP-8	1	HZX2-58180-T61	PROPELLER COMP., THREE BLADES	1	(14-1/2X27)(C/R) XCA,XXCA





Ref.No.	Part No.	Description	Q' ty	Remarks	
			BFT250A		
FOP-10	1	HZZ3-06328-763	KIT, CABLE(NMEA)(6FT)	1	
FOP-10	2	HZY1-90650-003	TIE, CABLE	2	
FOP-10	3	HSTK-91540-003	CLIP, HARNESS BAND(BLACK)	2	(155.3MM)





INDEX

<A>			
ADJUSTER.....	FOP-1-7-17	BODY, OIL JET	E-3-13
ARM ASSY, BRAKE	FOP-1-7-7	BOLT A, THROUGH.....	E-21-14
ARM ASSY, INTAKE ROCKER.....	E-9-10-4	BOLT COMP, OIL JET.....	E-3-14
ARM COMP. A, EX. ROCKER.....	E-9-10-5	BOLT KIT, SIDE REMOTE CONTROL.....	FOP-5-1
ARM COMP. B, EX. ROCKER.....	E-9-10-6	BOLT, 1/4-28UNF.....	F-10-36
ARM COMP., LINK JOINT.....	FOP-1-6-18	BOLT, 12MM.....	E-5-13
ARM COMP., SHIFT LINK.....	FOP-1-6-14	BOLT, 3/8-24UNF.....	F-10-43
ARM, FUEL PUMP ROCKER.....	E-9-10-3	BOLT, 5X25.....	FOP-1-7-53
ARM, NEUTRAL LOCK.....	FOP-1-4-5	BOLT, 8X50.....	FOP-1-7-52
ARM, NEUTRAL LOCK.....	FOP-1-7-4	BOLT, CONNECTING ROD.....	E-7-6
ARM, SHIFT.....	F-2-9	BOLT, COVER LOCK.....	F-8-12
ARM, THROTTLE.....	F-2-3	BOLT, DRAIN PLUG.....	E-6-11
ARMATURE COMP.....	F-11-7	BOLT, DRAIN PLUG.....	F-3-14
		BOLT, FLANGE, 10X110.....	E-21-20
BAG, TOOL, 200MM.....	F-13-13	BOLT, FLANGE, 10X120(SATO).....	E-6-20-2
BALL, STEEL.....	E-21-6	BOLT, FLANGE, 10X40.....	E-13-26
BALL, STEEL, #12(3/8).....	F-5-33	BOLT, FLANGE, 10X43.....	E-13-27
BALL, STEEL, #12(3/8).....	F-5-1-36	BOLT, FLANGE, 10X55.....	E-3-10-10
BALL, STEEL, #7(7/32).....	F-5-32	BOLT, FLANGE, 10X70.....	E-6-20-11
BALL, STEEL, #7(7/32).....	F-5-1-35	BOLT, FLANGE, 10X90.....	E-19-21
BAND.....	E-18-42	BOLT, FLANGE, 10X90.....	E-21-19
BAND(BLACK 3.5X140).....	F-11-3	BOLT, FLANGE, 12X120.....	E-6-20-12
BAND(BLACK 3.5X140).....	FOP-1-6-40	BOLT, FLANGE, 12X95.....	E-3-28
BAND, AIR FLOW.....	E-15-8	BOLT, FLANGE, 5X10.....	E-14-10-17
BAND, TUBE CLIP, 12.5MM.....	F-8-20-4	BOLT, FLANGE, 5X14.....	E-13-10-9
BAND, UNDER CASE GROMMET.....	F-8-10-4	BOLT, FLANGE, 6X10.....	E-14-22
BAND, WIRE.....	F-10-6	BOLT, FLANGE, 6X10.....	E-18-1-25
BAND, WIRE.....	F-10-76	BOLT, FLANGE, 6X10.....	E-20-10-8
BAND, WIRE.....	FOP-1-7-36	BOLT, FLANGE, 6X10.....	F-7-10-15
BAND, WIRE HARNESS.....	F-7-10-20	BOLT, FLANGE, 6X11.....	F-2-24
BAND, WIRE HARNESS.....	F-7-10-20	BOLT, FLANGE, 6X12.....	E-18-51
BAND, WIRE HARNESS(NATURAL).....	FOP-7-20	BOLT, FLANGE, 6X12.....	E-18-1-26
BAND, WIRE HARNESS(NATURAL).....	FOP-7-1-17	BOLT, FLANGE, 6X12.....	F-2-26
BAND, WIRE, 165MM(BLACK).....	F-7-10-20	BOLT, FLANGE, 6X12.....	F-7-10-14
BASE.....	FOP-1-4-15	BOLT, FLANGE, 6X12.....	F-8-10-29
BASE COMP., TIMING BELT.....	E-13-10	BOLT, FLANGE, 6X12.....	F-10-37
BASE, L. INJECTOR.....	E-14-13	BOLT, FLANGE, 6X14.....	E-3-35
BASE, R. INJECTOR.....	E-14-11	BOLT, FLANGE, 6X14.....	E-5-21
BEARING A, CONNECTING ROD.....	E-7-8	BOLT, FLANGE, 6X14.....	E-14-21
BEARING A, MAIN LOWER(BLACK).....	E-7-12	BOLT, FLANGE, 6X14.....	E-18-50
BEARING A, MAIN UPPER(BLACK).....	E-7-10	BOLT, FLANGE, 6X14.....	F-8-10-27
BEARING B, CONNECTING ROD.....	E-7-8	BOLT, FLANGE, 6X14(CT200).....	E-1-16
BEARING B, MAIN LOWER(BROWN).....	E-7-12	BOLT, FLANGE, 6X14(CT200).....	E-13-20
BEARING B, MAIN UPPER(BROWN).....	E-7-10	BOLT, FLANGE, 6X14(CT200).....	F-2-22
BEARING C, CONNECTING ROD.....	E-7-8	BOLT, FLANGE, 6X16.....	E-3-33
BEARING C, MAIN LOWER(GREEN).....	E-7-12	BOLT, FLANGE, 6X16.....	E-13-23
BEARING C, MAIN UPPER(GREEN).....	E-7-10	BOLT, FLANGE, 6X16.....	E-18-49
BEARING D, CONNECTING ROD.....	E-7-8	BOLT, FLANGE, 6X16.....	E-19-23
BEARING D, MAIN LOWER(YELLOW).....	E-7-12	BOLT, FLANGE, 6X16.....	F-2-23
BEARING D, MAIN UPPER(YELLOW).....	E-7-10	BOLT, FLANGE, 6X16.....	F-4-18
BEARING E, CONNECTING ROD.....	E-7-8	BOLT, FLANGE, 6X18.....	E-3-36
BEARING E, MAIN LOWER(PINK).....	E-7-12	BOLT, FLANGE, 6X18.....	E-5-22
BEARING E, MAIN UPPER(PINK).....	E-7-10	BOLT, FLANGE, 6X20.....	E-20-10-9
BEARING F, MAIN LOWER(RED).....	E-7-12	BOLT, FLANGE, 6X20.....	F-7-20-7
BEARING F, MAIN UPPER(RED).....	E-7-10	BOLT, FLANGE, 6X20.....	F-8-11
BEARING(1).....	FOP-1-7-57	BOLT, FLANGE, 6X20.....	F-8-10-30
BEARING(2).....	FOP-1-7-68	BOLT, FLANGE, 6X20.....	F-10-34
BEARING(3).....	FOP-1-7-69	BOLT, FLANGE, 6X20.....	F-10-40
BEARING, FR. GENERATOR.....	E-19-3	BOLT, FLANGE, 6X22.....	E-3-37
BEARING, NEEDLE, 20X28X13.....	E-6-10-34	BOLT, FLANGE, 6X22.....	E-3-10-8
BEARING, NEEDLE, 28X39X30.....	F-5-26	BOLT, FLANGE, 6X22.....	E-6-10-24
BEARING, NEEDLE, 28X39X30.....	F-5-1-29	BOLT, FLANGE, 6X22.....	E-13-24
BEARING, NEEDLE, 30.5X47X37.....	F-4-25	BOLT, FLANGE, 6X22.....	E-14-10-14
BEARING, NEEDLE, 32X42X30.....	F-5-27	BOLT, FLANGE, 6X22.....	E-15-21
BEARING, NEEDLE, 32X42X30.....	F-5-1-30	BOLT, FLANGE, 6X23.....	F-10-35
BEARING, NEEDLE, 50X72X4.5.....	F-5-1-25	BOLT, FLANGE, 6X25.....	E-14-19
BEARING, RADIAL BALL.....	F-5-25	BOLT, FLANGE, 6X25.....	E-18-48
BEARING, RADIAL BALL.....	F-5-1-28	BOLT, FLANGE, 6X32.....	E-3-10-9
BEARING, RR. GENERATOR.....	E-19-2	BOLT, FLANGE, 6X32.....	E-6-10-25
BEARING, TAPER ROLLER.....	F-4-26	BOLT, FLANGE, 6X32.....	E-14-10-16
BEARING, TAPER ROLLER.....	F-5-24	BOLT, FLANGE, 6X35.....	E-1-17
BEARING, THRUST NEEDLE.....	F-5-1-27	BOLT, FLANGE, 6X35.....	E-3-34
BEARING, THRUST(F).....	F-5-23	BOLT, FLANGE, 6X35.....	E-4-16
BEARING, THRUST(F).....	F-5-1-24	BOLT, FLANGE, 6X35.....	E-14-20
BELT, A.C. GENERATOR.....	E-13-17	BOLT, FLANGE, 6X37.....	E-3-10-11
BELT, TIMING(197YU26 B-333).....	E-13-6	BOLT, FLANGE, 6X40.....	E-6-10-31
BLOCK ASSY., CYLINDER.....	E-3-3	BOLT, FLANGE, 6X55.....	E-3-10-14
BLOCK, NEUTRAL LOCK.....	FOP-1-6-6	BOLT, FLANGE, 6X60.....	E-4-18
BLOCK, THROTTLE FRICTION.....	FOP-1-6-28	BOLT, FLANGE, 6X60.....	E-15-22
BODY.....	E-18-3	BOLT, FLANGE, 8X100.....	E-6-10-27
		BOLT, FLANGE, 8X18.....	F-7-10-16
		BOLT, FLANGE, 8X20.....	E-9-12
		BOLT, FLANGE, 8X22.....	F-8-10-31
		BOLT, FLANGE, 8X25.....	E-3-10-15
		BOLT, FLANGE, 8X28.....	E-9-13
		BOLT, FLANGE, 8X30.....	E-5-23
		BOLT, FLANGE, 8X30.....	E-6-10-29
		BOLT, FLANGE, 8X30.....	E-9-10-18
		BOLT, FLANGE, 8X32.....	E-1-18
		BOLT, FLANGE, 8X35.....	E-18-52
		BOLT, FLANGE, 8X35.....	FOP-1-6-50
		BOLT, FLANGE, 8X40.....	E-4-19
		BOLT, FLANGE, 8X40.....	E-9-10-19
		BOLT, FLANGE, 8X45.....	E-1-19
		BOLT, FLANGE, 8X50.....	E-3-40
		BOLT, FLANGE, 8X50.....	E-14-10-18
		BOLT, FLANGE, 8X60.....	E-4-17
		BOLT, FLANGE, 8X65.....	E-15-23
		BOLT, FLANGE, 8X75.....	E-3-38
		BOLT, FLANRNG, 6X12.....	F-7-3
		BOLT, FRICTION.....	FOP-1-6-29
		BOLT, HEX.....	F-11-34
		BOLT, HEX., 10X235.....	F-10-41
		BOLT, HEX., 10X35.....	F-3-20-32
		BOLT, HEX., 10X60.....	E-6-20-6
		BOLT, HEX., 10X85.....	E-6-20-5
		BOLT, HEX., 12X120.....	E-6-20-3
		BOLT, HEX., 12X130.....	F-10-46
		BOLT, HEX., 12X200.....	F-10-39
		BOLT, HEX., 12X45.....	F-5-13
		BOLT, HEX., 12X45.....	F-5-1-13
		BOLT, HEX., 12X50.....	F-3-20-37
		BOLT, HEX., 12X65.....	E-6-20-4
		BOLT, HEX., 14X180.....	F-3-20-33
		BOLT, HEX., 5X16.....	FOP-1-6-69
		BOLT, HEX., 6X14.....	F-10-42
		BOLT, HEX., 6X16.....	E-6-10
		BOLT, HEX., 6X16.....	F-2-27
		BOLT, HEX., 6X55.....	F-3-26
		BOLT, HEX., 8X28.....	E-6-9
		BOLT, HEX., 8X35.....	E-6-8
		BOLT, HEX., 8X35.....	F-8-10-26
		BOLT, IDLER.....	E-13-13
		BOLT, OIL CHECK.....	F-3-10
		BOLT, RECESSED.....	F-11-31
		BOLT, SEALING, 18MM.....	E-5-10
		BOLT, SEALING, 22MM.....	E-3-6
		BOLT, SEALING, 22MM.....	E-3-39
		BOLT, SEALING, 22MM.....	F-3-10-12
		BOLT, SEALING, 22MM.....	E-5-25
		BOLT, SEALING, 6MM.....	E-18-46
		BOLT, SOCKET(A).....	F-11-32
		BOLT, SOCKET(B).....	F-11-33
		BOLT, SOCKET, 6X16.....	F-8-13
		BOLT, SPECIAL ADJUSTER.....	E-19-22
		BOLT, SPECIAL, 6X12.....	F-3-20-38
		BOLT, SPECIAL, 6X17.....	F-3-20-35
		BOLT, SPECIAL, 6X22.....	F-3-20-36
		BOLT, SPECIAL, 6X220.....	FOP-5-2
		BOLT, SPECIAL, 6X37.....	F-3-20-39
		BOLT, SPECIAL, 8MM.....	E-5-14
		BOLT, SPECIAL, 8X29.....	E-13-10-8
		BOLT, STUD, 10X170.....	F-3-17
		BOLT, STUD, 10X45.....	E-6-10-26
		BOLT, STUD, 12X170.....	F-3-16
		BOLT, STUD, 12X40.....	F-3-15
		BOLT, STUD, 6X68.....	E-19-8
		BOLT, STUD, 8X28.....	E-14-23
		BOLT, STUD, 8X45.....	E-14-24
		BOLT, TENSIONER.....	E-19-24
		BOLT, TIMING BELT ADJUSTING.....	E-13-21
		BOLT, TIMING BELT COVER.....	E-13-10-7
		BOLT, TIMING BELT IDLER A.....	E-13-14
		BOLT, WASHER, 6X121.....	E-6-10-28
		BOLT, WASHER, 8X60.....	F-4-17
		BOLT-WASHER, 10X109.....	E-3-29
		BOLT-WASHER, 10X32.....	F-3-12
		BOLT-WASHER, 10X32.....	F-10-38
		BOLT-WASHER, 10X47.....	F-3-13
		BOLT-WASHER, 10X60.....	E-3-30
		BOLT-WASHER, 10X80.....	E-3-31
		BOLT-WASHER, 11X105.....	E-3-32

BOLT-WASHER, 12X163	E-9-11	CABLE ASSY., SWITCH PANEL	FOP-13-3	CLIP, HARNESS BAND(BLACK)	FOP-10-3
BOLT-WASHER, 12X35	E-13-25	CABLE ASSY., SWITCH PANEL	FOP-13-3	CLIP, INJECTOR	E-14-2
BOLT-WASHER, 16X49	E-13-22	CABLE ASSY., SWITCH PANEL(20FT)(NHK MEC)	FOP-13-3	CLIP, PISTON PIN	E-7-4
BOLT-WASHER, 5X18	E-14-10-15	CABLE ASSY., SWITCH PANEL(25FT)(NHK MEC)	FOP-13-3	CLIP, ROLLER	FOP-1-7-71
BOLT-WASHER, 5X30	E-15-20	CABLE ASSY., SWITCH PANEL(30FT)(NHK MEC)	FOP-13-3	CLIP, SENSOR HOSE	E-1-14
BOLT-WASHER, 6X16	F-2-25	CABLE COMP. A, COVER LOCK	F-8-10-12	CLIP, SHIFT WIRE	E-1-15
BOLT-WASHER, 6X25	E-15-19	CABLE COMP. B, COVER LOCK	F-8-10-13	CLIP, TUBE	E-6-10-1
BOLT-WASHER, 6X25	F-3-20-31	CABLE COMP., THROTTLE	E-15-10	CLIP, TUBE	E-18-1-1
BOLT-WASHER, 6X25	F-7-10-13	CABLE SET, PANEL INDICATOR	FOP-13-1	CLIP, TUBE(B10)	E-18-10-11
BOLT-WASHER, 6X27	E-20-4	CABLE SET, PANEL INDICATOR	FOP-13-1	CLIP, TUBE(B12)	E-6-10-32
BOLT-WASHER, 6X27(CT200)	E-20-10-7	CAMSHAFT, L	E-9-10-2	CLIP, TUBE(B12)	E-1-22
BOLT-WASHER, 6X27(CT200)	F-7-10-12	CAMSHAFT, R	E-9-10-1	CLIP, TUBE(B12.5)	E-18-1-28
BOLT-WASHER, 8X35	E-18-47	CAP COMP., OIL TANK	F-11-30	CLIP, TUBE(B12.5)	E-18-10-20
BOSS, FLYWHEEL	E-5-12	CAP, BOLT, 10MM	E-3-10-13	CLIP, TUBE(B12.5)	E-6-10-33
BOX ASSY., JUNCTION	F-7-20-1	CAP, GRIP	FOP-1-7	CLIP, TUBE(B12.5)	E-18-1-29
BOX ASSY., REMOTE CONTROL (NHK MEC)	FOP-1-7-1	CAP, GRIP	FOP-1-2-9	CLIP, TUBE(B12.5)	F-3-20-47
BOX ASSY., REMOTE CONTROL(EU)	FOP-1-6-1	CAP, HANDLE	FOP-1-6-5	CLIP, TUBE(B8)	E-18-1-27
BOX KIT, REMOTE CONTROL	FOP-1-1	CAP, L. SIDE COVER	F-8-10-24	CLIP, TUBE(B8)	F-10-65
BOX KIT, REMOTE CONTROL	FOP-1-2-1	CAP, OIL(YELLOW)	E-3-10-5	CLIP, WIRE	E-18-10-21
BOX KIT, REMOTE CONTROL	FOP-1-4-1	CAP, RUBBER	FOP-1-7-16	CLIP, WIRE HARNESS	E-18-1-32
BRACKET	FOP-1-7-11	CAP, SWITCH	FOP-1-8	CLIP, WIRE HARNESS	F-7-4
BRACKET A, RR. COVER	F-8-10-8	CAP, TIMING BELT TENSIONER	E-13-8	CLIP, WIRE HARNESS	F-7-10-21
BRACKET B, RR. COVER	F-11-6	CAP, TROLLING CONTROL SWITCH	FOP-1-7-22	CLIP, WIRE HARNESS	F-7-10-22
BRACKET B, HARNESS CLIP	E-3-22	CAP, UNDER COVER	F-3-20-24	CLIP, WIRE HARNESS	F-10-67
BRACKET B, RR. COVER	F-8-10-9	CAP, WATER JOINT	F-3-20-4	CLIP, WIRE HARNESS(6.3MM)	FOP-1-6-66
BRACKET C, COUPLER	F-7-10-2	CARTRIDGE, OIL FILTER	E-3-10-4	CLIP, WIRE HARNESS, 10MM	E-14-26
BRACKET C, HARNESS CLIP	E-1-12	CASE ASSY., GEAR(L)	F-3-10-1	CLIP, WIRE HARNESS, 25MM	E-18-1-31
BRACKET, A.C. GENERATOR FUSE	E-20-10-3	CASE ASSY., GEAR(XL)	F-3-10-1	CLIP, WIRE HARNESS, 25MM	E-20-10-10
BRACKET, BUZZER	FOP-7-17	CASE ASSY., GEAR(XL)	F-3-10-1	CLIP, WIRE HARNESS, 25MM	F-3-20-49
BRACKET, BUZZER	FOP-7-1-14	CASE ASSY., GEAR(XXL)	F-3-10-1	CLUTCH COMP., OVERRUNNING	E-21-3
BRACKET, CABLE	F-8-10-1	CASE ASSY., GEAR(XXL)	F-3-10-1	CLUTCH COMP., OVERRUNNING	E-21-3
BRACKET, CLIP B	E-1-11	CASE ASSY., OIL SEAL	E-3-2	COCK ASSY., FUEL DRAIN	E-18-1-24
BRACKET, CLIP B	E-3-21	CASE COMP., GEAR	F-3-27	COIL COMP., PLUG HOLE	E-20-2
BRACKET, COUPLER D	E-13-18	CASE COMP., MOUNT	E-6-10-22	COLLAR	E-18-26
BRACKET, ECU	E-20-10-5	CASE COMP., PUMP	E-18-27	COLLAR, 6.2X10X25.5	F-3-20-52
BRACKET, FR	E-21-10	CASE KIT, GEAR	FOP-12-1	COLLAR, 8.5X14.5	E-18-56
BRACKET, FR. COVER	F-8-10-5	CASE, ELECTRONIC PARTS	E-20-10-1	COLLAR, 8.5X14.5	F-8-10-38
BRACKET, HARNESS CLIP A	E-14-17	CASE, EXTENSION	F-3-20-10	COLLAR, C.D.I. UNIT CASE	E-15-26
BRACKET, HOOK	F-8-4	CASE, EXTENSION	F-3-20-10	COLLAR, C.D.I. UNIT CASE	E-20-5
BRACKET, L. SIDE COVER	F-8-10-7	CASE, FLUSH VALVE	E-6-10-7	COLLAR, C.D.I. UNIT CASE	E-20-10-11
BRACKET, L. STERN	F-10-25	CASE, GEAR	F-3-3	COLLAR, C.D.I. UNIT CASE	F-7-10-25
BRACKET, LINK JOINT	FOP-1-6-19	CASE, POWER TILT RELAY	F-7-10-11	COLLAR, DISTANCE	F-4-33
BRACKET, NEUTRAL SWITCH	F-2-19	CASE, SWIVEL	F-10-20	COLLAR, DISTANCE(A)	FOP-5-3
BRACKET, R. SIDE COVER	F-8-10-6	CASE, SWIVEL	F-10-20	COLLAR, DISTANCE(B)	FOP-5-4
BRACKET, R. STERN	F-10-24	CIRCLIP, EXTERNAL, 15MM	F-5-31	COLLAR, DISTANCE, 6.5X9X3	F-8-16
BRACKET, REMOTE CONTROL	FOP-1-12	CIRCLIP, EXTERNAL, 15MM	F-5-1-34	COLLAR, DISTANCE, 6.5X9X5	F-3-20-52
BRACKET, REMOTE CONTROL	FOP-1-2-13	CIRCLIP, EXTERNAL, 39MM	F-10-66	COLLAR, DISTANCE, 6X10X43.5	F-3-20-53
BRACKET, RR	E-21-11	CIRCLIP, INTERNAL	F-11-38	COLLAR, DISTANCE, 6X10X43.5	FOP-1-6-68
BRACKET, SENSOR CORD	E-14-10-8	CIRCLIP, INTERNAL, 43	F-3-20-48	COLLAR, LINK JOINT	FOP-1-6-67
BRACKET, SHIFT LINK	F-2-16	CIRCLIP, INTERNAL, 47MM	F-4-37	COLLAR, LOWER CYLINDER	F-10-33
BRACKET, SOLENOID VALVE	E-1-6	CLAMP	F-6-5	COLLAR, LOWER CYLINDER	F-10-33
BRACKET, TILTING	F-10-28	CLAMP	F-6-8	COLLAR, MOUNTING(6MM)	F-7-10-23
BRACKET, WIRE CLAMP	FOP-1-7-15	CLAMP, CHECK VALVE	E-18-10-2	COLLAR, ORIFICE	F-11-50
BREAKER ASSY.	F-11-1	CLAMP, FUEL TUBE	E-18-10-22	COLLAR, SET	E-18-23
BRUSH ASSY.	F-11-2	CLAMP, HARNESS	FOP-1-6-9	COLLAR, SHIFT SLIDER	F-2-11
BRUSH SET	E-21-7	CLAMP, HOSE	E-18-10-10	COLLAR, SLIDING PLATE	FOP-1-6-16
BRUSH SET	E-21-7	CLAMP, POWER TILT CORD	FOP-1-6-31	COLLAR, STEERING ROD	F-10-71
BUFFER, PLATE	E-18-1-6	CLAMP, TUBE	F-10-21	COLLAR, TIMING BELT COVER	E-13-10-10
BUSH A, COVER LOCK	F-8-10-15	CLAMP, TUBE(D10.5)	E-4-20	CONTROL UNIT, ELECTRONIC	E-20-10-4
BUSH A, THRUST RECEIVE	F-10-31	CLAMP, TUBE(D10.5)	E-18-10-25	CONTROL UNIT, ELECTRONIC	E-20-10-4
BUSH B, COVER LOCK	F-8-10-16	CLAMP, TUBE(D10.7)	E-18-10-19	CORD ASSY., INDICATOR(20FT)	FOP-13-2
BUSH B, THRUST RECEIVE	F-10-32	CLAMP, TUBE(D21)	E-4-22	CORD ASSY., INDICATOR(25FT)	FOP-13-2
BUSH COMP., VERTICAL SHAFT	F-3-20-12	CLAMP, TUBE(D29)	E-4-21	CORD ASSY., INDICATOR(30FT)	FOP-13-2
BUSH, INSULATION	E-19-4	CLAMP, TUBE(D32.5)	E-1-21	CORD COMP., EMERGENCY	FOP-1-6-42
BUSH, INSULATION	E-19-18	CLAMP, WIRE, 8MM	E-18-1-30	CORD COMP., EMERGENCY	FOP-1-7-38
BUSH, LOWER CYLINDER	F-11-27	CLAMPER, SENSOR TUBE	F-10-12	CORD COMP., EMERGENCY	FOP-7-11
BUSH, MOTOR CODE	F-11-21	CLIP A, WIRE	E-1-13	CORD COMP., EMERGENCY	FOP-7-1-9
BUSH, SHIFT ARM	F-2-15	CLIP D, SPEEDOMETER CABLE	E-14-18	CORD, A.C. GENERATOR	F-7-10-8
BUSH, SWIVEL CASE	F-10-23	CLIP D, WASHER TUBE	E-1-28	CORD, SWITCH	E-3-23
BUSH, SWIVEL CASE	F-11-12	CLIP, 10.7MM	F-11-37	COTTER, VALVE(FUJI VALVE)	E-9-10-17
BUSH, TILT ARM	F-10-27	CLIP, BRAKE PIPE	F-2-21	COVER ASSY.	FOP-1-4-11
BUTTON, THROTTLE	FOP-1-9	CLIP, DETENT	FOP-1-7-9	COVER ASSY., COOLING FAN	E-15-29
BUTTON, THROTTLE	FOP-1-2-10	CLIP, EMERGENCY LOCK	FOP-1-6-43	COVER ASSY., CRANKCASE UPPER	E-3-1
BUTTON, THROTTLE	FOP-1-4-8	CLIP, EMERGENCY LOCK	FOP-7-12	COVER ASSY., ENGINE	F-8-2
BUZZER COMP., WARNING	FOP-1-6-46	CLIP, EMERGENCY LOCK	FOP-7-1-10	COVER ASSY., ENGINE	F-8-2
BUZZER COMP., WARNING	FOP-1-7-41	CLIP, HARNESS	E-1-23	COVER ASSY., ENGINE	F-8-2
BUZZER COMP., WARNING	FOP-7-16	CLIP, HARNESS	E-18-54	COVER ASSY., L. TIMING BELT	E-13-10-3
BUZZER COMP., WARNING	FOP-7-1-13	CLIP, HARNESS	F-8-10-36	COVER ASSY., R. TIMING BELT	E-13-10-2
<C>		CLIP, HARNESS BAND(BLACK)	E-3-50	COVER B, TERMINAL	F-7-10-6
CABLE ASSY., POWER TILT RELAY	F-7-10-7	CLIP, HARNESS BAND(BLACK)	E-13-10-11	COVER B, TERMINAL(L)	F-7-10-5
CABLE ASSY., REMOTE CONTROL(B)	FOP-1-6-34	CLIP, HARNESS BAND(BLACK)	F-2-41	COVER COMP.	E-18-4
CABLE ASSY., REMOTE CONTROL(B)	FOP-1-7-30	CLIP, HARNESS BAND(BLACK)	F-7-5	COVER COMP., FUSE	F-7-20-2
CABLE ASSY., STARTER	F-7-10-3	CLIP, HARNESS BAND(BLACK)	F-7-10-24	COVER COMP., INTAKE MANIFOLD	E-14-10-5
CABLE ASSY., SWITCH PANEL	FOP-13-3	CLIP, HARNESS BAND(BLACK)	F-8-10-37	COVER COMP., L. UNDER ENGINE	F-3-20-21

COVER COMP., L. UNDER ENGINE	F-3-20-21	FAN, COOLING	E-13-16	HARNESS ASSY., SWITCH PANEL	FOP-7-1-4
COVER COMP., L. UNDER ENGINE	F-3-20-21	FILTER	E-18-1-12	HARNESS COMP.	E-18-41
COVER COMP., R. UNDER ENGINE	F-3-20-20	FILTER ASSY., SPOOL VALVE	E-3-19	HEAD COMP., CYLINDER	E-9-5
COVER COMP., R. UNDER ENGINE	F-3-20-20	FILTER B.	F-11-19	HOLDER	E-18-11
COVER COMP., R. UNDER ENGINE	F-3-20-20	FLOAT	E-18-1-15	HOLDER ASSY., BEARING	F-5-1-37
COVER, BEARING	E-19-5	FLOAT SET	E-18-2	HOLDER ASSY., BRUSH	E-19-1
COVER, DRAIN PLUG(L)	F-3-20-13	FLYWHEEL COMP.	E-5-11	HOLDER COMP., BRUSH	E-21-9
COVER, DRAIN PLUG(XL)	F-3-20-13	FRAME COMP., MOUNTING(L)	F-10-13	HOLDER COMP., BRUSH	E-21-9
COVER, DUAL GRIP	FOP-1-2-8	FRAME COMP., MOUNTING(XL)	F-10-13	HOLDER, BEARING	F-5-12
COVER, FLUSH VALVE	E-6-10-6	FUSE, BLOCK(150A)	F-7-20-3	HOLDER, NEUTRAL LOCK	FOP-1-4-14
COVER, FR.	F-8-6	FUSE, MINI(10A)	F-7-20-9	HOLDER, NEUTRAL LOCK	FOP-1-7-20
COVER, FR. SEPARATE	F-3-20-9	FUSE, MINI(15A)	F-7-20-10	HOLDER, OIL FILTER	E-3-10-7
COVER, GEAR CASE	F-3-5	FUSE, MINI(30A)	F-7-20-11	HOLDER, PROPELLER SHAFT	F-5-11
COVER, GRIP	FOP-1-4-4	<G>		HOLDER, PROPELLER SHAFT	F-5-1-11
COVER, IMPELLER	F-4-4	GASKET B, IMPELLER	F-4-5	HOLDER, ROD(A)	F-8-20-3
COVER, L. CAMSHAFT THRUST	E-9-8	GASKET COMP., CYLINDER HEAD	E-9-9	HOLDER, SEAL	F-2-17
COVER, L. CYLINDER HEAD	E-1-3	GASKET, EAC VALVE	E-15-5	HOLDER, SHIFT ROD	F-4-12
COVER, L. GRIP	FOP-1-5	GASKET, EX. PIPE	E-6-4	HOLDER, STRIKER	F-8-10-21
COVER, L. GRIP	FOP-1-2-6	GASKET, FR. INJECTOR BASE	E-14-12	HOSE A, PRESSURE REGULATOR	E-18-10-13
COVER, L. LOWER MOUNTING(L)	F-3-20-27	GASKET, INTAKE MANIFOLD	E-14-15	HOSE B, PRESSURE REGULATOR	E-18-10-14
COVER, L. LOWER MOUNTING(XL)	F-3-20-27	GASKET, INTAKE MANIFOLD	E-14-10-1	HOSE COMP., FUEL	E-14-9
COVER, L. RELIEF VALVE	E-6-10-17	GASKET, L. EX. MANIFOLD	E-4-5	HOSE COMP., FUEL JOINT	E-14-10
COVER, L. WATER JACKET	E-6-10-21	GASKET, MOUNT CASE	E-6-20-1	HOUSING ASSY., L. INNER	FOP-1-3
COVER, LEVER	FOP-1-7-6	GASKET, R. EX. MANIFOLD	E-4-3	HOUSING ASSY., L. INNER	FOP-1-2-3
COVER, LOCK ARM	FOP-1-4-6	GASKET, RR. INJECTOR BASE	E-14-14	HOUSING ASSY., R. INNER	FOP-1-2-4
COVER, NEUTRAL SWITCH	F-2-20	GASKET, THROTTLE BODY	E-15-2	HOUSING ASSY., R. INNER	FOP-1-4-3
COVER, OIL LEVEL GAUGE	E-3-16	GAUGE COMP., OIL LEVEL	E-3-15	HOUSING COMP., REMOTE CONTROL	FOP-1-13
COVER, OIL PUMP	E-5-4	GEAR ASSY., INTERNAL	E-21-16	HOUSING COMP., REMOTE CONTROL	FOP-1-2-14
COVER, PLUG MAINTENANCE	F-3-20-19	GEAR ASSY., INTERNAL	E-21-24	HOUSING COMP., REMOTE CONTROL	FOP-1-6-10
COVER, POWER TRIM-TILT WIRE	FOP-1-7-18	GEAR ASSY., PLANETARY	E-21-4	HOUSING COMP., REMOTE CONTROL	FOP-1-6-11
COVER, POWER TRIM-TILT WIRE(LOOSE PARTS)	FOP-1-7-74	GEAR ASSY., SHIFT	FOP-1-7-23	HOUSING, FR.	FOP-1-7-12
COVER, PUMP	E-18-28	GEAR COMP., BEVEL(FORWARD)	F-5-8	HOUSING, IMPELLER	F-4-2
COVER, PUMP(A)	E-18-29	GEAR COMP., BEVEL(REVERSE)	F-5-1-9	HOUSING, LEAD	FOP-1-14
COVER, R. CAMSHAFT THRUST	E-9-7	GEAR, BEVEL(FORWARD)(24T)	F-5-1-8	HOUSING, LEAD	FOP-1-2-15
COVER, R. CYLINDER HEAD	E-1-1	GEAR, BEVEL(REVERSE)(24T)	F-5-9	HOUSING, LOWER CENTER MOUNTING	F-10-17
COVER, R. LOWER MOUNTING(L)	F-3-20-26	GEAR, DRIVE	FOP-1-7-24	HOUSING, LOWER CENTER MOUNTING	F-10-17
COVER, R. LOWER MOUNTING(XL)	F-3-20-26	GEAR, PINION	F-4-16	HOUSING, LOWER MOUNTING	F-3-20-16
COVER, R. RELIEF VALVE	E-6-10-13	GEAR, PINION(COUNTER ROTATION)	F-4-16	HOUSING, REMOTE CONTROL BOX(C)	FOP-1-6-12
COVER, R. WATER JACKET	E-6-10-19	GENERATOR ASSY., A.C.	E-19-14	HOUSING, RR.	FOP-1-7-13
COVER, STARTER TERMINAL	F-7-10-4	GENERATOR ASSY., A.C.	E-19-14	HOUSING, UPPER MOUNTING	F-10-14
COVER, THERMOSTAT	E-4-13	GRIP	FOP-1-7-5	HOUSING, WATER PUMP	F-4-6
COVER, UPPER MOUNT	F-10-18	GRIP, REMOTE CONTROL HANDLE	FOP-1-6	<I>	
COVER, WATER JACKET	E-18-12	GRIP, REMOTE CONTROL HANDLE	FOP-1-2-7	IDLER B, TIMING BELT	E-13-15
CRANKCASE COMP.	E-3-10-1	GRIP, REMOTE CONTROL HANDLE	FOP-1-6-4	IDLER, TIMING BELT(KOYO SEIKO)	E-13-12
CRANKSHAFT COMP.	E-7-9	GRIP, SCREW DRIVER	F-13-16	IMPELLER, PUMP	F-4-1
CUP	E-18-1-16	GROMMET A, UNDER CASE	F-8-10-3	INJECTOR ASSY., FUEL	E-14-1
CUP SET, WATER SEPARATOR	E-18-1-5	GROMMET, AIR CLEANER CASE	F-8-1	INSULATOR	E-18-31
<D>		GROMMET, ELECTRONIC PARTS CASE	E-20-1	INSULATOR COMP.	E-18-30
DAMPER, HOOK	F-8-5	GROMMET, ELECTRONIC PARTS CASE	E-20-10-2	<J>	
DOWEL PIN, 10X12	E-14-30	GROMMET, ELECTRONIC PARTS CASE	F-7-10-1	JOINT A, VACUUM TUBE	E-14-10-7
DOWEL PIN, 13X37	E-3-41	GROMMET, EXTENSION CASE	F-4-13	JOINT ASSY (INLET)	F-6-2
DOWEL PIN, 13X37	E-3-41	GROMMET, GEAR CASE	F-3-4	JOINT ASSY (OUTLET)	F-6-3
DOWEL PIN, 14X15	E-5-15	GROMMET, L. IDLE PORT	F-3-20-29	JOINT ASSY., OIL PIPE	E-3-12
DOWEL PIN, 14X15	E-6-20-9	GROMMET, L. IDLE PORT	F-3-20-29	JOINT B, WASHER TUBE(MITSUBA)	F-10-8
DOWEL PIN, 16X22	E-9-15	GROMMET, L. IDLE PORT	F-3-20-57	JOINT SET	E-18-6
DOWEL PIN, 5X8	E-3-54	GROMMET, POWER TILT SWITCH	F-3-20-8	JOINT, DRIVE	F-11-16
DOWEL PIN, 6X10	E-3-53	GROMMET, R. IDLE PORT	F-3-20-28	JOINT, FUEL PIPE	E-14-8
DOWEL PIN, 6X10	E-9-14	GROMMET, R. IDLE PORT	F-3-20-28	JOINT, FUEL PIPE	E-18-38
DOWEL PIN, 6X10	E-9-18	GROMMET, R. IDLE PORT	F-3-20-56	JOINT, FUEL RETURN	E-18-10-12
DOWEL PIN, 6X10	E-13-30	GROMMET, RELAY	F-7-10-10	JOINT, FUEL TUBE	F-8-20-5
DOWEL PIN, 6X10	E-15-28	GROMMET, RELAY BRACKET	E-20-10-6	JOINT, WATER HOSE	F-3-20-2
DOWEL PIN, 6X10	F-3-24	GROMMET, SILENCER	E-15-9	<K>	
DOWEL PIN, 6X10	F-3-24	GROMMET, TIMING BELT COVER	E-13-10-1	KEY, 4.5X24	E-13-28
DOWEL PIN, 6X10	F-3-20-50	GROMMET, UNDER CASE	E-15-18	KEY, SPECIAL	E-13-29
DOWEL PIN, 6X10	F-4-24	GROMMET, UNDER CASE(C)	F-3-20-7	KEY, WOODRUFF	F-4-23
DOWEL PIN, 8X14	E-3-10-18	GROMMET, UNDER CASE(C)	F-11-10	KIT, CABLE(NMEA)(6FT)	FOP-10-1
DRIVER 3, MINUS SCREW(NO.2)	F-13-15	GROMMET, VAPOR SEPARATOR	E-18-34	<L>	
DRUM ASSY., FREE THROTTLE	FOP-1-7-26	GROMMET, VAPOR SEPARATOR	E-18-35	LABEL, FUSE & OIL CAUTION	F-12-2
<E>		GROMMET, WATER CHECK	F-3-20-30	LABEL, SIGP	FOP-1-7-45
END COVER, RR.	E-19-17	GROMMET, WATER TUBE	E-6-6	LABEL, WARNING OPERATOR	F-12-8
END, NIPPLE	F-10-10	GROMMET, WIRE(14)	FOP-1-7-21	LAMP ASSY., INDICATION	FOP-1-6-44
E-RING, 10MM	F-4-34	GUIDE COMP., ROD	F-11-52	LAMP ASSY., INDICATION	FOP-1-7-39
E-RING, 12MM	F-2-43	GUIDE, EX. VALVE(OS)	E-9-3	LAMP ASSY., INDICATION(4-LED)	FOP-7-14
E-RING, 15MM	F-11-51	GUIDE, IN. VALVE(OS)	E-9-2	LAMP ASSY., INDICATION(4-LED)	FOP-7-1-11
E-RING, 3MM	FOP-1-6-78	GUIDE, L. EX.	E-6-10-5	LEVER SET	E-21-18
E-RING, 4MM	F-2-42	GUIDE, R. EX.	E-6-10-2	LEVER, COVER LOCK	F-8-10-14
E-RING, 4MM	FOP-1-6-79	<H>		LEVER, FREE THROTTLE	FOP-1-7-28
E-RING, 6MM	F-8-10-39	HANDLE, REMOTE CONTROL	FOP-1-4	LEVER, HAND	FOP-1-7-3
E-RING, 6MM	FOP-1-36	HANDLE, REMOTE CONTROL	FOP-1-2-5	LEVER, HANDLE LOCK	FOP-1-6-3
E-RING, 6MM	FOP-1-2-41	HANDLE, REMOTE CONTROL	FOP-1-4-3	LEVER, IDLE	FOP-1-6-22
E-RING, 6MM	FOP-1-4-28	HANDLE, REMOTE CONTROL	FOP-1-6-2	LINER, PUMP	F-4-3
E-RING, 6MM (LOOSE PARTS)	FOP-1-7-65	HANGER, ENGINE	E-3-10-2	LINER, SWIVEL CASE	F-10-22
E-RING, 7MM	FOP-1-6-80	HANGER, ENGINE	E-9-1	LOCK ASSY., FR.	F-8-10-22
EXTENSION, OIL FILLER	E-3-10-6	HARNESS ASSY., MAIN EIRE	F-7-1	LOCK COMP., SIDE	F-8-10-23
<F>		HARNESS ASSY., SWITCH PANEL	FOP-7-6	LOW PERMEATION HOSE L=1600	F-6-7

LOW PERMEATION HOSE L=700	F-6-6	OIL SEAL, 39.5X52X6(ARAI)	F-10-69	PANEL, CONTROL	FOP-7-4
<M>		OIL SEAL, 39X53X8(NOK)	E-9-16	PANEL, CONTROL	FOP-7-5
MANIFOLD COMP., INTAKE	E-14-10-3	OIL SEAL, 41X66X8	E-3-42	PANEL, CONTROL	FOP-7-1-3
MANIFOLD COMP., L. EX.	E-4-4	OIL SEAL, 46X60X9	E-5-16	PIN B, DOWEL, 10X16	E-5-20
MANIFOLD COMP., R. EX.	E-4-2	OIL SEAL, 80X98X10(ARAI)	E-3-43	PIN B, DOWEL, 10X16	E-6-20-10
MARK, EMBLEM	FOP-1-7-44	ORIFICE ASSY., OIL CONTROL	E-3-10	PIN, 6X6	FOP-1-6-64
MARK, EMERGENCY STOP(US)	FOP-1-7-43	O-RING	E-14-10-13	PIN, LINK	F-2-36
MARK, EMERGENCY STOP(US)(LOOSE PARTS)	FOP-1-7-72	O-RING	E-15-25	PIN, LOCK, 6MM	FOP-1-6-63
MARK, FAST IDLE	FOP-1-6-49	O-RING	E-18-13	PIN, PISTON	E-7-3
MARK, FAST IDLE	FOP-1-7-42	O-RING	E-18-14	PIN, SHIFTER, 8X50	F-5-2
MARK, FLUSH MOUNT	FOP-1-4-19	O-RING	E-18-15	PIN, SHIFTER, 8X50	F-5-1-2
MARK, FR. EMBLEM(TOYOTA)	F-12-12	O-RING	E-18-16	PIN, SNAP, 6MM	F-2-35
MARK, HANDLE FLUSH MOUNT	FOP-1-4-18	O-RING	E-18-17	PIN, SPLIT, 4.0	F-5-22
MARK, L. SIDE STRIPE	F-12-11	O-RING	E-18-18	PIN, SPLIT, 4.0	F-5-1-23
MARK, R. SIDE STRIPE	F-12-4	O-RING	E-18-19	PIN, SPLIT, 4.0	FOP-12-2
MARK, REMOTE CONTROL(DUAL)	FOP-1-2-24	O-RING	E-18-1-20	PIN, SPRING, 3X20	F-10-73
MARK, REMOTE CONTROL(SINGLE)	FOP-1-2-1	O-RING	E-18-1-21	PIN, UPPER CYLINDER	F-11-28
MARK, RR.(BFT250)	F-12-3	O-RING	E-18-1-23	PIN, UPPER CYLINDER	F-11-28
MESH, FUEL FILTER	E-14-4	O-RING	F-4-29	PIN, UPPER CYLINDER	F-11-28
METAL COMP., ANODE	F-3-9	O-RING	FOP-12-7	PIN, VERTICAL SHAFT	E-13-19
METAL KIT, ANODE	F-10-1	O-RING SET, 3.5X31.7	F-11-47	PIPE COMP., L. EX.	E-6-5
METAL, ANODE	E-3-4	O-RING, 1.8X69.6	F-11-41	PIPE COMP., L. FUEL	E-14-5
METAL, ANODE	E-3-5	O-RING, 1.8X7.7	F-11-43	PIPE COMP., R. EX.	E-6-3
METAL, ANODE	E-4-1	O-RING, 1.9X11	F-11-44	PIPE, FUEL	E-18-10-7
METER LEAD WIRE	FOP-3-6	O-RING, 121X3.1	F-5-30	PIPE, HARNESS GUIDE	FOP-1-6-32
MOTION COMP., LOST	E-9-10	O-RING, 121X3.1	F-5-1-33	PIPE, R. FUEL	E-14-3
MOTOR ASSY., POWER TILT	F-11-5	O-RING, 121X3.1	FOP-12-8	PISTON	E-7-2
MOTOR ASSY., STARTER	E-21-1	O-RING, 13X1.5(ARAI)	E-3-48	PISTON COMP., FREE	F-11-24
MOUNT COMP., LOWER RUBBER	F-3-20-17	O-RING, 15.54X2.26	F-10-70	PISTON(O.25)	E-7-2
MOUNT COMP., UPPER RUBBER	F-10-15	O-RING, 16.3X3.5	E-3-47	PIVOT, SHIFT	F-2-12
<N>		O-RING, 16MM	E-6-10-36	PIVOT, SHIFT	FOP-1-6-17
NIPPLE, GREASE	F-10-68	O-RING, 18.3X3.5	E-3-45	PLATE	E-18-10
NIPPLE, SENSOR	F-10-11	O-RING, 2.0X70.5	F-11-40	PLATE	E-18-45
NUT, 5MM	FOP-1-7-56	O-RING, 20.6X2.6	E-5-18	PLATE	E-18-1-22
NUT, 6MM(LOOSE PARTS)	FOP-1-7-54	O-RING, 23.5X2	E-6-10-39	PLATE ASSY.	FOP-1-7-2
NUT, CASTLE, 18MM	F-5-14	O-RING, 25X2.4(NOK)	E-3-49	PLATE COMP., SLIDING	FOP-1-6-15
NUT, CASTLE, 18MM	F-5-1-14	O-RING, 26.2X2.4(NOK)	E-3-46	PLATE SET, TRANSMO(5.5MM FLAT)	FOP-9-2
NUT, FLANGE CAP, 10MM	E-3-10-16	O-RING, 26.9X2.4(NOK)	F-2-40	PLATE SET, TRIM ADJUST	FOP-9-1
NUT, FLANGE, 10MM	F-10-51	O-RING, 26X2.7	E-3-10-17	PLATE, CABLE CLAMP	FOP-1-11
NUT, FLANGE, 12MM	F-10-48	O-RING, 3.5X35.7	F-11-45	PLATE, CABLE CLAMP	FOP-1-2-12
NUT, FLANGE, 5MM	FOP-7-2	O-RING, 3.5X38.7	F-11-42	PLATE, DWELL	FOP-1-15
NUT, FLANGE, 5MM	FOP-7-1-2	O-RING, 3.5X41.7	F-11-46	PLATE, DWELL	FOP-1-2-16
NUT, FLANGE, 8MM	E-14-25	O-RING, 31.5X2.4(ARAI)	E-4-25	PLATE, DWELL	FOP-1-4-10
NUT, FLANGE, 8MM	E-14-10-19	O-RING, 33.5X2	E-6-10-38	PLATE, HANDLE	FOP-1-10
NUT, FLANGE, 8MM	E-19-25	O-RING, 37X2.4(ARAI)	E-1-24	PLATE, HANDLE	FOP-1-2-11
NUT, HEX., 12MM	F-10-72	O-RING, 48.5X2.4	E-9-17	PLATE, INTAKE MANIFOLD CENTER	E-14-10-4
NUT, HEX., 16MM	F-3-20-41	O-RING, 49.4X3.1	E-6-10-37	PLATE, L. TIMING BELT COVER	E-13-10-4
NUT, HEX., 16MM	FOP-1-6-54	O-RING, 59.4X3.1	E-21-23	PLATE, LEVER SETTING	FOP-1-6-8
NUT, HEX., 16MM	FOP-1-7-55	O-RING, 6.9X1.45	F-3-25	PLATE, LOCK	F-2-13
NUT, HEX., 16MM	FOP-7-19	O-RING, 6.9X1.45	FOP-12-6	PLATE, R. TIMING BELT COVER	E-13-10-5
NUT, HEX., 16MM	FOP-7-1-16	O-RING, 65.4X2.4	F-4-32	PLATE, REMOTE CONTROL	FOP-1-6-47
NUT, HEX., 18MM	F-4-20	O-RING, 66.4X3.1	E-4-23	PLATE, REMOTE CONTROL CABLE	F-2-2
NUT, HEX., 20MM	F-2-28	O-RING, 7.45X3.61(NOK)	E-14-29	PLATE, RUBBER SETTING	F-3-1
NUT, HEX., 5MM	FOP-1-29	O-RING, 7.47X3.6	E-14-28	PLATE, SHIFT	F-5-7
NUT, HEX., 5MM	FOP-1-35	O-RING, 7.8X1.9(ARAI)	E-14-27	PLATE, SHIFT	F-5-1-7
NUT, HEX., 5MM	FOP-1-2-33	O-RING, 7.8X1.9(ARAI)	E-18-55	PLATE, SPRING SETTING	FOP-1-6-23
NUT, HEX., 5MM	FOP-1-2-34	O-RING, 8.8X2.4	E-3-11	PLATE, STARTER CABLE	F-8-10-2
NUT, HEX., 5MM	FOP-1-2-40	O-RING, 9.5X1.9	E-3-44	PLATE, SWITCH	FOP-1-7-35
NUT, HEX., 5MM	FOP-1-6-77	O-RING, 9.5X1.9	E-4-24	PLATE, TIMING BELT GUIDE	E-13-2
NUT, HEX., 6MM	E-19-27	O-RING, PRESSURE REGULATOR	E-14-7	PLATE, WATER TUBE	E-6-7
NUT, HEX., 6MM	F-8-18	O-RING, TIMING BELT TENSIONER	E-13-11	PLATE, WINKER BUZZER	FOP-1-6-45
NUT, HEX., 6MM	FOP-1-4-25	O-RING, WATER PUMP	F-4-30	PLATE, WINKER BUZZER	FOP-1-7-40
NUT, HEX., 6MM	FOP-1-6-55	O-RING, WATER PUMP HOUSING	F-4-31	PLATE, WINKER BUZZER	FOP-7-15
NUT, HEX., 6MM	FOP-1-6-76	<P>		PLATE, WINKER BUZZER	FOP-7-1-12
NUT, LOCK, 68MM	F-4-19	PACKING	E-21-17	PLUG, BLIND, 20MM	F-8-19
NUT, PLANGE, 5MM	FOP-6-2	PACKING	F-11-49	PLUG, FUEL TUBE	F-8-20-2
NUT, PULLEY LOCK	E-19-7	PACKING, DUAL	FOP-1-2-19	PLUG, HOLE, 5MM	F-3-20-54
NUT, SELF-LOCK(25X2.0)	F-10-50	PACKING, FLASH VALVE	E-6-10-16	PLUG, INNER CONNECTOR	FOP-1-6-35
NUT, SELF-LOCK(3/8-24UNF)	F-10-52	PACKING, HEAD COVER	E-1-2	PLUG, INNER CONNECTOR	FOP-1-7-31
NUT, SELF-LOCK(7/8-14UNF)	F-10-49	PACKING, INTAKE MANIFOLD UP	E-14-10-6	PLUG, INNER CONNECTOR	FOP-7-7
NUT, SELF-LOCK, 10MM	F-3-20	PACKING, OIL HOLE	E-3-9	PLUG, INNER CONNECTOR	FOP-7-1-5
NUT, SELF-LOCK, 12MM	F-3-21	PACKING, OIL LEVEL GAUGE	E-3-17	PLUG, OUTER CONNECTOR	FOP-1-6-36
NUT, SELF-LOCK, 14MM	F-3-20-42	PACKING, OIL PAN	E-6-2	PLUG, OUTER CONNECTOR	FOP-1-7-32
NUT, SELF-LOCK, 5MM	F-3-19	PACKING, OIL PUMP BODY	E-5-2	PLUG, OUTER CONNECTOR	FOP-7-8
NUT, SELF-LOCK, 6MM	F-3-18	PACKING, RELIEF VALVE	E-6-10-15	PLUG, OUTER CONNECTOR	FOP-7-1-6
NUT, SELF-LOCK, 6MM	F-10-47	PACKING, RELIEF VALVE COVER	E-6-10-14	PLUG, SPARK(ZFR6K-11E)(NGK)	E-20-3
NUT, TAPPET ADJUSTING	E-9-10-20	PACKING, SINGLE	FOP-1-18	PLUG, SPARK(ZFR6K-11E)(NGK)	E-20-3
NUT, WATER MOUTH	F-3-20-1	PACKING, THROTTLE BODY	E-14-10-2	PRIMER BULB	F-6-4
NUT-WASHER, 5MM	E-19-26	PACKING, WATER JACKET COVER	E-6-10-20	PRIMER BULB ASSY	F-6-1
NUT-WASHER, 6MM	F-7-10-18	PAN, OIL	E-6-1	PROPELLER COMP., THREE BLADES	FOP-8-1
NUT-WASHER, 8MM	F-7-10-17	PANEL ASSY., INDICATOR(4-LED)	FOP-7-13	PROPELLER COMP., THREE BLADES	FOP-8-1
<O>		PANEL ASSY., SWITCH	FOP-7-3	PROPELLER COMP., THREE BLADES	FOP-8-1
OIL SEAL	F-11-39	PANEL KIT, SWITCH(4-LED)	FOP-7-1-1	PROPELLER COMP., THREE BLADES	FOP-8-1
OIL SEAL, 14X26X6	F-2-38	PANEL KIT, SWITCH(B)(4-LED)	FOP-7-1	PROPELLER COMP., THREE BLADES	FOP-8-1
OIL SEAL, 31X46X7(NOK)	E-5-17	PANEL, BACK	FOP-1-7-14	PROPELLER COMP., THREE BLADES	FOP-8-1

PROPELLER COMP., THREE BLADES	FOP-8-1	SCREW, 5X12	FOP-1-7-50	SEAL, WATER, 30X45X7	F-5-1-32
PROPELLER COMP., THREE BLADES	FOP-8-1	SCREW, 5X18	FOP-1-7-46	SEAL, WATER, 30X45X7	FOP-12-4
PROPELLER COMP., THREE BLADES	FOP-8-1	SCREW, 6X90(LOOSE PARTS)	FOP-1-7-51	SEAT, SPRING(250)	E-7-14
PROPELLER COMP., THREE BLADES	FOP-8-1	SCREW, 6X95	FOP-1-6-53	SEAT, VALVE SPRING	E-9-10-16
PROPELLER COMP., THREE BLADES	FOP-8-1	SCREW, FLAT, 5X12	FOP-1-6-52	SEAT, WATER MOUTH	F-3-20-3
PROPELLER COMP., THREE BLADES	FOP-8-1	SCREW, FLAT, 5X55	F-3-11	SENSOR ASSY., AIR TEMP.	E-15-16
PROPELLER COMP., THREE BLADES	FOP-8-1	SCREW, FLAT, 6X16	E-5-19	SENSOR ASSY., CRANK	E-3-27
PROPELLER COMP., THREE BLADES	FOP-8-1	SCREW, PAN	E-18-21	SENSOR ASSY., MAP	E-14-10-12
PULLER, MINI FUSE	F-7-20-4	SCREW, PAN, 4X10	FOP-1-26	SENSOR ASSY., TRIM ANGLE	F-10-7
PULLEY	E-19-6	SCREW, PAN, 4X10	FOP-1-2-29	SENSOR ASSY., WATER	E-3-26
PULLEY COMP., L. TIMING BELT	E-13-5	SCREW, PAN, 5X10	FOP-1-23	SENSOR ASSY., WATER	E-4-15
PULLEY COMP., R. TIMING BELT	E-13-4	SCREW, PAN, 5X10	FOP-1-2-26	SENSOR COMP., KNOCK	E-3-20
PULLEY, CRANKSHAFT	E-13-3	SCREW, PAN, 5X10	FOP-1-6-70	SENSOR COMP., TDC1-TDC2	E-13-10-6
PULLEY, TIMING BELT DRIVE	E-13-1	SCREW, PAN, 5X12	E-18-1-14	SENSOR, OXYGEN	E-4-14
PUMP ASSY.	F-11-14	SCREW, PAN, 5X16	FOP-1-22	SEPARATOR ASSY., VAPOR	E-18-33
PUMP ASSY., FUEL	E-1-7	SCREW, PAN, 5X16	FOP-1-2-25	SEPARATOR ASSY., WATER	E-18-1-4
PUMP ASSY., OIL	E-5-1	SCREW, PAN, 5X16	FOP-1-4-20	SEPARATOR, EXTENSION	F-3-2
PUMP KIT, IMPELLER	F-4-35	SCREW, PAN, 5X18	FOP-1-25	SHAFT ASSY., CLUTCH	E-21-13
PUMP KIT, IMPELLER	F-4-36	SCREW, PAN, 5X18	FOP-1-2-28	SHAFT ASSY., CLUTCH	E-21-13
PUMP UNIT SET A, FUEL	E-18-7	SCREW, PAN, 5X20	FOP-1-24	SHAFT ASSY., GEAR	E-21-15
PUMP UNIT SET B, FUEL	E-18-9	SCREW, PAN, 5X20	FOP-1-2-27	SHAFT ASSY., GEAR	E-21-15
PUMP UNIT, FUEL	E-18-37	SCREW, PAN, 5X30	FOP-1-4-22	SHAFT COMP., EX. ROCKER ARM	E-9-10-8
<R>		SCREW, PAN, 5X40	FOP-1-28	SHAFT COMP., INTAKE ROCKER ARM	E-9-10-7
RECEIVER, THRUST	F-10-30	SCREW, PAN, 5X40	FOP-1-2-31	SHAFT COMP., SHIFT(A)	F-2-8
RECTIFIER ASSY.	E-19-19	SCREW, PAN, 5X40	FOP-6-3	SHAFT COMP., SHIFT(B)	F-2-14
REGULATOR ASSY.	E-19-20	SCREW, PAN, 5X40	FOP-7-18	SHAFT, COVER OPEN	F-8-10-19
REGULATOR ASSY., PRESSURE	E-14-6	SCREW, PAN, 5X40	FOP-7-1-15	SHAFT, FR. LOCK	F-8-10-20
RELAY ASSY., FUEL PUMP(DENSO)	F-7-20-5	SCREW, PAN, 5X55	FOP-1-2-32	SHAFT, PROPELLER	F-5-10
RELAY ASSY., POWER TILT	F-7-10-9	SCREW, PAN, 5X65	FOP-1-34	SHAFT, PROPELLER	F-5-1-10
RELAY ASSY., POWER(12V-20A)	F-7-20-6	SCREW, PAN, 5X65	FOP-1-2-39	SHAFT, THROTTLE BUTTON	FOP-1-4-9
RETAINER, SPRING	E-7-13	SCREW, PAN, 5X8	E-21-22	SHAFT, TILTING	F-10-26
RETAINER, VALVE SPRING	E-9-10-15	SCREW, PAN, 6X10	FOP-1-6-51	SHAFT, VERTICAL(L)	F-4-14
RING	E-18-32	SCREW, PAN, 6X18	E-4-26	SHAFT, VERTICAL(XL)	F-4-14
RING SET, PISTON(0.25)(RIKEN)	E-7-1	SCREW, PAN, 6X18	FOP-1-27	SHAFT, VERTICAL(XXL)	F-4-14
RING SET, PISTON(STD.)(RIKEN)	E-7-1	SCREW, PAN, 6X18	FOP-1-2-30	SHIFTER, CLUTCH	F-5-1
RING, BACK UP	F-11-20	SCREW, PAN, 6X22	E-21-21	SHIFTER, CLUTCH	F-5-1-1
RING, CROSS PIN	F-5-3	SCREW, PAN, 6X22(SPECIAL)	E-21-21	SHIM A, BEVEL(0.10)	F-5-18
RING, CROSS PIN	F-5-1-3	SCREW, PAN, 6X25	F-3-20-40	SHIM A, BEVEL(0.10)	F-5-1-18
RING, INNER(15X20X23)	F-2-37	SCREW, PAN, 6X35	FOP-1-4-23	SHIM A, BEVEL(0.10)	F-5-1-19
RING, SETTING(39)	F-5-21	SCREW, PAN, 6X8	F-10-44	SHIM A, GEAR(0.10)	F-4-22
RING, STOPPER	F-2-7	SCREW, PAN, 6X8	F-10-77	SHIM A, THRUST(2.75)	F-5-19
RING, WATER TUBE SEAL	F-4-8	SCREW, PAN, 6X8	F-11-35	SHIM B, BEVEL(0.15)	F-5-18
ROD COMP. A, SHIFT(L)	F-4-11	SCREW, RIVET, 5X10	F-10-45	SHIM B, BEVEL(0.15)	F-5-1-18
ROD COMP. A, SHIFT(XL)	F-4-11	SCREW, RIVET, 5X10	F-11-36	SHIM B, BEVEL(0.15)	F-5-1-19
ROD COMP. A, SHIFT(XXL)	F-4-11	SCREW, SPECIAL, 6X35	F-3-20-34	SHIM B, GEAR(0.15)	F-4-22
ROD COMP., CONNECTING	E-7-7	SCREW, TAPPET ADJUSTING	E-9-10-12	SHIM B, THRUST(2.80)	F-5-19
ROD COMP., PISTON	F-11-53	SCREW, TAPPING, 4X10	F-8-17	SHIM C, BEVEL(0.30)	F-5-18
ROD COMP., PISTON(B)	F-11-15	SCREW, TAPPING, 5X10	FOP-1-6-72	SHIM C, BEVEL(0.30)	F-5-1-18
ROD COMP., SHIFT	F-4-9	SCREW, TAPPING, 5X12	FOP-1-6-73	SHIM C, BEVEL(0.30)	F-5-1-19
ROD COMP., SHIFT	F-4-9	SCREW, TAPPING, 5X25	FOP-1-6-75	SHIM C, GEAR(0.30)	F-4-22
ROD KIT, STEERING	F-10-3	SCREW, TAPPING, 5X8	FOP-1-6-71	SHIM C, THRUST(2.85)	F-5-19
ROD, LINK	F-2-10	SCREW, TAPPING, 6X16	FOP-1-6-74	SHIM D, BEVEL(0.50)	F-5-18
ROLLER	FOP-1-7-67	SCREW, TAPPING, 6X30	FOP-1-4-24	SHIM D, BEVEL(0.50)	F-5-1-18
ROLLER, 3X13.8	F-5-28	SCREW, TRUSS, 4X12	FOP-1-4-21	SHIM D, BEVEL(0.50)	F-5-1-19
ROLLER, 3X13.8	F-5-1-31	SCREW, WASHER	E-18-22	SHIM D, GEAR(0.50)	F-4-22
ROLLER, 5X8	E-5-24	SCREW, WAVE WASHER	E-19-12	SHIM D, THRUST(2.90)	F-5-19
ROLLER, CLICK	FOP-1-6-65	SCREW, WAVE WASHER	E-19-13	SHIM E, THRUST(2.95)	F-5-19
ROLLER, DRIVE GEAR CAM	FOP-1-7-66	SCREW-WASHER	E-18-20	SHIM F, THRUST(3.00)	F-5-19
ROLLER, FREE THROTTLE	FOP-1-7-70	SCREW-WASHER	E-19-11	SHIM G, THRUST(3.05)	F-5-19
ROTOR ASSY.	E-19-15	SCREW-WASHER, 5X15	F-7-20-8	SHIM H, THRUST(3.10)	F-5-19
ROTOR COMP.	E-21-2	SCREW-WASHER, 6X40	F-3-20-40	SHIM I, THRUST(2.70)	F-5-19
ROTOR, OIL PUMP INNER	E-5-5	SEAL A, COVER UNDER	F-3-20-22	SHIM J, THRUST(2.65)	F-5-19
ROTOR, OIL PUMP OUTER	E-5-6	SEAL A, VALVE STEM(NOK)	E-9-4	SHIM K, THRUST(2.60)	F-5-19
RUBBER C, STAND STOPPER	F-3-20-55	SEAL B, COVER UNDER	F-3-20-23	SHIM L, THRUST(2.55)	F-5-19
RUBBER, DRAIN PLUG	F-3-20-11	SEAL B, EX. GUIDE	E-6-10-4	SHIM M, THRUST(2.50)	F-5-19
RUBBER, FR. CARRIER CUSHION	F-8-10-11	SEAL B, VALVE STEM(NOK)	E-9-6	SLIDER COMP., SHIFT	F-5-4
RUBBER, MOUNT CASE SEAL	E-6-10-23	SEAL C, UNDER COVER	F-3-20-25	SLIDER COMP., SHIFT	F-5-1-4
RUBBER, OIL PUMP	E-5-3	SEAL D, UNDER COVER	F-8-10-25	SLIDER, SHIFT	F-5-5
RUBBER, RING	E-4-11	SEAL, ENGINE COVER	F-8-3	SLIDER, SHIFT	F-5-1-5
RUBBER, STOPPER	F-8-10-10	SEAL, EXHAUST GUIDE	E-6-10-3	SLINGER, OIL	F-4-15
RUBBER, UPPER MOUNT STOPPER	F-10-16	SEAL, L. IDOL PORT	F-3-20-15	SPACER KIT, REMOTE CONTROL BOX	FOP-1-2
<S>		SEAL, L. IDOL PORT	F-3-20-15	SPACER KIT, REMOTE CONTROL BOX	FOP-1-2-2
SCREEN COMP., FUEL STRAINER	E-18-39	SEAL, R. IDOL PORT	F-3-20-14	SPACER(1)(LOOSE PARTS)	FOP-1-7-60
SCREEN, L. WATER	F-3-7	SEAL, R. IDOL PORT	F-3-20-14	SPACER(2)(LOOSE PARTS)	FOP-1-7-64
SCREEN, R. WATER	F-3-6	SEAL, RUBBER	FOP-1-7-19	SPACER, CABLE CLAMP	FOP-1-17
SCREW	E-3-51	SEAL, SPARK PLUG TUBE(NOK)	E-1-4	SPACER, CABLE CLAMP	FOP-1-2-18
SCREW	E-3-52	SEAL, UPPER MOUNT COVER	F-10-19	SPACER, CABLE CLAMP	FOP-1-4-13
SCREW	E-19-9	SEAL, WATER	F-11-48	SPACER, CABLE CLAMP	FOP-1-6-33
SCREW	E-19-10	SEAL, WATER(14X26X8)	F-2-39	SPACER, CLICK SPRING	FOP-1-6-27
SCREW SET	E-15-1	SEAL, WATER, 12X21X6	F-4-28	SPACER, INTAKE MANIFOLD	E-14-16
SCREW SET, DRAIN	E-18-5	SEAL, WATER, 12X21X6	FOP-12-5	SPACER, L. RELIEF VALVE	E-6-10-18
SCREW SET, DRAIN	E-18-1-34	SEAL, WATER, 22X35X7	E-6-10-35	SPACER, NEUTRAL SWITCH	FOP-1-6-30
SCREW, 4X10	FOP-1-7-49	SEAL, WATER, 26X42X7	F-4-27	SPACER, R. RELIEF VALVE	E-6-10-12
SCREW, 4X6	FOP-1-7-47	SEAL, WATER, 26X42X7	FOP-12-3	SPACER, REMOTE CONTROL BOX	FOP-1-6-26
SCREW, 5X10	FOP-1-7-48	SEAL, WATER, 30X45X7	F-5-29	SPACER, THERMOSTAT COVER	E-4-12

SPACER, THROTTLE BODY	E-15-4	THERMOSTAT ASSY.	E-4-10	WASHER, PIVOT	F-2-4
SPRING COMP., CLICK	F-2-5	THROTTLE BODY ASSY.	E-15-3	WASHER, PLAIN	E-18-24
SPRING COMP., CLICK	F-10-4	TIE, CABLE	FOP-10-2	WASHER, PLAIN	E-18-25
SPRING COMP., TIMING BELT	E-13-9	TIE, CABLE(NATURAL)(2.4X92)	FOP-1-6-37	WASHER, PLAIN, 10MM	E-6-20-8
SPRING(1)	FOP-1-7-27	TIE, CABLE(NATURAL)(2.4X92)	FOP-13-4	WASHER, PLAIN, 10MM	F-3-23
SPRING(2)	FOP-1-7-8	T-JOINT	E-1-10	WASHER, PLAIN, 10MM	F-3-20-46
SPRING, ACCELERATOR WHEEL	FOP-1-6-21	T-JOINT	E-18-10-17	WASHER, PLAIN, 10MM	F-8-10-32
SPRING, AIR FLOW TUBE	E-15-7	TRIM METER ASSY (BLACK)	FOP-3-1	WASHER, PLAIN, 10MM	F-10-60
SPRING, CHOKE RETURN	FOP-1-6-25	TRIM-TILT ASSY., POWER	F-11-13	WASHER, PLAIN, 12MM	E-6-20-7
SPRING, CLICK ASSIST	F-2-6	TUBE A, AIR VENT	E-18-10-4	WASHER, PLAIN, 12MM	F-3-22
SPRING, CLICK ASSIST	F-10-5	TUBE B, AIR VENT	E-18-10-5	WASHER, PLAIN, 12MM	F-3-20-45
SPRING, COVER LOCK HOOK	F-8-10-17	TUBE B, BREATHER	E-1-26	WASHER, PLAIN, 12MM	F-4-21
SPRING, DETENT	FOP-1-7-29	TUBE C, BREATHER	E-1-27	WASHER, PLAIN, 12MM	F-5-20
SPRING, EX. VALVE	E-9-10-14	TUBE COMP. A, BREATHER	E-1-25	WASHER, PLAIN, 12MM	F-5-1-22
SPRING, FLUSH VALVE	E-6-10-8	TUBE COMP. A, FUEL	F-8-20-1	WASHER, PLAIN, 12MM	F-8-15
SPRING, LOCK ADJUSTER	F-8-7	TUBE COMP. B, FUEL	E-18-1-8	WASHER, PLAIN, 12MM	F-10-63
SPRING, LOCK LEVER RETURN	F-8-10-18	TUBE COMP. D, FUEL	E-18-1-9	WASHER, PLAIN, 12MM	F-10-64
SPRING, MOTOR	F-11-9	TUBE COMP. E, FUEL	E-18-1-10	WASHER, PLAIN, 14MM	F-3-20-44
SPRING, NEUTRAL LOCK ARM	FOP-1-4-7	TUBE COMP. G, FUEL	E-1-9	WASHER, PLAIN, 4MM	FOP-1-6-56
SPRING, RELIEF VALVE	E-5-9	TUBE COMP., AIR VENT	E-18-10-6	WASHER, PLAIN, 5MM	FOP-1-31
SPRING, RELIEF VALVE	E-6-10-11	TUBE COMP., AIR VENT(C)	E-1-8	WASHER, PLAIN, 5MM	FOP-1-33
SPRING, REMOTE CONTROL HANDLE	FOP-1-6-7	TUBE KIT, SPEED SENSOR	F-10-2	WASHER, PLAIN, 5MM	FOP-1-2-36
SPRING, ROCKER ARM	E-9-10-9	TUBE, 5X200	F-10-74	WASHER, PLAIN, 5MM	FOP-1-2-38
SPRING, SET	E-18-40	TUBE, 5X950	F-10-75	WASHER, PLAIN, 5MM	FOP-1-6-57
SPRING, SHIFT	F-5-6	TUBE, CHECK VALVE	E-18-10-3	WASHER, PLAIN, 5MM	FOP-1-6-58
SPRING, SHIFT	F-5-1-6	TUBE, FLUSH VALVE	E-6-10-41	WASHER, PLAIN, 5MM	FOP-6-4
SPRING, SHIFT CLICK	FOP-1-6-24	TUBE, FUEL, 3.5X130	E-14-10-21	WASHER, PLAIN, 5MM	FOP-7-21
SPRING, SHIFT ROD	F-4-10	TUBE, FUEL, 3.5X40	E-14-10-20	WASHER, PLAIN, 5MM	FOP-7-1-18
SPRING, SUPPORT	E-7-15	TUBE, FUEL, 3.5X50	E-14-31	WASHER, PLAIN, 6MM	E-15-24
SPRING, VALVE(PINK)	E-9-10-13	TUBE, FUEL, 3.5X540	E-14-10-22	WASHER, PLAIN, 6MM	F-2-31
STAY, A.C. GENERATOR	E-19-16	TUBE, FUEL, 3.5X55	E-18-10-23	WASHER, PLAIN, 6MM	F-2-33
STAY, FUEL PIPE A	E-18-1-2	TUBE, FUEL, 3.5X590	E-14-10-23	WASHER, PLAIN, 6MM	F-2-34
STAY, FUEL PIPE B	E-18-1-3	TUBE, FUEL, 3.5X600	E-14-10-24	WASHER, PLAIN, 6MM	F-8-14
STAY, FUEL STRAINER	E-18-1-17	TUBE, L. WATER RETURN	E-4-9	WASHER, PLAIN, 6MM	F-10-61
STAY, PLATE	E-18-8	TUBE, OIL	E-1-5	WASHER, PLAIN, 6MM	FOP-1-4-27
STAY, PLATE	E-18-36	TUBE, R. WATER RETURN	E-4-6	WASHER, PLAIN, 6MM	FOP-1-6-59
STAY, POWER TILT SWITCH	F-3-20-6	TUBE, SPIRAL(12X14.6)	F-11-4	WASHER, PLAIN, 8MM	E-1-20
STAY, VACUUM TANK	E-18-44	TUBE, VINYL, 3.5X6.5X350	E-18-1-33	WASHER, PLAIN, 8MM	E-6-12
STAY, WATER SEPARATOR	E-18-1-7	TUBE, VINYL, 3.5X6.5X600	E-18-10-24	WASHER, PLAIN, 8MM	F-7-10-19
STOPPER SET, SLEEVE	E-21-8	TUBE, WATER	E-4-8	WASHER, PLAIN, 8MM	F-8-10-28
STOPPER SET, SLEEVE	E-21-8	TUBE, WATER CHECK	E-6-10-40	WASHER, PLAIN, 8MM	F-8-10-35
STOPPER, LOWER MOUNT	F-3-20-18	TUBE, WATER IN	E-18-10-15	WASHER, PLAIN, 8MM	FOP-1-6-61
STOPPER, TILT	F-10-29	TUBE, WATER JOINT	F-3-20-51	WASHER, PROPELLER	F-5-17
STRAINER ASSY., FUEL	E-18-1-11	TUBE, WATER OUTLET	E-18-10-16	WASHER, PROPELLER	F-5-17
STRAINER COMP., OIL	E-5-7	TUBE, WATER RELIEF	E-4-7	WASHER, PROPELLER	F-5-1-17
STRAINER, FUEL PUMP	E-18-10-8	TUBE, WATER(L)	F-4-7	WASHER, PROPELLER	F-5-1-17
SUB HARNESS ASSY., POWER	FOP-1-19	TUBE, WATER(XL)	F-4-7	WASHER, PROPELLER THRUST	F-5-15
SUB HARNESS ASSY., POWER	FOP-1-2-20	TUBE, WATER(XXL)	F-4-7	WASHER, PROPELLER THRUST	F-5-15
SUB HARNESS ASSY., POWER	FOP-1-2-21	<V>		WASHER, PROPELLER THRUST	F-5-1-15
SUB HARNESS ASSY., POWER	FOP-1-4-16	VALVE ASSY., AIR BYPASS	E-14-10-10	WASHER, PROPELLER THRUST	F-5-1-15
SUSPENSION, COUPLER	F-7-2	VALVE ASSY., EAC	E-15-17	WASHER, SEALING(22MM)	E-3-8
SUSPENSION, STRAINER	E-18-1-18	VALVE ASSY., SPOOL	E-3-18	WASHER, SEALING(22MM)	E-3-10-3
SUSPENSION, STRAINER	E-18-1-19	VALVE COMP., MANUAL	F-11-25	WASHER, SEALING, 22MM	E-3-7
SUSPENSION, STRAINER	E-18-10-9	VALVE COMP., RESERVOIR	F-11-26	WASHER, SEALING, 6MM	E-18-53
SWITCH ASSY., COMBINATION	FOP-1-6-38	VALVE SET, FLOAT	E-18-1	WASHER, SPRING, 5MM	FOP-6-5
SWITCH ASSY., COMBINATION	FOP-1-7-33	VALVE, CHECK	E-14-10-9	WASHER, SPRING, 5MM	FOP-7-22
SWITCH ASSY., COMBINATION	FOP-7-9	VALVE, CHECK	E-18-10-18	WASHER, SPRING, 5MM	FOP-7-1-19
SWITCH ASSY., COMBINATION	FOP-7-1-7	VALVE, EX	E-9-10-11	WASHER, THRUST	E-7-11
SWITCH ASSY., EMERGENCY STOP	FOP-1-6-41	VALVE, FLASH	E-6-10-10	WASHER, THRUST BEARING	F-5-16
SWITCH ASSY., EMERGENCY STOP	FOP-1-7-37	VALVE, IN	E-9-10-10	WASHER, THRUST BEARING	F-5-1-16
SWITCH ASSY., EMERGENCY STOP	FOP-7-10	VALVE, RELIEF	E-5-8	WASHER, THRUST, 14MM	F-2-29
SWITCH ASSY., EMERGENCY STOP	FOP-7-1-8	VALVE, RELIEF	E-6-10-9	WASHER, THRUST, 34MM	F-10-56
SWITCH ASSY., MAGNET	E-21-12	<W>		WASHER, THRUST, 48X74X3	F-5-1-21
SWITCH ASSY., MAGNET	E-21-12	WASHER	F-2-32	WASHER, THRUST, 85X110X2	F-5-1-20
SWITCH ASSY., NEUTRAL	F-2-18	WASHER B, THRUST, 14MM	F-2-30	WASHER, UPPER MOUNTING STOPPER	F-10-57
SWITCH ASSY., OIL PRESSURE	E-3-24	WASHER KIT, THRUST(250)	E-7-16	WASHER, UPPER MOUNTING STOPPER	F-10-57
SWITCH ASSY., OIL PRESSURE	E-3-25	WASHER(3)	FOP-1-7-58	WASHER, UPPER MOUNTING STOPPER	F-10-57
SWITCH ASSY., POWER TILT	F-3-20-5	WASHER(4)	FOP-1-7-59	WASHER, WAVE	FOP-1-7-63
SWITCH ASSY., POWER TRIM-TILT	FOP-1-20	WASHER(5)	FOP-1-7-60	WASHER, WAVE, 10MM	F-8-10-34
SWITCH ASSY., POWER TRIM-TILT	FOP-1-2-22	WASHER(7)(LOOSE PARTS)	FOP-1-7-62	WASHER, WAVE, 12MM	F-10-54
SWITCH ASSY., POWER TRIM-TILT	FOP-1-2-23	WASHER, 10MM	F-10-62	WASHER, WAVE, 26MM	F-10-55
SWITCH ASSY., POWER TRIM-TILT	FOP-1-4-17	WASHER, 25MM	F-10-59	WASHER, WAVE, 40MM	F-10-53
SWITCH ASSY., POWER TRIM-TILT	FOP-1-6-39	WASHER, 28MM	FOP-1-6-62	WASHER, WAVE, 8MM	F-8-10-33
SWITCH ASSY., POWER TRIM-TILT	FOP-1-7-34	WASHER, 30MM	F-3-20-43	WHEEL, ACCELERATOR	FOP-1-6-20
SWITCH KIT, LIGHT	FOP-6-1	WASHER, 6MM	FOP-1-6-60	WHEEL, CONTROL	FOP-1-6-13
<T>		WASHER, 7/8INCH	F-10-58	WIRE, LEAD(1.5X116MM)	F-10-9
TAB, TRIM	F-3-8	WASHER, 8MM	FOP-1-7-61	WIRE, LEAD(1.5X116MM)	F-11-11
TACHOMETER HOUR METER (BLACK) ..	FOP-3-4	WASHER, AIR CLEANER COVER	F-2-1	WRENCH, BOX(10MM)	F-13-14
TANK COMP., VACUUM	E-18-43	WASHER, CONICAL SPRING(5)	E-14-10-11	WRENCH, EYE, 19MM	F-13-12
TANK, OIL	F-11-29	WASHER, DRAIN PLUG, 12MM	E-6-13	WRENCH, HEX., 6MM	F-13-7
TENSIONER COMP., TIMING BELT	E-13-7	WASHER, LOCK, 5MM	FOP-1-30	WRENCH, PLUG	F-13-6
TERMINAL, CABLE	FOP-1-16	WASHER, LOCK, 5MM	FOP-1-2-35	<Y>	
TERMINAL, CABLE	FOP-1-2-17	WASHER, LOCK, 5MM	FOP-1-4-26	YOKE ASSY.	F-11-8
TERMINAL, CABLE	FOP-1-4-12	WASHER, LOCK, 6MM	FOP-1-32	YOKE COMP.	E-21-5
TERMINAL, CABLE(LOOSE PARTS)	FOP-1-7-25	WASHER, LOCK, 6MM	FOP-1-2-37		

INDEX (Parts Number)

332-70201-0	F-6-8	HCO-94301-08140	E-3-10-18	HMT2-17193-000	E-1-10	HPT0-90705-000	E-9-15
3C7-70217-0	F-6-5	HCO-94301-10120	E-14-30	HMT8-18334-770	FOP-6-2	HPT2-91005-N01	F-5-23
3C7-70220-1	F-6-2	HCO-94302-06100	E-9-18	HMT8-18334-770	FOP-7-2	HPT2-91005-N01	F-5-1-24
3C7-70224-1	F-6-3	HCO-94302-10160	E-5-20	HMT8-18334-770	FOP-7-1-2	HPW5-90701-000	E-5-15
3FF-70200-4	F-6-1	HCO-94302-10160	E-6-20-10	HP01-91212-003	E-5-17	HPW5-90701-000	E-6-20-9
3GF-70211-1	F-6-4	HCO-94303-05080	E-3-54	HP08-12342-004	E-1-4	HPY3-17249-000	E-15-7
3GF-70240-1	F-6-7	HCO-94305-30203	F-10-73	HP0A-91303-A02	E-15-25	HPY3-31215-004	E-21-4
3GF-70241-1	F-6-6	HCO-94510-15000	F-5-31	HP0X-91321-003	E-3-49	HPY3-31218-004	E-21-6
3PU-72537-0	FOP-3-6	HCO-94510-15000	F-5-1-34	HP13-31141-003	E-19-6	HPZ1-12210-004	E-9-4
3PV-72571-0	FOP-3-1	HCO-94520-47000	F-4-37	HP13-31147-003	E-19-10	HPZ1-12211-004	E-9-6
3PV-72637-0	FOP-3-4	HCO-94540-03029	FOP-1-6-78	HP13-31148-003	E-19-12	HR70-15280-A00	E-3-13
H121-51640-730	F-8-10-11	HCO-94540-04029	F-2-42	HP5A-13115-000	E-7-4	HRCA-14632-A00	E-9-10-8
H196-47117-000	F-8-10-10	HCO-94540-04029	FOP-1-6-79	HP5A-31201-005	E-21-2	HRCA-17055-A01	E-14-12
H341-38403-672	FOP-1-6-45	HCO-94540-06029	F-8-10-39	HP5A-31243-005	E-21-14	HRCA-17065-A01	E-14-14
H341-38403-672	FOP-1-7-40	HCO-94540-06029	FOP-1-36	HP5G-16614-003	E-14-4	HRCA-90014-A01	E-3-32
H341-38403-672	FOP-7-15	HCO-94540-06029	FOP-1-2-41	HP8A-11812-A00	E-13-10-1	HRCA-90704-A00	E-13-28
H341-38403-672	FOP-7-1-12	HCO-94540-06029	FOP-1-4-28	HP8A-13204-A01	E-7-6	HRDV-14765-J00	E-9-10-15
H355-89217-000	F-13-14	HCO-94540-07029	FOP-1-6-80	HP8A-14400-A01	E-13-6	HRCM-14781-A01	E-9-10-17
H371-89221-000	F-13-7	HCO-94540-10019	F-4-34	HP8A-14551-A01	E-13-13	HRJA-14711-000	E-9-10-10
H371-90009-015	E-6-20-2	HCO-94540-12029	F-2-43	HP8A-14620-A00	E-9-10-4	HRJA-14721-E00	E-9-10-11
H560-90715-A00	E-3-41	HCO-94540-15029	F-11-51	HP8A-14626-A00	E-9-10-5	HRJA-15290-000	E-3-14
H663-38562-920	F-10-8	HCO-95001-35040-40	E-14-10-20	HP8A-14627-A00	E-9-10-6	HRJA-90017-003	E-13-22
H723-90472-000	F-4-21	HCO-95001-35050-40	E-14-31	HP8A-14631-A00	E-9-10-7	HRK9-13210-000	E-7-7
H759-16911-003	E-18-10-8	HCO-95001-35055-40	E-18-10-23	HP8A-14645-A01	E-9-10-9	HRK9-13310-000	E-7-9
H763-90681-A01	F-7-10-21	HCO-95001-35130-40	E-14-10-21	HP8A-15115-A01	E-3-9	HRK9-14761-003	E-9-10-13
H763-90681-A01	F-10-67	HCO-95001-35540-40	E-14-10-22	HP8A-15140-A00	E-3-10	HRK9-91213-003	E-9-16
H800-91303-000	E-6-10-36	HCO-95001-35590-60	E-14-10-23	HP8A-15142-A00	E-3-11	HRNA-30530-A01	E-3-20
H805-91301-000	E-3-10-17	HCO-95001-35600-40	E-14-10-24	HP8A-15150-A00	E-3-12	HRNA-37830-A01	E-14-10-12
H881-90110-000	F-10-42	HCO-95003-05035-31	E-18-1-33	HP8A-90003-A00	E-9-10-18	HRTA-15400-004	E-3-10-4
H921-15611-000	E-3-10-5	HCO-95003-05060-31	E-18-10-24	HP8A-90004-A00	E-9-10-19	HRYE-13211-A01	E-7-8
H921-17936-000	F-2-4	HCO-95005-50200-30	F-10-74	HP8A-90017-A01	E-13-8-10	HRYE-13212-A01	E-7-8
H921-90302-000	F-3-20-41	HCO-95005-50950-30	F-10-75	HP8A-90031-A01	E-13-25	HRYE-13213-A01	E-7-8
H921-90302-000	FOP-1-6-54	HCO-95011-63000	F-3-20-55	HP8A-90701-A00	E-9-14	HRYE-13214-A01	E-7-8
H921-90302-000	FOP-1-7-55	HCO-95551-20000	F-8-19	HP8A-91301-A00	E-9-17	HRYE-13215-A01	E-7-8
H921-90302-000	FOP-7-19	HCO-95701-06014-09	E-5-21	HP8A-91308-A01	E-3-45	HS0A-91541-003	E-3-50
H921-90302-000	FOP-7-1-16	HCO-95701-06018-09	E-5-22	HP8A-91309-A01	E-3-47	HS0A-91541-003	E-13-10-11
H921-90504-010	F-8-14	HCO-95701-08030-09	E-5-23	HP8D-36165-J00	E-14-10-11	HS0A-91541-003	F-2-41
H921-90504-010	FOP-1-6-59	HCO-95701-10070-09	E-6-20-11	HP8E-14762-A01	E-9-10-14	HS0A-91541-003	F-7-10-24
H921-90511-000	F-10-60	HCO-95701-12120-09	E-6-20-12	HP8E-17105-A01	E-14-15	HS0A-91541-003	F-8-10-37
H921-90512-010	FOP-1-6-60	HCO-96211-07000	F-5-32	HP8F-14820-A01	E-9-10	HS0X-46392-A01	F-2-21
H921-90518-000	F-8-10-35	HCO-96211-07000	F-5-1-35	HPC6-15233-000	F-5-10	HS0A-90683-003	E-18-1-31
H921-90518-000	FOP-1-6-61	HCO-96211-12000	F-5-33	HPC6-91324-000	E-5-18	HS0A-90683-003	E-20-10-10
H921-90602-000	E-18-1-27	HCO-96211-12000	F-5-1-36	HPD1-31138-004	E-19-5	HS0A-90683-003	F-3-20-49
H921-90602-000	F-10-65	HCO-96220-50080	E-5-24	HPD1-31142-004	E-19-7	HSB0-90602-003	F-11-37
HP52-32901-770	FOP-1-6-37	HCO-9807B-5617C	E-20-3	HPD1-31145-004	E-19-8	HSB2-90620-003	F-7-10-20
HP52-32901-770	FOP-13-4	HCO-98200-41000	F-7-20-9	HPD1-90231-014	E-19-26	HSB2-90620-003	F-7-10-20
HP58-90428-000	F-2-30	HCO-98200-41500	F-7-20-10	HPD6-90430-003	E-18-53	HSB2-90650-003	E-14-26
HCO-92101-05016-4J	FOP-1-6-69	HCO-98200-43000	F-7-20-11	HPE0-15231-000	E-5-8	HSB6-91475-000	FOP-1-6-66
HCO-92101-06055-4J	F-3-26	HCO-99003-30000	F-13-15	HPEA-13111-000	E-7-3	HSC2-90649-003	FOP-7-20
HCO-93500-05010-4J	FOP-1-6-70	HCO-99003-50000	F-13-16	HPF0-91302-003	F-2-40	HSC2-90649-003	FOP-7-1-17
HCO-93500-05016-4J	E-3-51	HCO-99006-19000	F-13-12	HPG4-91033-013	F-5-1-25	HSD2-90705-931	F-2-35
HCO-93500-05020-4J	E-3-52	HCO-99008-02000	F-13-13	HPG6-15232-000	E-5-9	HSD4-91356-952	E-4-25
HCO-93500-05065-4J	FOP-1-34	HGCF-80106-670	F-8-20-3	HPG7-16741-005	E-14-7	HSD9-54316-013	E-1-15
HCO-93500-05065-4J	FOP-1-2-39	HGH8-16163-600	E-18-1-1	HPGK-37835-A01	E-14-10-13	HSDA-39794-004	F-7-20-5
HCO-93500-06018-4J	E-4-26	HGH8-16163-610	E-6-10-1	HPH1-90015-013	E-3-10-7	HSE0-53740-953	E-1-14
HCO-93500-06025-4J	F-3-20-40	HHA0-90402-000	F-2-29	HPH7-900715-000	E-3-41	HSF4-89216-000	F-13-6
HCO-93600-06016-0A	E-5-19	HHE0-50310-003	E-1-13	HPJ7-12204-305	E-9-2	HSJ6-78419-003	E-14-18
HCO-93901-250J0	FOP-1-6-71	HHW1-90207-671	E-6-10-31	HPJ7-12205-305	E-9-3	HSK7-91566-003	E-1-28
HCO-93901-251J0	FOP-1-6-72	HHW1-90215-671	F-4-18	HPK1-91308-003	E-3-46	HSLO-91592-A51	E-18-10-22
HCO-93901-252J0	FOP-1-6-73	HKE8-17251-690	F-8-1	HPLC-91301-000	E-14-28	HSOA-91541-003	F-7-5
HCO-93903-262J0	FOP-1-6-74	HKG4-90659-000	E-18-1-30	HPM3-14775-000	E-9-10-16	HSTK-91540-003	FOP-10-3
HCO-93905-255J0	FOP-1-6-75	HKM3-32161-003	F-10-6	HPM4-36145-004	E-14-10-9	HVM0-16965-771	E-18-10-10
HCO-93911-141J0	F-8-17	HKM3-32161-003	F-10-76	HPNA-91214-014	E-3-43	HZA0-90684-601	F-8-10-36
HCO-94001-05490-05	FOP-1-35	HKN5-17224-670	F-2-1	HPNA-91302-003	E-14-29	HZB7-90691-003	E-1-23
HCO-94001-05490-05	FOP-1-2-40	HKT7-91305-003	E-1-24	HPNA-91307-003	E-3-44	HZB7-90691-003	E-18-54
HCO-94001-06080-05	E-19-27	HKV6-90651-003	F-7-10-20	HPNA-91307-003	E-4-24	HZC0-63515-700	F-8-10-24
HCO-94001-06490-05	FOP-1-6-76	HKY7-17450-740	E-18-10-11	HPP4-90009-E01	E-18-46	HZE2-90601-000	E-6-13
HCO-94001-12490-05	F-10-72	HMB1-90655-921	E-18-10-21	HPR3-91319-003	E-3-48	HZV0-41122-000	E-13-19
HCO-94002-05490-05	FOP-1-6-77	HMG9-17201-000	E-14-10-7	HPR7-31105-A01	E-19-1	HZV0-90604-000	E-1-22
HCO-94002-06490-05	F-8-18	HMG9-35701-950	F-11-3	HPR7-36361-A01	E-18-43	HZV0-90604-000	E-18-1-28
HCO-94103-05400	FOP-6-4	HMG9-35701-950	FOP-1-6-40	HPT0-14744-004	E-9-10-12	HZV0-90604-000	E-18-10-20
HCO-94103-05400	FOP-7-21	HMJ0-91301-003	E-14-27	HPT0-31111-003	E-19-2	HZV1-24210-010	F-10-4
HCO-94103-05400	FOP-7-1-18	HMJ0-91301-003	E-18-55	HPT0-31114-013	E-19-3	HZV1-24210-010	F-12-8
HCO-94111-05400	FOP-6-5	HMJ0-91308-003	F-4-29	HPT0-31118-003	E-19-4	HZV4-12155-A00	E-3-4
HCO-94111-05400	FOP-7-22	HMJ0-91308-003	FOP-12-7	HPT0-31146-003	E-19-9	HZV4-17704-010	F-8-20-4
HCO-94111-05400	FOP-7-1-19	HML0-90101-720	F-8-10-28	HPT0-31147-003	E-19-11	HZV4-24221-010	F-10-5
HCO-94301-06100	E-3-53	HMM4-90105-000	FOP-1-6-51	HPT0-31148-003	E-19-13	HZV4-36182-651	FOP-1-6-42
HCO-94301-06100	E-13-30	HMM8-90502-610	F-8-10-32	HPT0-90005-003	E-9-11	HZV4-36182-651	FOP-1-7-38
HCO-94301-06100	E-15-28	HMR5-16966-000	F-8-20-5	HPT0-90206-004	E-9-10-20		

HZV4-36182-651.FOP-7-1-9
HZV4-36187-652.FOP-1-6-43
HZV4-36187-652.FOP-7-12
HZV4-36187-652.FOP-7-1-10
HZV4-90127-000.E-6-10
HZV4-90127-000.F-2-27
HZV4-90302-000.F-3-19
HZV4-90304-000.FOP-1-6-55
HZV4-90502-000.FOP-1-31
HZV4-90502-000.FOP-1-2-36
HZV4-90502-000.FOP-1-6-58
HZV4-90506-000.F-2-31
HZV4-90512-000.F-2-34
HZV4-90512-000.F-10-61
HZV4-90514-000.F-10-62
HZV4-90603-000.E-6-10-32
HZV4-90605-000.E-6-10-33
HZV4-90605-000.E-18-1-29
HZV4-90605-000.F-3-20-47
HZV5-12155-000.E-4-1
HZV5-12214-000.E-3-8
HZV5-12214-000.E-3-10-3
HZV5-24811-010.FOP-1-6-2
HZV5-24812-000.FOP-1-6-3
HZV5-24813-000.FOP-1-6-4
HZV5-24814-010.FOP-1-6-5
HZV5-24815-010.FOP-1-6-6
HZV5-24816-000.FOP-1-6-7
HZV5-24817-000.FOP-1-6-8
HZV5-24818-003.FOP-1-6-9
HZV5-24820-010.FOP-1-6-10
HZV5-24830-010.FOP-1-6-11
HZV5-24836-000.FOP-1-6-12
HZV5-24841-000.FOP-1-6-13
HZV5-24845-000.FOP-1-6-14
HZV5-24850-000.FOP-1-6-15
HZV5-24854-000.FOP-1-6-16
HZV5-24855-000.FOP-1-6-17
HZV5-24860-000.FOP-1-6-18
HZV5-24865-000.FOP-1-6-19
HZV5-24875-000.FOP-1-6-20
HZV5-24876-000.FOP-1-6-21
HZV5-24878-000.FOP-1-6-22
HZV5-24881-000.FOP-1-6-23
HZV5-24883-000.FOP-1-6-24
HZV5-24884-000.FOP-1-6-25
HZV5-24885-000.FOP-1-6-26
HZV5-24887-000.FOP-1-6-27
HZV5-24891-000.FOP-1-6-28
HZV5-24892-000.FOP-1-6-29
HZV5-24894-000.FOP-1-6-30
HZV5-24895-000.FOP-1-6-31
HZV5-24897-000.FOP-1-6-32
HZV5-24898-000.FOP-1-6-33
HZV5-32823-003.FOP-1-6-35
HZV5-32823-003.FOP-1-7-31
HZV5-32823-003.FOP-7-7
HZV5-32823-003.FOP-7-1-5
HZV5-32824-003.FOP-1-6-36
HZV5-32824-003.FOP-1-7-32
HZV5-32824-003.FOP-7-8
HZV5-32824-003.FOP-7-1-6
HZV5-35370-823.FOP-1-6-39
HZV5-36136-821.F-11-9
HZV5-36180-033.FOP-1-6-41
HZV5-36180-033.FOP-1-7-37
HZV5-36180-033.FOP-7-10
HZV5-36180-033.FOP-7-1-8
HZV5-38410-003.FOP-1-6-46
HZV5-38410-003.FOP-1-7-41
HZV5-38410-003.FOP-7-16
HZV5-38410-003.FOP-7-1-13
HZV5-40102-000.E-15-18
HZV5-40107-000.F-3-20-7
HZV5-41171-000.F-10-10
HZV5-41172-000.F-10-11
HZV5-50214-003.F-11-12
HZV5-56117-821.F-11-20
HZV5-56118-820.F-11-21
HZV5-56513-000.F-11-27
HZV5-82873-003.F-3-20-30
HZV5-90009-000.E-6-8
HZV5-90009-000.F-8-10-26
HZV5-90012-013.E-13-21
HZV5-90081-010.E-3-39
HZV5-90081-010.E-3-10-12
HZV5-90081-010.E-5-25
HZV5-90110-000.F-3-20-34
HZV5-90119-000.F-10-44
HZV5-90119-000.F-10-77
HZV5-90119-000.F-11-35
HZV5-90125-000.FOP-1-6-53
HZV5-90127-003.F-10-45
HZV5-90127-003.F-11-36
HZV5-90131-000.E-6-11
HZV5-90302-003.F-2-28
HZV5-90304-013.F-10-49
HZV5-90306-003.F-3-20
HZV5-90307-003.F-10-52
HZV5-90501-000.F-10-53
HZV5-90502-000.F-10-55
HZV5-90504-000.F-10-56
HZV5-90552-000.F-10-63
HZV5-90557-000.FOP-1-6-62
HZV5-90559-000.E-6-20-7
HZV5-90559-000.F-3-22
HZV5-90559-000.F-3-20-45
HZV5-90559-000.F-5-20
HZV5-90559-000.F-5-1-22
HZV5-90559-000.F-10-64
HZV5-90563-000.E-6-20-8
HZV5-90563-000.F-3-23
HZV5-90563-000.F-3-20-46
HZV5-90651-000.F-10-66
HZV5-90751-000.FOP-1-6-63
HZV5-90756-000.F-3-24
HZV5-90756-000.F-3-24
HZV5-90756-000.F-3-20-50
HZV5-90756-000.F-4-24
HZV5-90772-000.FOP-1-6-64
HZV5-91151-000.FOP-1-6-65
HZV5-91203-821.F-11-39
HZV5-91256-003.F-10-69
HZV5-91302-821.F-11-41
HZV5-91316-821.F-11-42
HZV5-91352-000.F-10-70
HZV5-91553-010.E-15-26
HZV5-91553-010.E-20-5
HZV5-91553-010.E-20-10-11
HZV5-91553-010.F-7-10-25
HZV5-91563-000.F-3-20-53
HZV5-91567-000.FOP-1-6-67
HZV5-91570-000.FOP-1-6-68
HZV7-90508-000.F-2-32
HZV7-90951-010.F-10-68
HZW1-06411-020.F-10-1
HZW1-15631-000.E-3-10-6
HZW1-19286-800.F-3-1
HZW1-24210-010.F-2-5
HZW1-24327-000.F-2-7
HZW1-24343-802.F-4-12
HZW1-24629-000.F-2-17
HZW1-31226-004.E-21-8
HZW1-31229-004.E-21-8
HZW1-31231-004.E-21-9
HZW1-36104-003.F-11-4
HZW1-38551-000.F-7-10-10
HZW1-40107-700.F-11-10
HZW1-40209-000.F-3-20-11
HZW1-41102-800.F-3-4
HZW1-41109-800.F-3-9
HZW1-56110-701.F-11-15
HZW1-56113-701.F-11-16
HZW1-56116-701.F-11-19
HZW1-56130-702.F-11-24
HZW1-56180-701.F-11-26
HZW1-56539-000.F-10-33
HZW1-56539-000.F-10-33
HZW1-56851-703.F-11-29
HZW1-56860-701.F-11-30
HZW1-90013-000.E-15-19
HZW1-90013-000.F-7-10-13
HZW1-90014-000.E-18-47
HZW1-90102-000.F-10-36
HZW1-90106-004.E-21-21
HZW1-90107-004.E-21-22
HZW1-90108-000.F-10-41
HZW1-90113-702.F-11-31
HZW1-90114-702.F-11-32
HZW1-90115-702.F-11-33
HZW1-90116-702.F-11-34
HZW1-90203-000.F-7-10-17
HZW1-90301-800.F-5-14
HZW1-90301-800.F-5-1-14
HZW1-90304-013.F-10-50
HZW1-90308-003.F-3-21
HZW1-90401-000.E-6-12
HZW1-90652-702.F-11-38
HZW1-90758-800.F-5-22
HZW1-90758-800.F-5-1-23
HZW1-90758-800.FOP-12-2
HZW1-91207-013.F-11-40
HZW1-91352-702.F-11-43
HZW1-91353-703.F-11-44
HZW1-91354-701.F-11-45
HZW1-91355-701.F-11-46
HZW1-91357-701.F-11-47
HZW1-91358-701.F-11-48
HZW1-91361-701.F-11-49
HZW1-91554-000.E-18-56
HZW1-91554-000.F-8-10-38
HZW1-91557-701.F-11-50
HZW2-90003-000.E-20-10-7
HZW2-90003-000.F-7-10-12
HZW4-90108-000.FOP-1-6-52
HZW4-90126-000.E-1-19
HZW4-90147-000.E-3-10-14
HZW4-90151-000.E-3-10-15
HZW4-90155-000.E-4-19
HZW4-90156-000.E-3-40
HZW4-90156-000.E-14-10-18
HZW4-90306-003.F-10-51
HZW4-90401-000.FOP-1-6-56
HZW4-90402-000.FOP-1-6-57
HZW4-91301-003.F-3-25
HZW4-91301-003.FOP-12-6
HZW5-06241-U00.FOP-1-2
HZW5-06241-U10.FOP-1-2-2
HZW5-06352-U01.FOP-6-1
HZW5-06900-U00.FOP-5-1
HZW5-16081-010.E-18-20
HZW5-16086-000.E-18-23
HZW5-16087-000.E-18-24
HZW5-16715-023.E-18-29
HZW5-16733-000.E-18-34
HZW5-16915-000.E-18-10-9
HZW5-19291-000.E-6-10-9
HZW5-19292-000.E-6-10-11
HZW5-19297-000.E-6-10-15
HZW5-24810-U01.FOP-1-3
HZW5-24810-U01.FOP-1-2-3
HZW5-24810-U11.FOP-1-2-4
HZW5-24811-U01.FOP-1-4
HZW5-24811-U01.FOP-1-2-5
HZW5-24812-U01.FOP-1-5
HZW5-24812-U01.FOP-1-2-6
HZW5-24813-U01.FOP-1-6
HZW5-24813-U01.FOP-1-2-7
HZW5-24813-U21.FOP-1-2-8
HZW5-24814-U01.FOP-1-7
HZW5-24814-U01.FOP-1-2-9
HZW5-24815-U01.FOP-1-8
HZW5-24816-U01.FOP-1-9
HZW5-24816-U01.FOP-1-2-10
HZW5-24816-U01.FOP-1-4-8
HZW5-24817-U01.FOP-1-10
HZW5-24817-U01.FOP-1-2-11
HZW5-24818-U01.FOP-1-11
HZW5-24818-U01.FOP-1-2-12
HZW5-24819-U01.FOP-1-12
HZW5-24819-U01.FOP-1-2-13
HZW5-24825-U01.FOP-1-14
HZW5-24825-U01.FOP-1-2-15
HZW5-24826-U01.FOP-1-15
HZW5-24826-U01.FOP-1-2-16
HZW5-24826-U01.FOP-1-4-10
HZW5-24831-U01.FOP-1-16
HZW5-24831-U01.FOP-1-2-17
HZW5-24831-U01.FOP-1-4-12
HZW5-24832-U01.FOP-1-17
HZW5-24832-U01.FOP-1-2-18
HZW5-24832-U01.FOP-1-4-13
HZW5-24834-U01.FOP-1-18
HZW5-24834-U21.FOP-1-2-19
HZW5-32168-003.E-18-42
HZW5-35370-U02.FOP-1-20
HZW5-35370-U02.FOP-1-2-22
HZW5-35370-U12.FOP-1-2-23
HZW5-35665-003.E-15-16
HZW5-90002-013.E-5-14
HZW5-90011-010.E-19-22
HZW5-90018-000.E-20-10-9
HZW5-90018-000.F-7-20-7
HZW5-90021-U00.FOP-5-2
HZW5-90023-000.F-2-24
HZW5-90101-U00.FOP-1-22
HZW5-90101-U00.FOP-1-2-25
HZW5-90101-U00.FOP-1-4-20
HZW5-90102-U00.FOP-1-23
HZW5-90102-U00.FOP-1-2-26
HZW5-90103-U01.FOP-1-24
HZW5-90103-U01.FOP-1-2-27
HZW5-90104-U00.FOP-1-25
HZW5-90104-U00.FOP-1-2-28
HZW5-90105-U01.FOP-1-26
HZW5-90105-U01.FOP-1-29
HZW5-90106-U00.FOP-1-27
HZW5-90106-U00.FOP-1-2-30
HZW5-90107-U00.FOP-1-28
HZW5-90107-U00.FOP-1-2-31
HZW5-90108-U00.FOP-1-2-32
HZW5-90109-000.FOP-6-3
HZW5-90109-000.FOP-7-18
HZW5-90109-000.FOP-7-1-15
HZW5-90203-010.E-19-25
HZW5-90301-U00.FOP-1-29
HZW5-90301-U00.FOP-1-2-33
HZW5-90302-003.F-10-48
HZW5-90302-U21.FOP-1-2-34
HZW5-90501-U00.FOP-1-30
HZW5-90501-U00.FOP-1-2-35
HZW5-90501-U00.FOP-1-4-26
HZW5-90502-U00.FOP-1-32
HZW5-90502-U00.FOP-1-2-37
HZW5-90503-U00.FOP-1-33
HZW5-90503-U00.FOP-1-2-38
HZW5-90509-711.F-5-16
HZW5-90509-711.F-5-1-16
HZW5-90511-U00.FOP-5-3
HZW5-90512-U00.FOP-5-4
HZW5-90601-030.E-18-10-19
HZW5-91201-003.E-5-16
HZW5-91202-003.E-6-10-35
HZW5-91251-003.F-2-38
HZW7-24810-U01.FOP-1-4-2
HZW7-24811-U01.FOP-1-4-3
HZW7-24812-U01.FOP-1-4-4
HZW7-24813-U01.FOP-1-4-5
HZW7-24814-U01.FOP-1-4-6
HZW7-24815-U01.FOP-1-4-7
HZW7-24817-U01.FOP-1-4-9
HZW7-24832-U01.FOP-1-4-14
HZW7-24833-U01.FOP-1-4-15
HZW7-32530-U00.FOP-1-19
HZW7-32530-U00.FOP-1-2-20
HZW7-32530-U10.FOP-1-2-21
HZW7-32530-U20.FOP-1-4-16
HZW7-35370-U02.FOP-1-4-17
HZW7-87703-U00.FOP-1-4-19
HZW7-90101-U01.FOP-1-4-21
HZW7-90102-U01.FOP-1-4-22
HZW7-90103-U01.FOP-1-4-23
HZW7-90104-U01.FOP-1-4-24
HZW7-90301-U01.FOP-1-4-25
HZW7-90502-U00.FOP-1-4-27
HZW9-19279-000.E-6-10-8
HZW9-19291-000.E-6-10-10
HZW9-19297-000.E-6-10-16
HZW9-32114-730.E-1-11
HZW9-32114-730.E-3-21
HZW9-35490-003.E-3-24
HZW9-87702-800.FOP-1-6-49

HWZ9-90005-000 F-10-34
 HWZ9-90008-000 FOP-1-6-50
 HWZ9-90009-000 F-10-35
 HWZ9-90011-000 E-1-16
 HWZ9-90011-000 E-13-20
 HWZ9-90011-000 F-2-22
 HWZ9-90013-000 F-7-3
 HWZ9-90013-000 F-7-10-14
 HWZ9-90014-000 E-18-1-25
 HWZ9-90014-000 E-20-10-8
 HWZ9-90014-000 F-7-10-15
 HWZ9-90016-000 E-14-19
 HWZ9-90016-000 E-18-48
 HWZ9-90019-000 E-1-17
 HWZ9-90019-000 E-3-34
 HWZ9-90019-000 E-4-16
 HWZ9-90019-000 E-14-20
 HWZ9-90101-003 F-3-10
 HWZ9-90102-000 F-2-26
 HWZ9-90102-000 F-8-10-29
 HWZ9-90103-010 F-10-37
 HWZ9-90105-000 F-8-11
 HWZ9-90105-000 F-8-10-30
 HWZ9-90105-000 F-10-40
 HWZ9-90506-000 F-8-10-34
 HZX1-90133-R00 F-8-13
 HZX2-06125-C00 FOP-12-1
 HZX2-06131-000 E-7-16
 HZX2-06192-C00 F-4-35
 HZX2-06193-C00 F-4-36
 HZX2-11381-003 E-6-2
 HZX2-11911-000 E-3-10-2
 HZX2-12000-405ZA E-3-3
 HZX2-13010-000 E-7-1
 HZX2-13011-000 E-7-1
 HZX2-13101-000 E-7-2
 HZX2-13102-000 E-7-2
 HZX2-13321-003 E-7-10
 HZX2-13322-003 E-7-10
 HZX2-13323-003 E-7-10
 HZX2-13324-003 E-7-10
 HZX2-13325-003 E-7-10
 HZX2-13326-003 E-7-10
 HZX2-13341-003 E-7-12
 HZX2-13342-003 E-7-12
 HZX2-13343-003 E-7-12
 HZX2-13344-003 E-7-12
 HZX2-13345-003 E-7-12
 HZX2-13346-003 E-7-12
 HZX2-13392-000 E-7-14
 HZX2-13811-000 E-13-3
 HZX2-14111-000 E-9-10-1
 HZX2-14211-000 E-9-10-2
 HZX2-14526-405ZA E-13-10
 HZX2-15655-000 E-3-15
 HZX2-16020-003 E-18-4
 HZX2-16024-003 E-18-1-34
 HZX2-16030-003 E-18-7
 HZX2-16404-000 E-15-4
 HZX2-16700-003 E-1-7
 HZX2-16701-003 E-18-27
 HZX2-16730-003 E-18-33
 HZX2-16800-003 E-18-1-4
 HZX2-16805-003 E-18-1-5
 HZX2-16814-000 E-18-1-7
 HZX2-16850-C00 F-8-20-1
 HZX2-16860-C00 E-18-1-8
 HZX2-16870-C00 E-1-8
 HZX2-16880-C00 E-18-1-9
 HZX2-16890-C00 E-18-1-10
 HZX2-16900-003 E-18-1-11
 HZX2-16912-003 E-18-1-16
 HZX2-16914-000 E-18-1-17
 HZX2-16940-003 E-18-1-24
 HZX2-17374-000 E-15-9
 HZX2-19234-C00 F-4-5
 HZX2-19241-C00 F-4-6
 HZX2-19300-003 E-4-10
 HZX2-19303-003 E-4-11
 HZX2-19313-000ZA E-4-12
 HZX2-19315-000ZA E-4-13
 HZX2-19511-000 E-13-16
 HZX2-19540-010 E-15-29
 HZX2-24101-C00 F-5-1
 HZX2-24101-C00 F-5-1-1
 HZX2-30280-003 F-11-1
 HZX2-30416-000 E-20-10-1
 HZX2-30520-003 E-20-2
 HZX2-31106-003 F-11-2
 HZX2-31110-000ZA E-5-11
 HZX2-31916-003 E-20-3
 HZX2-32100-010 F-7-1
 HZX2-32166-003 E-18-41
 HZX2-32370-004 F-7-20-1
 HZX2-32410-000 F-7-10-3
 HZX2-32414-300 F-7-10-5
 HZX2-32415-000 F-7-10-7
 HZX2-32435-000 F-7-10-8
 HZX2-34750-023 E-20-10-4
 HZX2-34750-043 E-20-10-4
 HZX2-35470-013 F-2-18
 HZX2-36120-013 F-11-5
 HZX2-36122-003 F-11-6
 HZX2-36129-003 F-11-8
 HZX2-38228-003 F-7-20-3
 HZX2-38550-003 F-7-10-9
 HZX2-38552-000 F-7-10-11
 HZX2-41100-C01ZC F-3-10-1
 HZX2-41100-C11ZC F-3-10-1
 HZX2-41100-C21ZC F-3-10-1
 HZX2-41100-E01ZC F-3-10-1
 HZX2-41100-E11ZC F-3-10-1
 HZX2-41101-C01ZC F-3-3
 HZX2-41102-E00ZC F-3-5
 HZX2-41107-C00ZC F-3-8
 HZX2-41110-305ZB F-3-27
 HZX2-41112-C00 F-4-14
 HZX2-41112-C10 F-4-14
 HZX2-41112-C20 F-4-14
 HZX2-41131-C00 F-4-16
 HZX2-41131-E00 F-4-16
 HZX2-41140-C00 F-5-8
 HZX2-41141-E00 F-5-1-8
 HZX2-41150-E00 F-5-1-9
 HZX2-41151-C00 F-5-9
 HZX2-41161-C00 F-5-10
 HZX2-41161-E00 F-5-1-10
 HZX2-41200-E00 F-5-1-37
 HZX2-41201-C00ZC F-5-1-11
 HZX2-41201-C00ZC F-5-1-11
 HZX2-41202-C00 F-5-12
 HZX2-56000-023 F-11-13
 HZX2-56532-C00 F-11-28
 HZX2-58130-T01 FOP-8-1
 HZX2-58130-T11 FOP-8-1
 HZX2-58130-T21 FOP-8-1
 HZX2-58130-T31 FOP-8-1
 HZX2-58130-T41 FOP-8-1
 HZX2-58130-T51 FOP-8-1
 HZX2-58130-T61 FOP-8-1
 HZX2-58180-T01 FOP-8-1
 HZX2-58180-T11 FOP-8-1
 HZX2-58180-T21 FOP-8-1
 HZX2-58180-T31 FOP-8-1
 HZX2-58180-T41 FOP-8-1
 HZX2-58180-T51 FOP-8-1
 HZX2-58180-T61 FOP-8-1
 HZX2-63100-R00ZA F-8-2
 HZX2-63100-R01ZA F-8-2
 HZX2-63111-C00ZB F-8-6
 HZX2-63119-C00 F-8-7
 HZX2-63260-C00 F-8-10-23
 HZX2-63710-C00ZB F-3-20-20
 HZX2-63710-C00ZB F-3-20-20
 HZX2-63710-C01ZB F-3-20-20
 HZX2-63715-C00ZB F-3-20-21
 HZX2-63715-C00ZB F-3-20-21
 HZX2-63715-C01ZB F-3-20-21
 HZX2-63719-C00 F-3-20-23
 HZX2-87117-C00 F-12-2
 HZX2-87121-R00 F-12-3
 HZX2-90001-000 E-5-13
 HZX2-90002-000 E-19-21
 HZX2-90101-C00 F-2-25
 HZX2-90102-C00 F-3-20-31
 HZX2-90105-C00 F-4-17
 HZX2-90107-C00 F-3-13
 HZX2-90129-000 F-10-46
 HZX2-90301-C00 F-4-19
 HZX2-90303-C00 F-4-20
 HZX2-90502-003 F-8-10-33
 HZX2-90504-C00 F-10-57
 HZX2-90506-C00 F-5-15
 HZX2-90506-C00 F-5-1-15
 HZX2-90512-C00 F-5-17
 HZX2-90512-C00 F-5-1-17
 HZX2-90518-C00 F-4-22
 HZX2-90519-C00 F-4-22
 HZX2-90520-C00 F-4-22
 HZX2-90521-C00 F-4-22
 HZX2-90528-C00 F-5-18
 HZX2-90528-C00 F-5-1-18
 HZX2-90528-E00 F-5-1-19
 HZX2-90529-C00 F-5-18
 HZX2-90529-E00 F-5-1-19
 HZX2-90530-C00 F-5-18
 HZX2-90530-E00 F-5-1-19
 HZX2-90531-C00 F-5-18
 HZX2-90531-C00 F-5-1-18
 HZX2-90531-E00 F-5-1-19
 HZX2-90541-E01 F-5-1-20
 HZX2-90542-E01 F-5-1-21
 HZX2-90651-C00 F-5-21
 HZX2-90683-003 E-18-1-32
 HZX2-90683-003 F-7-10-22
 HZX2-91051-C01 F-5-24
 HZX2-91053-C01 F-4-25
 HZX2-91054-E01 F-5-1-27
 HZX2-91055-C01 F-5-25
 HZX2-91055-C01 F-5-1-28
 HZX2-91056-C01 F-4-26
 HZX2-91351-C00 F-5-30
 HZX2-91351-C00 F-5-1-33
 HZX2-91351-C00 FOP-12-8
 HZX2-91358-C00 F-4-31
 HZX2-91359-C00 F-4-32
 HZY1-90205-000 F-3-18
 HZY1-90205-000 F-10-47
 HZY1-90650-003 FOP-10-2
 HZY2-87132-R00 F-12-4
 HZY2-87133-R00 F-12-11
 HZY3-06412-000 F-10-2
 HZY3-06532-U00 F-10-3
 HZY3-11100-415 E-3-10-1
 HZY3-11200-010ZA E-3-1
 HZY3-11300-C00 E-3-2
 HZY3-11311-010ZA E-6-1
 HZY3-11820-000 E-13-10-2
 HZY3-11840-010 E-13-10-3
 HZY3-11861-000 E-13-10-4
 HZY3-11871-000 E-13-10-5
 HZY3-11911-010 E-9-1
 HZY3-12155-000 E-3-5
 HZY3-12164-000 E-3-6
 HZY3-12171-305 E-3-7
 HZY3-12210-010ZA E-9-5
 HZY3-12231-000 E-9-7
 HZY3-12241-000 E-9-8
 HZY3-12251-A01 E-9-9
 HZY3-12310-405ZA E-1-1
 HZY3-12312-000 E-1-2
 HZY3-12320-405ZA E-1-3
 HZY3-13331-A04 E-7-11
 HZY3-13391-000 E-7-13
 HZY3-13398-003 E-7-15
 HZY3-13621-C01 E-13-1
 HZY3-13622-C00 E-13-2
 HZY3-14261-C00 E-13-4
 HZY3-14270-C00 E-13-5
 HZY3-14436-000 E-9-10-3
 HZY3-14510-003 E-13-7
 HZY3-14515-000 E-13-8
 HZY3-14520-000 E-13-9
 HZY3-14529-000 E-13-11
 HZY3-14550-003 E-13-12
 HZY3-14553-003 E-13-14
 HZY3-14555-003 E-13-15
 HZY3-15100-000ZA E-5-1
 HZY3-15112-013 E-5-2
 HZY3-15113-000 E-5-3
 HZY3-15121-000 E-5-4
 HZY3-15131-405 E-5-5
 HZY3-15132-405 E-5-6
 HZY3-15220-020 E-5-7
 HZY3-15425-010 E-1-5
 HZY3-15656-000 E-3-16
 HZY3-15657-000 E-3-17
 HZY3-15810-003ZA E-3-18
 HZY3-15825-003 E-3-19
 HZY3-16011-A01 E-18-1
 HZY3-16013-000 E-18-2
 HZY3-16015-000 E-18-3
 HZY3-16016-003 E-15-1
 HZY3-16024-000 E-18-5
 HZY3-16026-000 E-18-6
 HZY3-16031-010 E-18-8
 HZY3-16036-003 E-18-9
 HZY3-16041-000 E-18-10
 HZY3-16042-000 E-18-11
 HZY3-16061-000 E-18-12
 HZY3-16072-000 E-18-13
 HZY3-16073-000 E-18-14
 HZY3-16074-000 E-18-15
 HZY3-16075-000 E-18-16
 HZY3-16076-000 E-18-17
 HZY3-16077-000 E-18-18
 HZY3-16078-000 E-18-19
 HZY3-16082-000 E-18-21
 HZY3-16083-000 E-18-22
 HZY3-16087-000 E-18-25
 HZY3-16088-000 E-18-26
 HZY3-16176-000 E-15-2
 HZY3-16193-A00 E-18-10-2
 HZY3-16196-A00 E-18-10-3
 HZY3-16197-000 E-18-10-4
 HZY3-16198-A00 E-18-10-5
 HZY3-16199-A00 E-18-10-6
 HZY3-16203-000 E-1-6
 HZY3-16400-A01 E-15-3
 HZY3-16405-000 E-15-5
 HZY3-16451-000 E-14-2
 HZY3-16611-A00 E-14-3
 HZY3-16620-A00 E-14-5
 HZY3-16708-000 E-18-28
 HZY3-16721-000 E-18-31
 HZY3-16733-000 E-18-35
 HZY3-16734-000 E-18-36
 HZY3-16735-004 E-18-37
 HZY3-16740-A01 E-14-6
 HZY3-16751-000 E-18-10-7
 HZY3-16752-000 E-18-38
 HZY3-16752-A00 E-14-8
 HZY3-16753-000 E-18-1-2
 HZY3-16754-000 E-18-1-3
 HZY3-16755-003 E-14-9
 HZY3-16757-003 E-14-10
 HZY3-16807-003 E-18-1-6
 HZY3-16895-C00 E-1-9
 HZY3-16904-003 E-18-1-14
 HZY3-16911-010 E-18-39
 HZY3-16913-000 E-18-40
 HZY3-16915-010 E-18-1-18
 HZY3-16918-003 E-18-1-20
 HZY3-16919-003 E-18-1-22
 HZY3-17051-A00 E-14-11
 HZY3-17061-A00 E-14-13
 HZY3-17105-004 E-14-10-1
 HZY3-17108-000 E-14-16
 HZY3-17109-004 E-14-10-2
 HZY3-17110-003 E-14-10-3
 HZY3-17113-003 E-14-10-4
 HZY3-17130-003ZA E-14-10-5
 HZY3-17138-004 E-14-10-6
 HZY3-17721-000 E-18-10-12
 HZY3-17723-A01 E-18-10-13
 HZY3-17724-010 E-18-10-14
 HZY3-17738-000 F-8-20-2
 HZY3-17877-000 F-2-2
 HZY3-17910-013 E-15-10

HZY3-17931-000.	F-2-3	HZY3-31246-003.	E-21-15	HZY3-50301-030ZC.	F-10-24	HZY3-90037-000.	E-15-23
HZY3-18110-010ZA.	E-4-2	HZY3-31247-003.	E-21-16	HZY3-50311-020ZC.	F-10-25	HZY3-90038-000.	E-3-38
HZY3-18115-003.	E-4-3	HZY3-31249-003.	E-21-17	HZY3-50381-000.	F-10-26	HZY3-90039-000.	E-13-26
HZY3-18120-C01ZA.	E-4-4	HZY3-31250-003.	E-21-18	HZY3-50388-U00.	FOP-9-1	HZY3-90040-000.	E-13-27
HZY3-18125-003.	E-4-5	HZY3-31251-003.	E-21-24	HZY3-50388-U10.	FOP-9-2	HZY3-90041-000.	E-3-10-10
HZY3-18141-A00ZA.	E-6-10-2	HZY3-31630-003.	E-19-14	HZY3-50522-000.	F-10-27	HZY3-90042-000.	E-14-22
HZY3-18148-003.	E-6-10-3	HZY3-31630-013.	E-19-14	HZY3-50527-000.	F-10-28	HZY3-90043-000.	E-14-23
HZY3-18149-A01.	E-6-10-4	HZY3-31631-003.	E-19-15	HZY3-50529-000.	F-10-29	HZY3-90044-000.	E-14-24
HZY3-18151-A00ZA.	E-6-10-5	HZY3-31637-000.	E-19-16	HZY3-56100-013.	F-11-14	HZY3-90045-000.	E-6-10-26
HZY3-18330-020.	E-6-3	HZY3-31638-003.	E-13-17	HZY3-56120-013.	F-11-53	HZY3-90046-000.	E-6-10-27
HZY3-18333-003.	E-6-4	HZY3-31639-003.	E-19-17	HZY3-56170-013.	F-11-25	HZY3-90047-000.	E-6-10-28
HZY3-18340-020.	E-6-5	HZY3-31694-003.	E-19-18	HZY3-56516-A00.	F-10-30	HZY3-90049-000.	E-6-10-29
HZY3-19210-003.	F-4-1	HZY3-31710-003.	E-19-19	HZY3-56518-A00.	F-10-31	HZY3-90050-000.	E-18-51
HZY3-19221-010.	F-4-2	HZY3-31750-003.	E-19-20	HZY3-56519-A00.	F-10-32	HZY3-90053-010.	E-6-9
HZY3-19223-000.	F-4-3	HZY3-32111-010.	E-13-18	HZY3-56532-000.	F-11-28	HZY3-90054-000.	E-18-52
HZY3-19231-000.	F-4-4	HZY3-32112-000.	E-14-17	HZY3-56532-000.	F-11-28	HZY3-90055-000.	E-19-24
HZY3-19251-000.	F-4-7	HZY3-32116-000.	E-3-22	HZY3-60180-C01.	F-8-10-12	HZY3-90056-000.	E-18-1-26
HZY3-19251-611.	F-4-7	HZY3-32128-000.	E-14-10-8	HZY3-60185-C01.	F-8-10-13	HZY3-90058-000.	E-14-10-17
HZY3-19251-621.	F-4-7	HZY3-32129-000.	E-1-12	HZY3-63102-010.	F-8-8	HZY3-90059-000.	E-6-10-30
HZY3-19252-000.	E-6-6	HZY3-32193-C00.	E-3-23	HZY3-63107-000.	F-8-4	HZY3-90063-000.	E-3-10-11
HZY3-19253-000.	F-4-8	HZY3-32411-003.	F-7-10-4	HZY3-63108-000.	F-8-5	HZY3-90082-003.	E-3-10-13
HZY3-19254-000.	E-6-7	HZY3-32419-A00.	F-8-10-1	HZY3-63201-000ZC.	F-8-10-14	HZY3-90102-A00.	F-3-20-32
HZY3-19255-000.	E-4-6	HZY3-32421-000.	F-8-10-2	HZY3-63205-000.	F-8-10-15	HZY3-90104-010.	F-10-39
HZY3-19256-010.	E-4-7	HZY3-34754-C00.	E-20-10-5	HZY3-63208-000.	F-8-10-16	HZY3-90105-010.	F-3-20-33
HZY3-19257-000.	E-4-8	HZY3-35476-010.	F-2-19	HZY3-63212-000.	F-8-10-17	HZY3-90106-A00.	F-8-10-31
HZY3-19258-010.	E-18-10-15	HZY3-35477-000.	F-2-20	HZY3-63223-000.	F-8-10-18	HZY3-90107-000.	F-7-10-16
HZY3-19259-000.	E-18-10-16	HZY3-35490-004.	E-3-25	HZY3-63224-000.	F-8-10-19	HZY3-90109-010.	F-8-12
HZY3-19261-000.	E-4-9	HZY3-35640-013.	F-3-20-5	HZY3-63225-000.	F-8-10-20	HZY3-90111-000.	F-3-20-35
HZY3-19270-000.	F-3-20-1	HZY3-35645-000.	F-3-20-6	HZY3-63226-000.	F-8-10-21	HZY3-90113-C00.	F-3-20-36
HZY3-19271-000.	F-3-20-2	HZY3-35655-C01.	E-4-14	HZY3-63230-C00.	F-8-10-22	HZY3-90117-000.	F-10-43
HZY3-19272-000.	F-3-20-3	HZY3-35660-003.	F-10-7	HZY3-63347-C00.	F-3-20-19	HZY3-90120-000.	F-3-14
HZY3-19277-000ZA.	E-6-10-6	HZY3-35673-003.	E-3-26	HZY3-63718-000.	F-3-20-22	HZY3-90122-000.	F-3-20-37
HZY3-19278-000.	E-6-10-7	HZY3-35673-003.	E-4-15	HZY3-63722-010ZC.	F-3-20-24	HZY3-90123-000.	F-5-13
HZY3-19289-000.	F-3-20-4	HZY3-35695-003.	E-13-10-6	HZY3-63728-000.	F-3-20-25	HZY3-90123-000.	F-5-1-13
HZY3-19294-000ZB.	E-6-10-12	HZY3-35700-003.	E-3-27	HZY3-63729-003.	F-8-10-25	HZY3-90124-000.	F-3-15
HZY3-19295-000.	E-6-10-13	HZY3-36123-013.	F-11-7	HZY3-63731-A03ZC.	F-3-20-26	HZY3-90129-A00.	F-3-20-38
HZY3-19296-000.	E-6-10-14	HZY3-36163-003.	E-14-10-10	HZY3-63731-A12ZC.	F-3-20-26	HZY3-90130-620.	F-3-16
HZY3-19297-000.	E-6-10-17	HZY3-36362-000.	E-18-44	HZY3-63736-A03ZC.	F-3-20-27	HZY3-90131-620.	F-3-17
HZY3-19298-000ZB.	E-6-10-18	HZY3-36550-003.	E-15-17	HZY3-63736-A12ZC.	F-3-20-27	HZY3-90132-000.	F-3-20-39
HZY3-19361-000.	E-6-10-19	HZY3-36620-000.	E-18-45	HZY3-63751-C00.	F-3-20-28	HZY3-90134-000.	F-3-20-40
HZY3-19362-000.	E-6-10-20	HZY3-40105-C01.	F-8-10-3	HZY3-63751-C00.	F-3-20-28	HZY3-90204-000.	E-3-10-16
HZY3-19366-000.	E-6-10-21	HZY3-40114-010.	F-3-20-8	HZY3-63751-C01.	F-3-20-56	HZY3-90205-000.	E-14-25
HZY3-23170-030ZA.	E-6-10-22	HZY3-40119-003.	F-8-10-4	HZY3-63756-C00.	F-3-20-29	HZY3-90205-000.	E-14-10-19
HZY3-23172-003.	E-6-20-1	HZY3-40151-000ZC.	F-3-20-9	HZY3-63756-C00.	F-3-20-29	HZY3-90302-000.	F-3-20-42
HZY3-23173-010.	E-6-10-23	HZY3-40154-000ZA.	F-8-10-5	HZY3-63756-C01.	F-3-20-57	HZY3-90304-000.	F-7-10-18
HZY3-24102-000.	F-5-2	HZY3-40155-000.	F-8-10-6	HZY3-90001-000.	E-3-28	HZY3-90405-000.	F-7-10-19
HZY3-24102-000.	F-5-1-2	HZY3-40157-000.	F-8-10-7	HZY3-90002-000.	E-21-19	HZY3-90406-000.	E-1-20
HZY3-24103-000.	F-5-3	HZY3-40158-000.	F-8-10-7	HZY3-90003-000.	E-21-20	HZY3-90501-A00.	F-10-54
HZY3-24103-000.	F-5-1-3	HZY3-40159-000.	F-8-10-9	HZY3-90006-003.	E-3-29	HZY3-90503-610.	F-3-20-43
HZY3-24113-A01.	F-5-4	HZY3-40201-020ZC.	F-3-20-10	HZY3-90007-000.	E-13-10-7	HZY3-90504-A00.	F-10-57
HZY3-24113-A01.	F-5-1-4	HZY3-40201-612ZC.	F-3-20-10	HZY3-90008-003.	E-3-30	HZY3-90504-A00.	F-10-57
HZY3-24122-A01.	F-5-5	HZY3-40202-621ZC.	F-3-2	HZY3-90009-003.	E-3-31	HZY3-90506-000.	F-5-15
HZY3-24122-A01.	F-5-1-5	HZY3-40204-000.	F-4-13	HZY3-90010-000.	E-6-20-3	HZY3-90506-000.	F-5-1-15
HZY3-24123-000.	F-5-6	HZY3-40210-610.	F-3-20-12	HZY3-90011-000.	E-6-20-4	HZY3-90507-000.	F-8-15
HZY3-24123-000.	F-5-1-6	HZY3-40212-010ZC.	F-3-20-13	HZY3-90013-000.	E-6-20-5	HZY3-90508-000.	E-15-24
HZY3-24124-310.	F-5-7	HZY3-40212-611ZC.	F-3-20-13	HZY3-90015-000.	E-6-20-6	HZY3-90508-000.	F-2-33
HZY3-24124-310.	F-5-1-7	HZY3-40219-013.	F-10-9	HZY3-90017-000.	E-3-33	HZY3-90509-000.	F-10-58
HZY3-24221-000.	F-2-6	HZY3-40219-013.	F-11-11	HZY3-90017-000.	E-13-23	HZY3-90510-000.	F-10-59
HZY3-24310-C00.	F-4-9	HZY3-40225-010.	F-3-20-14	HZY3-90017-000.	E-18-49	HZY3-90511-000.	F-3-20-44
HZY3-24310-E00.	F-4-9	HZY3-40225-010.	F-3-20-14	HZY3-90017-000.	E-19-23	HZY3-90512-000.	F-5-17
HZY3-24318-000.	F-4-10	HZY3-40226-010.	F-3-20-15	HZY3-90017-000.	F-2-23	HZY3-90512-000.	F-5-1-17
HZY3-24320-A20.	F-4-11	HZY3-40226-010.	F-3-20-15	HZY3-90018-000.	E-13-10-9	HZY3-90548-000.	F-5-19
HZY3-24610-A00.	F-2-8	HZY3-41104-C01.	F-3-6	HZY3-90021-000.	E-3-35	HZY3-90549-000.	F-5-19
HZY3-24612-010.	F-2-9	HZY3-41105-C01.	F-3-7	HZY3-90021-000.	E-14-21	HZY3-90550-000.	F-5-19
HZY3-24613-000.	F-2-10	HZY3-41116-000.	F-4-15	HZY3-90021-000.	E-18-50	HZY3-90551-000.	F-5-19
HZY3-24617-000.	F-2-11	HZY3-41179-A00.	F-10-12	HZY3-90021-000.	F-8-10-27	HZY3-90552-000.	F-5-19
HZY3-24618-000.	F-2-12	HZY3-50100-A01.	F-10-13	HZY3-90023-000.	E-14-10-14	HZY3-90553-000.	F-5-19
HZY3-24619-000.	F-2-13	HZY3-50100-A11.	F-10-13	HZY3-90026-000.	E-9-12	HZY3-90554-000.	F-5-19
HZY3-24620-000.	F-2-14	HZY3-50109-000.	F-10-14	HZY3-90027-000.	E-4-17	HZY3-90555-000.	F-5-19
HZY3-24623-000.	F-2-15	HZY3-50111-020.	F-3-20-16	HZY3-90028-000.	E-3-36	HZY3-90556-000.	F-5-19
HZY3-24628-000.	F-2-16	HZY3-50151-000.	F-10-15	HZY3-90029-000.	E-14-10-15	HZY3-90557-000.	F-5-19
HZY3-31116-000.	E-5-12	HZY3-50153-000.	F-10-16	HZY3-90030-000.	E-3-37	HZY3-90558-000.	F-5-19
HZY3-31200-003.	E-21-1	HZY3-50155-000.	F-3-20-17	HZY3-90030-000.	E-3-10-8	HZY3-90559-000.	F-5-19
HZY3-31207-003.	E-21-3	HZY3-50157-010.	F-3-20-18	HZY3-90030-000.	E-6-10-24	HZY3-90560-000.	F-5-19
HZY3-31216-003.	E-21-5	HZY3-50161-000ZD.	F-10-17	HZY3-90030-000.	E-13-24	HZY3-90601-030.	E-4-20
HZY3-31226-003.	E-21-7	HZY3-50161-610.	F-10-17	HZY3-90030-000.	E-15-21	HZY3-90601-030.	E-18-10-25
HZY3-31232-003.	E-21-9	HZY3-50166-000.	F-10-18	HZY3-90031-000.	E-3-10-9	HZY3-90602-020.	E-1-21
HZY3-31235-003.	E-21-10	HZY3-50168-000.	F-10-19	HZY3-90031-000.	E-6-10-25	HZY3-90603-020.	E-4-21
HZY3-31236-003.	E-21-11	HZY3-50201-C01ZD.	F-10-20	HZY3-90031-000.	E-14-10-16	HZY3-90604-020.	E-4-22
HZY3-31240-003.	E-21-12	HZY3-50201-C11ZC.	F-10-20	HZY3-90034-000.	E-4-18	HZY3-90652-000.	F-3-20-48
HZY3-31241-003.	E-21-12	HZY3-50209-A00.	F-10-21	HZY3-90034-000.	E-15-22	HZY3-90653-003.	F-7-4
HZY3-31242-003.	E-21-13	HZY3-50211-000.	F-10-22	HZY3-90035-000.	E-9-13	HZY3-90741-000.	E-13-29
HZY3-31243-003.	E-21-13	HZY3-50214-000.	F-10-23	HZY3-90036-000.	E-1-18	HZY3-90751-000.	F-2-36

HZY3-90752-003.	F-4-23	HZZ3-35100-R11	FOP-7-1-7	HZZ5-90302-D01	FOP-1-7-56
HZY3-91001-003.	E-6-10-34	HZZ3-35645-A41	FOP-1-7-35	HZZ5-90501-D01	FOP-1-7-57
HZY3-91056-711.	F-5-26	HZZ3-37205-R01	FOP-7-13	HZZ5-90502-D01	FOP-1-7-58
HZY3-91056-711.	F-5-1-29	HZZ3-87301-R00	F-12-12	HZZ5-90503-D01	FOP-1-7-59
HZY3-91057-003.	F-5-27	HZZ3-87701-R00	FOP-1-6-47	HZZ5-90504-D01	FOP-1-7-60
HZY3-91057-003.	F-5-1-30	HZZ3-87701-R40	FOP-1-4-18	HZZ5-90506-D01	FOP-1-7-61
HZY3-91151-000.	F-5-28	HZZ3-87703-R01	FOP-1-2-24	HZZ5-90507-D01	FOP-1-7-62
HZY3-91151-000.	F-5-1-31	HZZ3-87703-R81	FOP-1-21	HZZ5-90508-D01	FOP-1-7-63
HZY3-91152-003.	F-2-37	HZZ3-91252-003.	F-5-29	HZZ5-90509-D01	FOP-1-7-64
HZY3-91212-003.	E-3-42	HZZ3-91252-003.	F-5-1-32	HZZ5-90651-D01	FOP-1-7-65
HZY3-91251-C01	F-4-27	HZZ3-91252-003.	FOP-12-4	HZZ5-91151-D01	FOP-1-7-66
HZY3-91251-C01	FOP-12-3	HZZ5-06325-600.	FOP-13-1	HZZ5-91152-D01	FOP-1-7-67
HZY3-91254-003.	F-4-28	HZZ5-06325-700.	FOP-13-1	HZZ5-91153-D01	FOP-1-7-68
HZY3-91254-003.	FOP-12-5	HZZ5-06325-800.	FOP-13-1	HZZ5-91154-D01	FOP-1-7-69
HZY3-91255-003.	F-2-39	HZZ5-16901-003.	E-18-1-12	HZZ5-91156-D01	FOP-1-7-70
HZY3-91301-003.	E-4-23	HZZ5-16906-003.	E-18-1-15	HZZ5-91157-D01	FOP-1-7-71
HZY3-91303-000.	E-21-23	HZZ5-16915-000.	E-18-1-19	HZZ5-91501-000.	F-7-10-23
HZY3-91304-000.	E-6-10-37	HZZ5-16918-003.	E-18-1-21		
HZY3-91305-003.	E-6-10-38	HZZ5-16919-003.	E-18-1-23		
HZY3-91306-003.	E-6-10-39	HZZ5-24810-D01	FOP-1-7-2		
HZY3-91356-003.	F-4-30	HZZ5-24811-D01	FOP-1-7-3		
HZY3-91401-A00	E-1-25	HZZ5-24812-D01	FOP-1-7-4		
HZY3-91402-020.	E-1-26	HZZ5-24813-D01	FOP-1-7-5		
HZY3-91403-000.	E-1-27	HZZ5-24814-D01	FOP-1-7-6		
HZY3-91404-000.	E-6-10-40	HZZ5-24815-D01	FOP-1-7-7		
HZY3-91405-000.	E-6-10-41	HZZ5-24816-D01	FOP-1-7-8		
HZY3-91451-000.	F-3-20-51	HZZ5-24817-D01	FOP-1-7-9		
HZY3-91508-000.	E-13-10-10	HZZ5-24818-D01	FOP-1-7-10		
HZY3-91551-000.	F-4-33	HZZ5-24819-D01	FOP-1-7-11		
HZY3-91552-000.	F-3-20-52	HZZ5-24821-D01	FOP-1-7-12		
HZY3-91556-000.	F-8-16	HZZ5-24822-D01	FOP-1-7-13		
HZY3-91560-000.	F-10-71	HZZ5-24823-D01	FOP-1-7-14		
HZY3-91651-003.	F-3-20-54	HZZ5-24824-D01	FOP-1-7-15		
HZY6-16450-003.	E-14-1	HZZ5-24826-D01	FOP-1-7-16		
HZY6-16718-013.	E-18-30	HZZ5-24827-D01	FOP-1-7-17		
HZY6-16723-003.	E-18-32	HZZ5-24828-D01	FOP-1-7-18		
HZY6-19269-000.	E-18-10-17	HZZ5-24828-D01	FOP-1-7-74		
HZY6-24320-000.	F-4-11	HZZ5-24829-D01	FOP-1-7-19		
HZY6-24320-610.	F-4-11	HZZ5-24831-D01	FOP-1-7-20		
HZY6-32371-004.	F-7-20-2	HZZ5-24832-D01	FOP-1-7-21		
HZY6-32414-640.	F-7-10-6	HZZ5-24833-D01	FOP-1-7-22		
HZY6-36135-003.	E-18-10-18	HZZ5-24845-D01	FOP-1-7-23		
HZY6-38235-004.	F-7-20-4	HZZ5-24850-D01	FOP-1-7-24		
HZY6-39794-003.	F-7-20-6	HZZ5-24855-D01	FOP-1-7-25		
HZY6-90103-000.	F-3-12	HZZ5-24875-D01	FOP-1-7-26		
HZY6-90103-000.	F-10-38	HZZ5-24876-D01	FOP-1-7-27		
HZY6-90135-004.	F-7-20-8	HZZ5-24878-D01	FOP-1-7-28		
HZY6-91553-000.	F-3-20-52	HZZ5-24883-D01	FOP-1-7-29		
HZY9-17315-000.	E-15-8	HZZ5-32185-600.	FOP-13-2		
HZY9-30419-003.	E-20-1	HZZ5-32185-700.	FOP-13-2		
HZY9-30419-003.	E-20-10-2	HZZ5-32185-800.	FOP-13-2		
HZY9-30419-003.	F-7-10-1	HZZ5-32530-000.	FOP-1-6-34		
HZY9-31207-H01	E-21-3	HZZ5-32530-D01	FOP-1-7-30		
HZY9-31226-H01	E-21-21	HZZ5-32545-000.	FOP-7-6		
HZY9-31229-H01	E-21-8	HZZ5-32545-000.	FOP-7-1-4		
HZY9-31246-H01	E-21-15	HZZ5-32580-600.	FOP-13-3		
HZY9-32103-000.	F-7-10-2	HZZ5-32580-700.	FOP-13-3		
HZY9-38553-003.	E-20-10-6	HZZ5-32580-800.	FOP-13-3		
HZY9-56115-003.	F-11-52	HZZ5-32580-D01	FOP-13-3		
HZY9-90017-000.	E-15-20	HZZ5-32580-D11	FOP-13-3		
HZY9-90105-000.	E-20-4	HZZ5-32580-D21	FOP-13-3		
HZZ0-56539-C00	F-10-33	HZZ5-35370-D02	FOP-1-7-34		
HZZ0-90101-000.	F-3-11	HZZ5-35701-D01	FOP-1-7-36		
HZZ3-06240-R30	FOP-1-1	HZZ5-37210-013.	FOP-1-6-44		
HZZ3-06240-R40	FOP-1-4-1	HZZ5-37210-712.	FOP-7-1-11		
HZZ3-06240-R60	FOP-1-2-1	HZZ5-37210-762.	FOP-7-14		
HZZ3-06323-R20	FOP-7-1	HZZ5-37210-D01	FOP-1-7-39		
HZZ3-06323-R30	FOP-7-1-1	HZZ5-38414-003.	FOP-7-17		
HZZ3-06328-763.	FOP-10-1	HZZ5-38414-003.	FOP-7-1-14		
HZZ3-24800-P12.	FOP-1-7-1	HZZ5-87701-D00	FOP-1-7-42		
HZZ3-24800-R00	FOP-1-6-1	HZZ5-87702-A00	FOP-1-7-43		
HZZ3-24820-R11	FOP-1-13	HZZ5-87702-A00	FOP-1-7-72		
HZZ3-24820-R21	FOP-1-2-14	HZZ5-87703-P00.	FOP-1-7-44		
HZZ3-24830-R41	FOP-1-4-11	HZZ5-87704-D01	FOP-1-7-45		
HZZ3-32101-000.	E-20-10-3	HZZ5-90101-D01	FOP-1-7-46		
HZZ3-32127-000.	F-7-2	HZZ5-90102-D01	FOP-1-7-47		
HZZ3-32341-R31	FOP-7-3	HZZ5-90103-D01	FOP-1-7-48		
HZZ3-32346-R21	FOP-7-4	HZZ5-90104-D01	FOP-1-7-49		
HZZ3-32346-R31	FOP-7-1-3	HZZ5-90106-D01	FOP-1-7-50		
HZZ3-32347-R01	FOP-7-5	HZZ5-90107-D01	FOP-1-7-51		
HZZ3-35100-R11	FOP-1-6-38	HZZ5-90108-D01	FOP-1-7-52		
HZZ3-35100-R11	FOP-1-7-33	HZZ5-90109-D01	FOP-1-7-53		
HZZ3-35100-R11	FOP-7-9	HZZ5-90301-D01	FOP-1-7-54		

Note

Note



TOHATSU CORPORATION

**Address : 5-4,3-chome,Azusawa,Itabashi-ku,
TOKYO,174-0051 JAPAN**

Phone : TOKYO (03)3966-3117

FAX : TOKYO (03)3966-0090

Website : www.tohatsu.co.jp

**2017
PARTS CATALOG**

BFT 250A